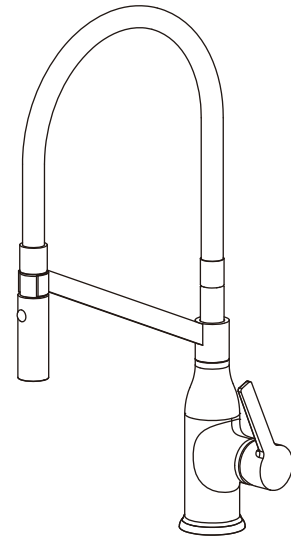


INSTALLATION INSTRUCTIONS

ST1100CH/ST1100MB

Single-lever kitchen mixer

stufurhome



Important

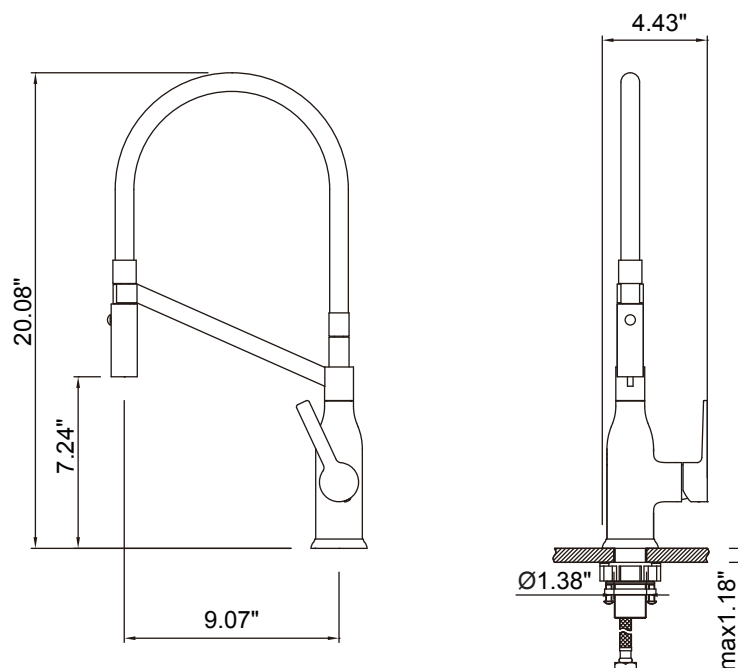
- We recommend that this product is installed by a qualified professional contractor.
- Please check this product immediately to ensure that it has not been damaged and is complete. Before installation, please make sure this product is the correct model and you have all the parts required for installation and using.
- Please flush the water system to ensure that no metal swarf, solder, and other impurities can enter the taps.
- Turn off water supply before commencing work, this should be done at the isolating valves of inlet feeds if fitted or main stopcock.
- Please read these instructions carefully and keep it for future reference.

Maintenance

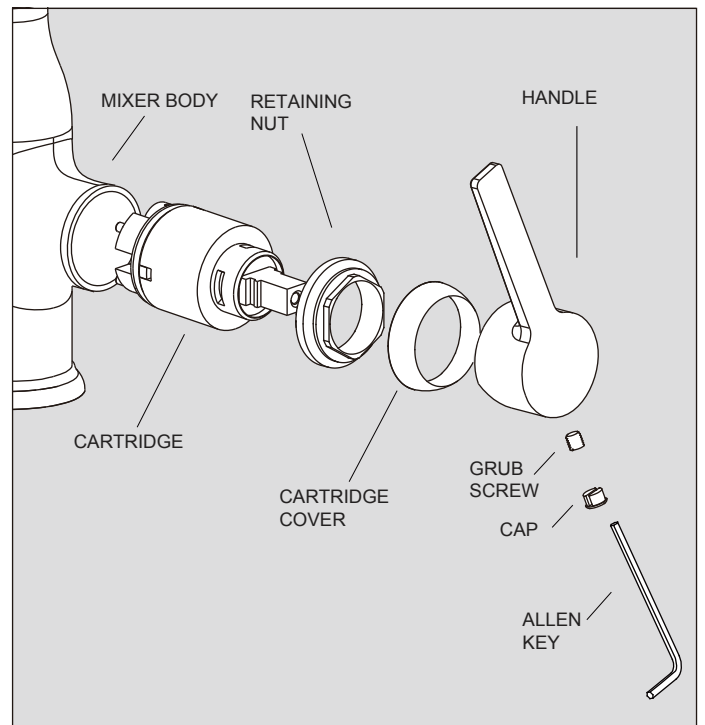
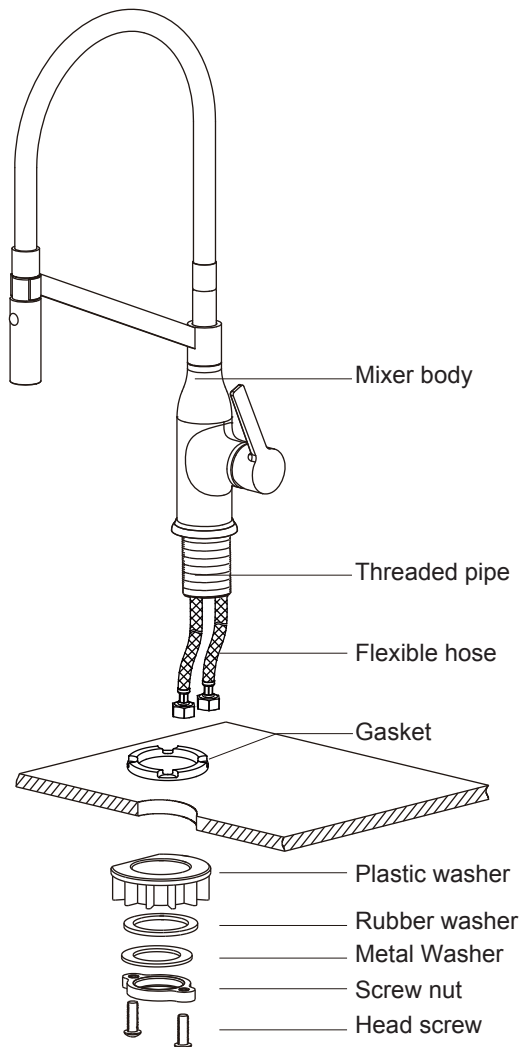
We do NOT recommend you use any household cleaners to clean the product. Because these cleaners change substance or formula too frequently. The product should be always cleaned only with soapy water and rinsed with clean water and dried with a soft cloth.

Dimensions

Unit: inches



Installation



To remove the cartridge.

⚠ First shut off the water supply to the tap.

- 1: Pull out the cap from the handle.
- 2: Loosen the grub screw in handle, but do not remove it.
- 3: Take off the handle, unscrew the cartridge cover.
- 4: Using a correct size spanner unscrew the retaining nut.
- 5: Pull the cartridge and wash it with clean running water.
- 6: Dry and lightly grease the seals (only use silicone grease)
- 7: Replace them in turn.

1. Fit the gasket in the underside of the mixer body.
2. Screw the flexible hose into the correct hole of the mixer body and fully hand tighten.
3. Pass the tail of flexible hose and threaded pipe through the hole from the counter above, place the plastic washer, rubber washer, metal washer and screw nut orderly, and securely tighten with head screws.