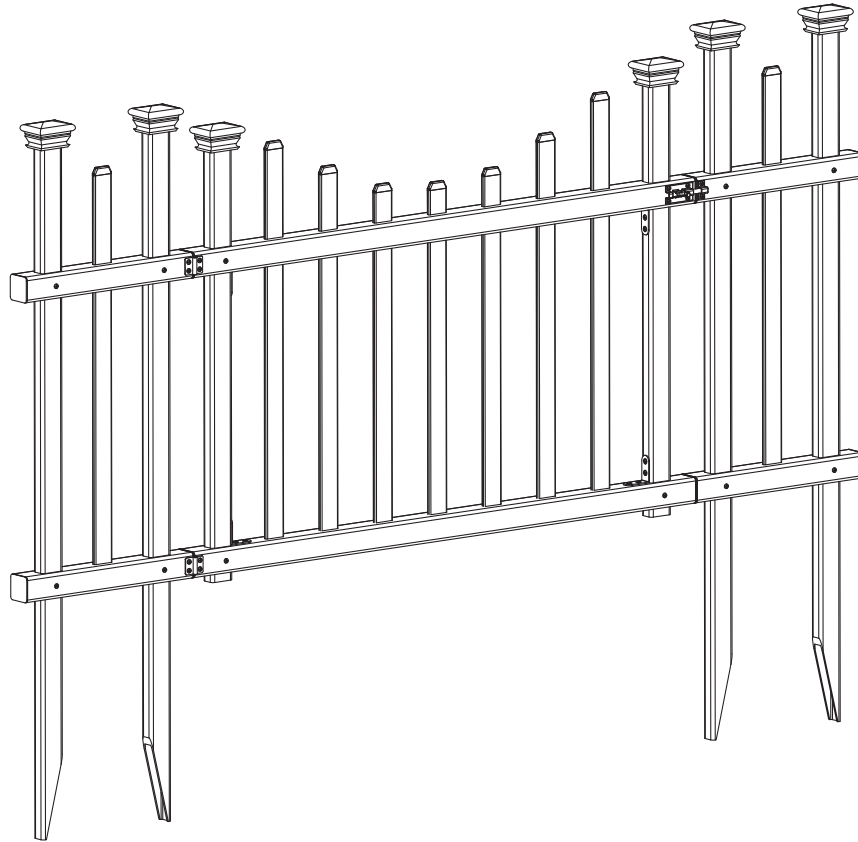




ASSEMBLY INSTRUCTIONS



WASHINGTON VINYL GATE KIT WITH FENCE WINGS (30in H x 60 1/2in W)

45 MIN approximate assembly
time



6935 Reames Rd. Ste. K. Charlotte, NC 28216



support@zippity-outdoor.com



704-892-5222 / 877-234-6196



zippity-outdoor.com

GENERAL INFORMATION



IMPORTANT

- Please read through before starting assembly.
- Important: Check the inside of the larger pieces in your box for other materials packed inside.
- When assembling components, place on a non-abrasive surface (i.e. shipping box) to avoid scratching.
- We recommend an area approx 5'x 8' for unobstructed assembling.
- You should not need to use excessive force when assembling components.

MISSING OR DAMAGED PARTS?

CALL US FIRST SO WE CAN HELP YOU RIGHT AWAY!

Although great care has been taken to ensure proper packaging and handling of this product, occasionally problems occur. If you discover any missing, damaged or defective parts, please contact our customer service department.



EMAIL: support@zippity-outdoor.com



PHONE: 704-892-5222 / 877-234-6196

Customer service agents are available to take calls weekdays from 8am-5pm EST.

To help you quickly and accurately, please have reference item number [ZP19049](#) and the specific part name which can be found on the next page. It is helpful if you can provide the batch lot which is a stamped number on the end of the box.

NEED ASSEMBLY HELP?

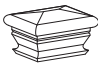
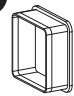
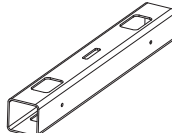
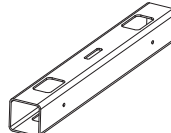
If you are having problems with the assembly or installation of this product, we are happy to assist you with the process, so please give us a call at 704-892-5222 / 877-234-6196.

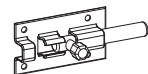

NEED TO RETURN?



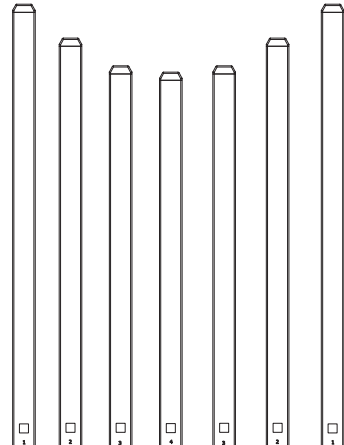
If for some reason you need to return this product, please allow us to help resolve your issues first. If you still decide to return the product, you will need to initiate the return from the company you originally purchased from.

STEP 1: LAY OUT MATERIALS

▼ WASHINGTON VINYL PICKET GATE KIT W/FENCE WINGS

<p>A</p>  <p>Post Caps (4)</p>	<p>B</p>  <p>Rail End Caps (12) <i>(10 are installed, 2 are loose)</i></p>	<p>C</p>  <p>Horizontal Top Rail (2) - $1\frac{1}{2}'' \times 1\frac{1}{2}'' \times 12''$</p>	<p>D</p>  <p>Horizontal Bottom Rail (2) - $1\frac{1}{2}'' \times 1\frac{1}{2}'' \times 12''$</p>
---	--	--	--

<p>J</p>  <p>Latch Finger (1)</p>	<p>K</p>  <p>Latch Catch (1)</p>
---	--

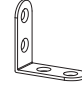
<p>E</p>  <p>Gate Post (2) - $\frac{7}{8}'' \times 1\frac{1}{2}'' \times 26\frac{1}{2}''$</p>	<p>F</p>  <p>Post (4) - $\frac{7}{8}'' \times 1\frac{1}{2}'' \times 41\frac{1}{4}''$</p>	<p>G</p>  <p>Picket #1 (4) - $\frac{1}{4}'' \times 1\frac{1}{4}'' \times 24\frac{1}{2}''$ Picket #2 (2) - $\frac{1}{4}'' \times 1\frac{1}{4}'' \times 22\frac{1}{2}''$ Picket #3 (2) - $\frac{1}{4}'' \times 1\frac{1}{4}'' \times 21\frac{1}{4}''$ Picket #4 (1) - $\frac{1}{4}'' \times 1\frac{1}{4}'' \times 20\frac{3}{4}''$</p>
---	--	---

L



Hinges (2)

M



Corner Bracket (4)

N



$\frac{3}{4}''$ Stainless Steel Screws (39)
(Bag A)

O



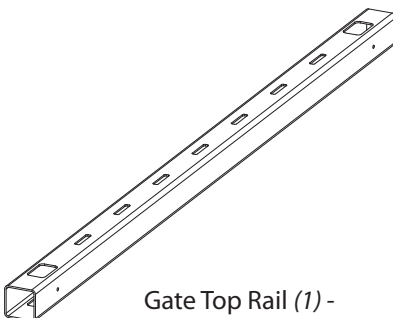
$\frac{1}{2}''$ Small Black Screws (14)
(Bag B)

P



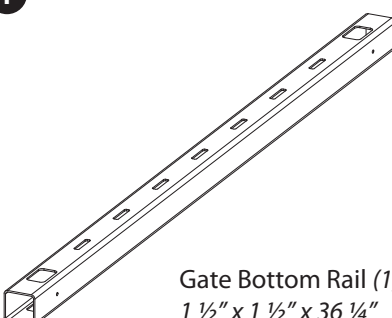
$\frac{1}{4}''$ Drill Bit (1)

H



Gate Top Rail (1) -
 $1\frac{1}{2}'' \times 1\frac{1}{2}'' \times 36\frac{1}{4}''$

I



Gate Bottom Rail (1) -
 $1\frac{1}{2}'' \times 1\frac{1}{2}'' \times 36\frac{1}{4}''$

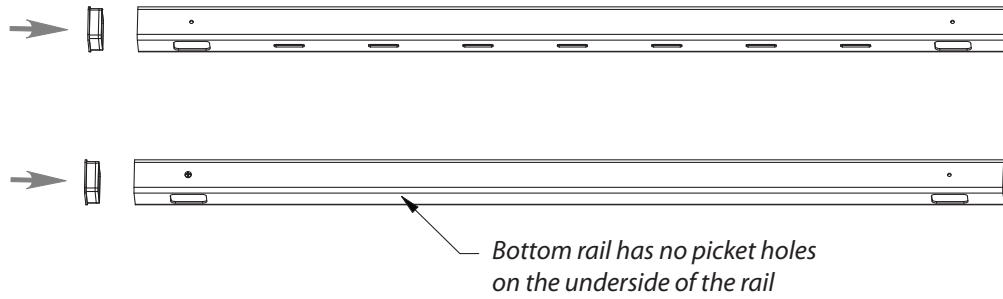
TOOLS YOU WILL NEED



STEP 2: ASSEMBLE THE GATE FRAME

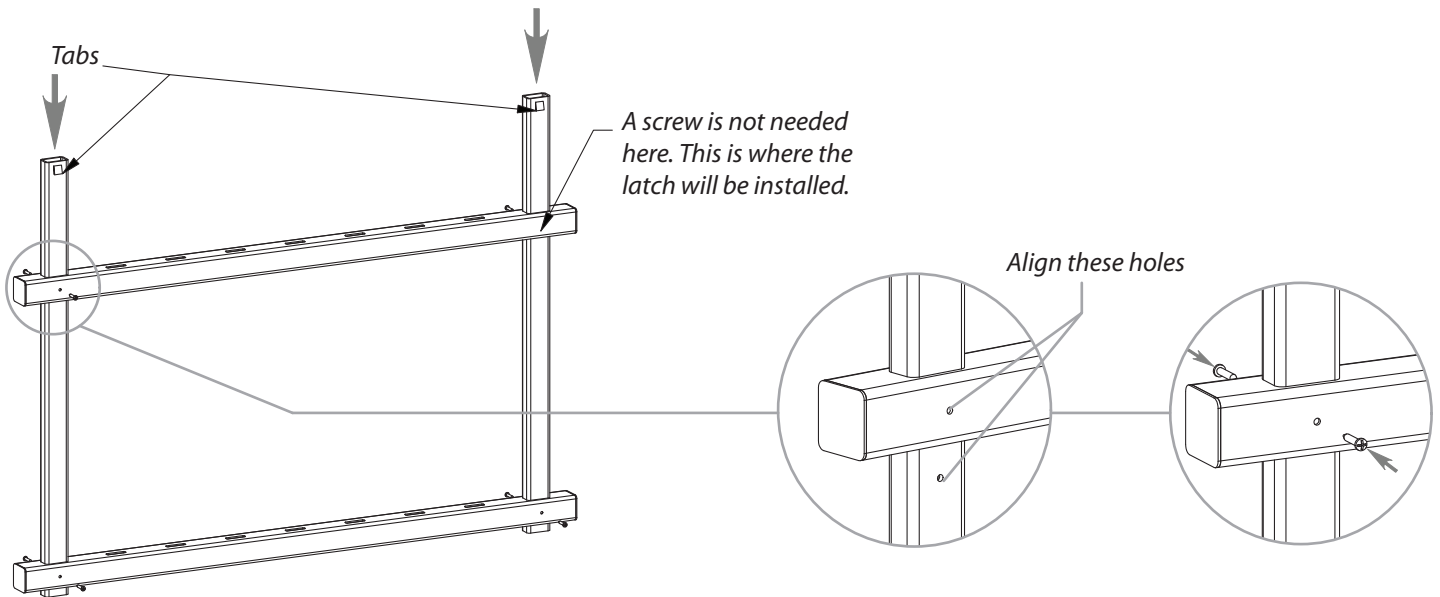
STEP 2.1

Identify the gate top rail (Part H) and gate bottom rail (Part I) as shown below. Pressure fit two rail end caps (Part B) onto the ends of the rails.



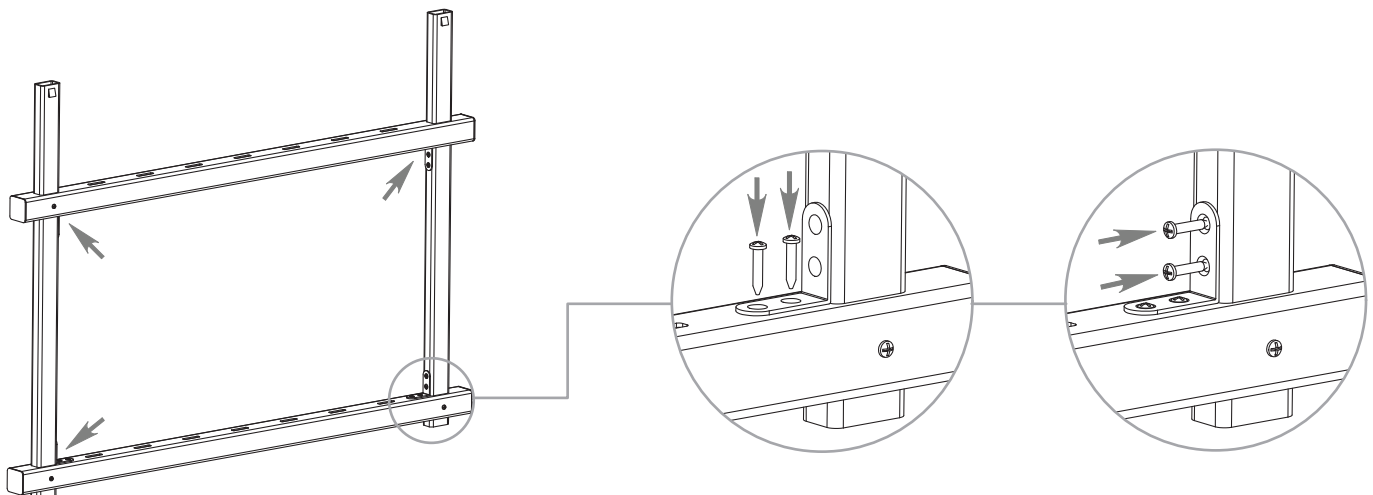
STEP 2.2

Slide the two gate posts (Part E) down into the gate rails with the post tabs at the top. Align the pre-drilled holes in the posts and on the rails. Fasten the post to the rails with seven $\frac{3}{4}$ " screws (Part N)



STEP 2.3

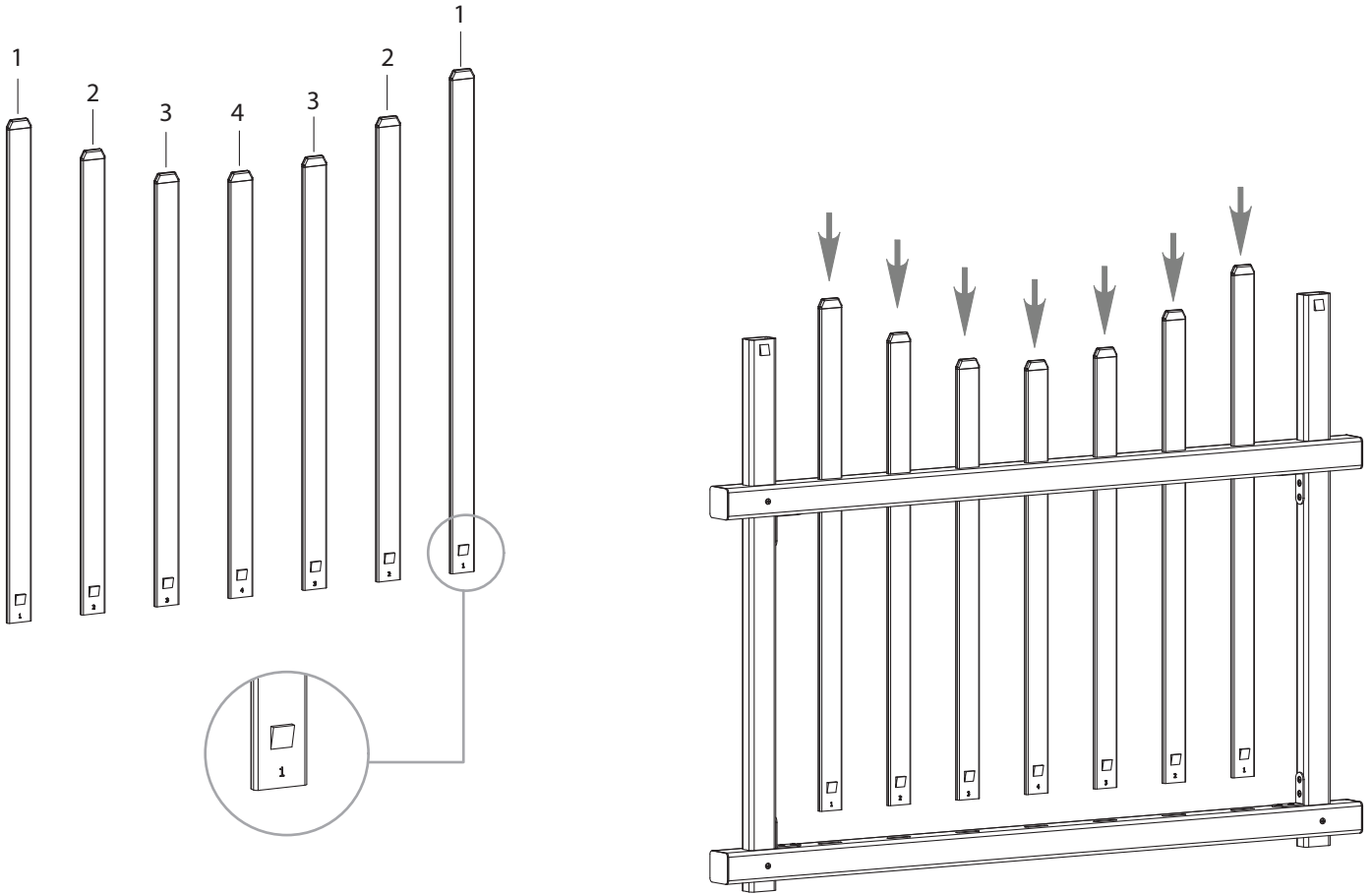
Starting with one inside corner, place a corner bracket (Part M) against the gate rail and gate post as shown below. Fasten two $\frac{3}{4}$ " screws into the gate rails. Next, fasten two $\frac{3}{4}$ " screws into the gate post. Repeat this process for the other three internal corners.



STEP 3: INSTALL PICKETS AND CAPS

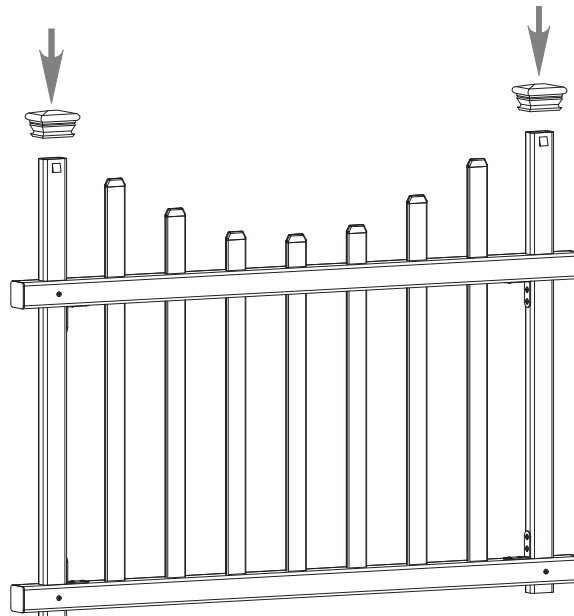
STEP 3.1

Layout the pickets (Part G) as shown below. The pickets are numbered 1-4 at the bottom. Insert the pickets through the top and bottom gate rail. The tab of the picket will snap into the gate bottom rail when fully inserted.



STEP 3.2

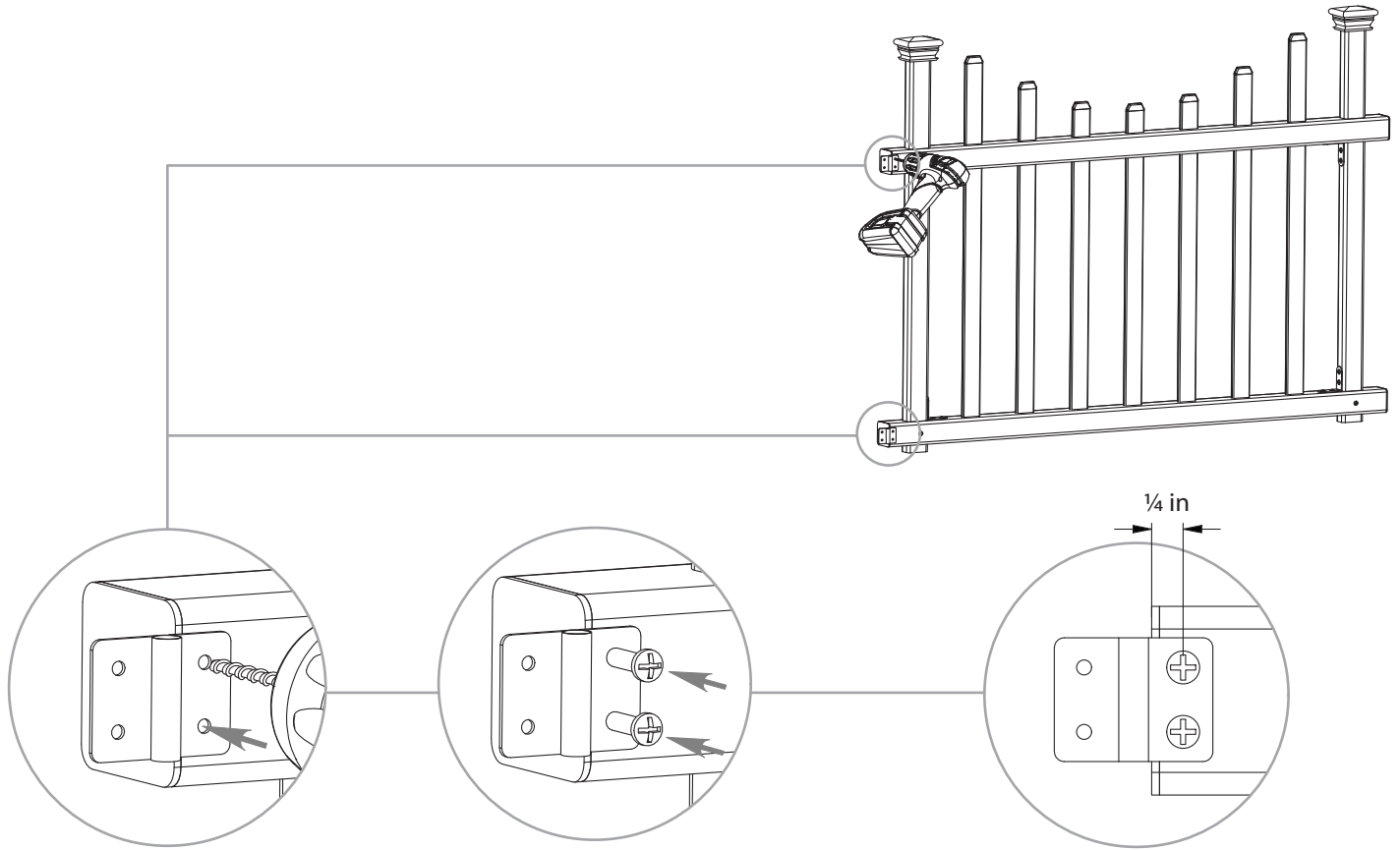
Pressure fit the two post caps (Part A) down over the gate posts. The post caps will lock into place when fully inserted.



STEP 4: ATTACH HINGE AND LATCH

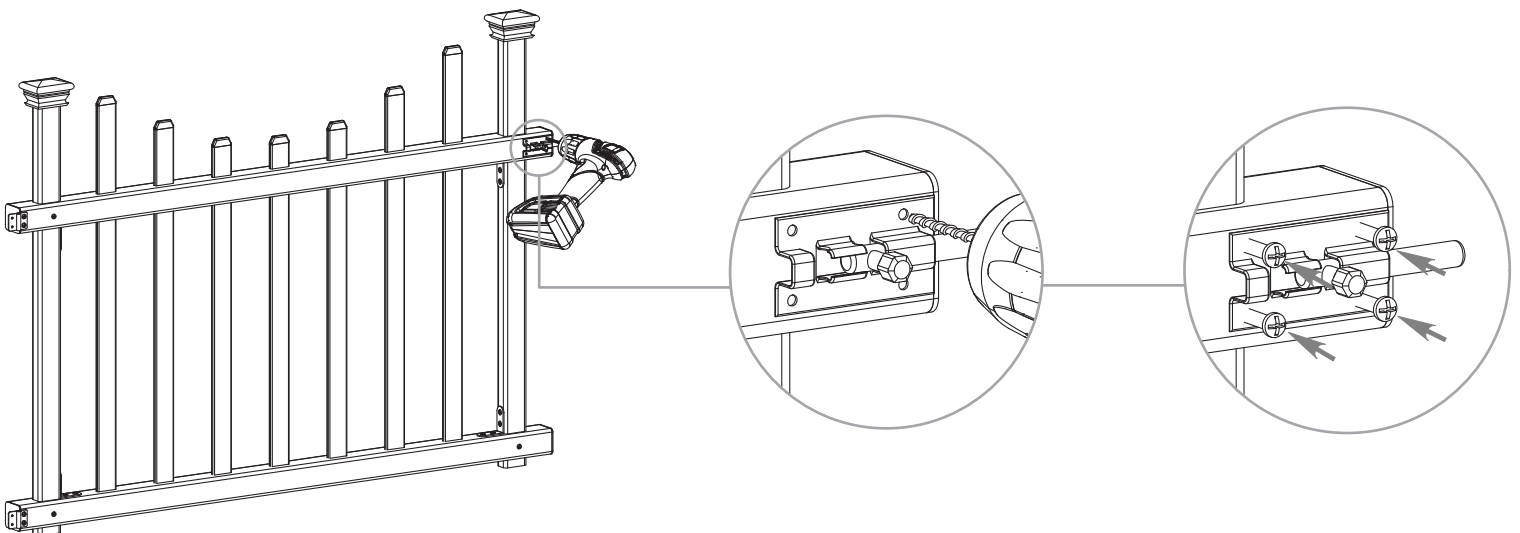
STEP 4.1

Align the hinges (Part L) on the top and bottom gate rails as shown. Pre-drill two holes on the face of each rail as shown. The holes should be roughly $\frac{1}{4}$ " from the edge of the gate rails. Fasten each hinge with two $\frac{1}{2}$ " small black screws (Part O).



STEP 4.2

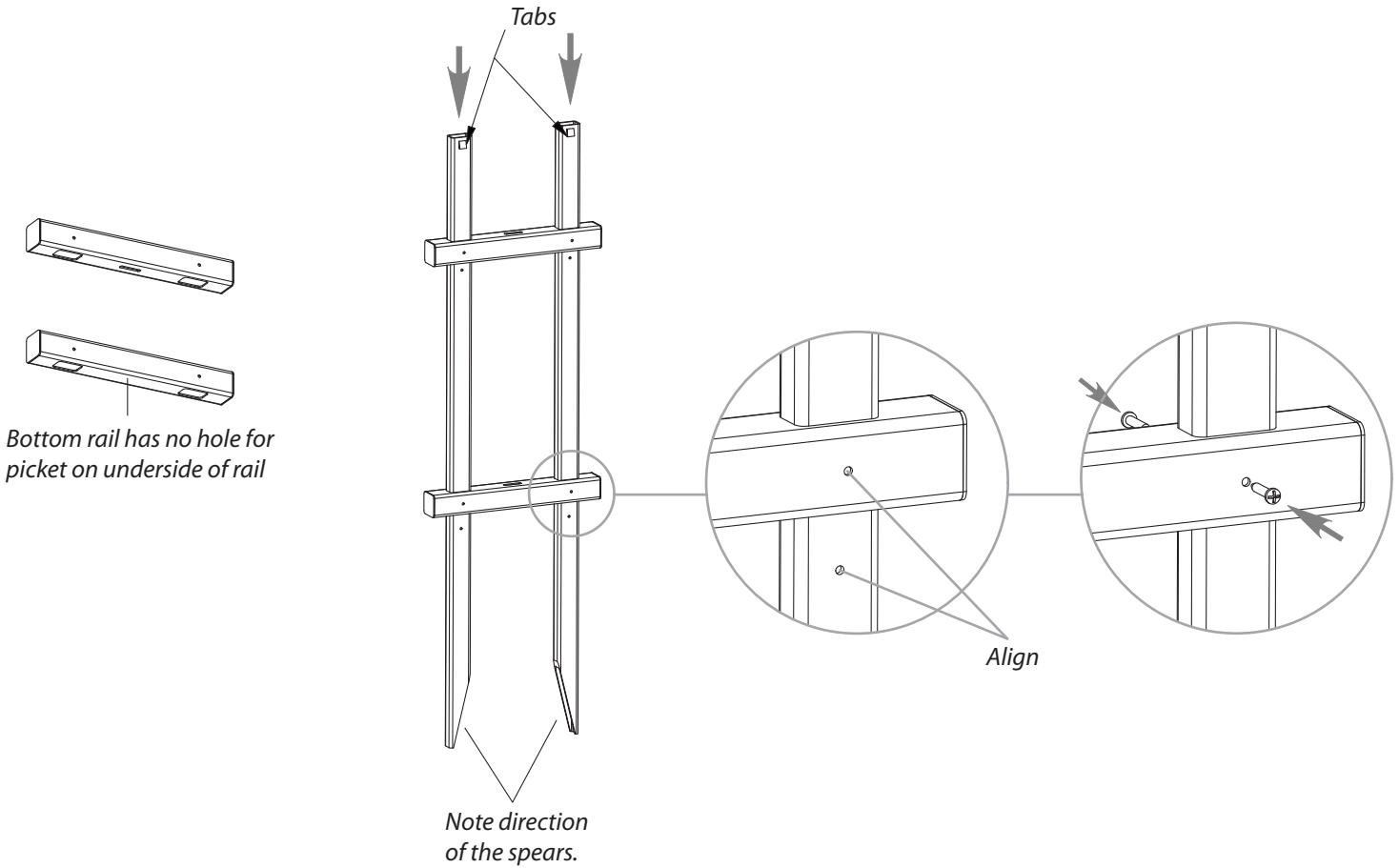
Align the latch finger (Part J) to the top gate rail and pre-drill four holes into the gate rail as shown. Fasten four $\frac{1}{2}$ " small black screws to lock the latch finger in place.



STEP 5: ASSEMBLE THE GATE WINGS

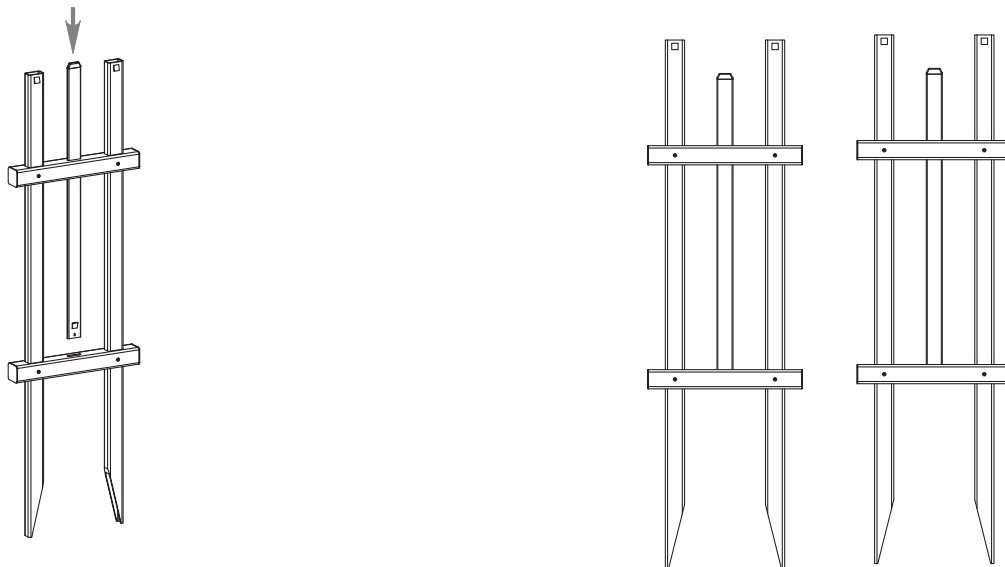
STEP 5.1

Identify the horizontal top rail (Part C) and horizontal bottom rail (Part D) as shown below. Orient the posts (Part F) as shown. Slide the two posts down into the top rail and bottom rail. Align the pre-drilled holes on the posts and the rails and fasten eight total $\frac{3}{4}$ " screws (Part N) into the holes.



STEP 5.2

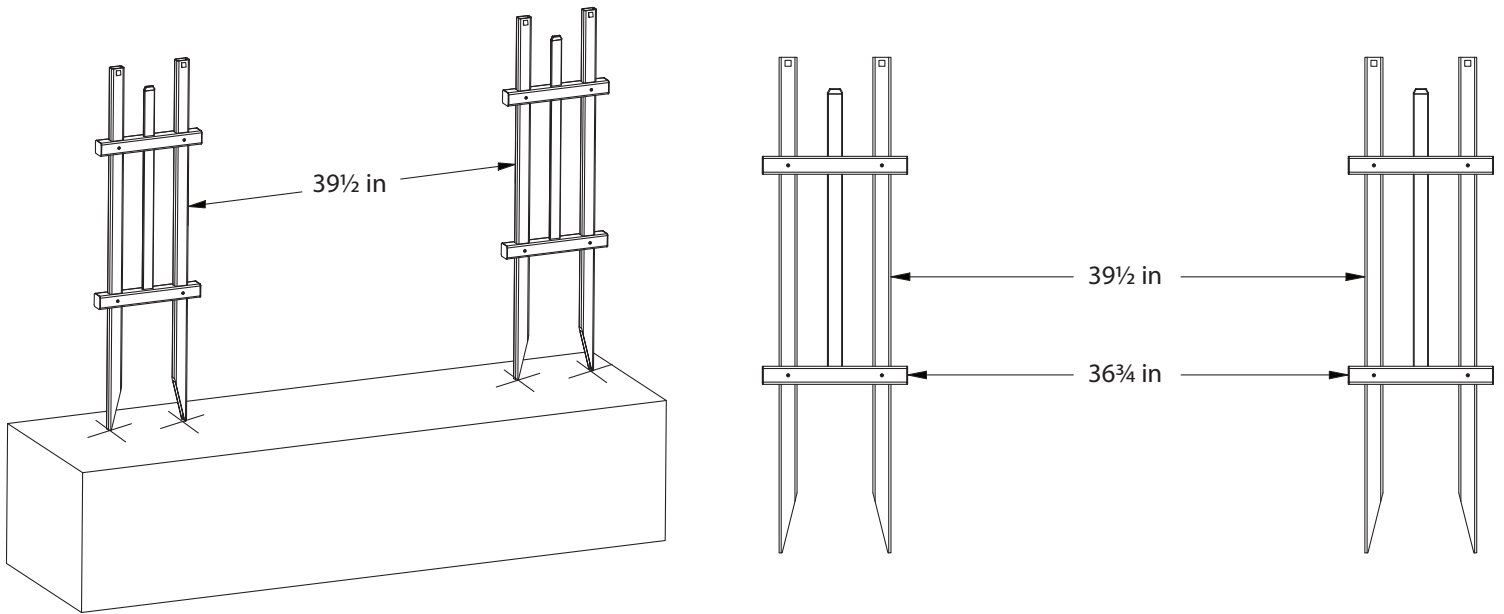
Insert a picket (numbered 1) down through the top rail and into the bottom rail. Repeat Step 5 to assemble the second gate wing.



STEP 6: INSTALL GATE WINGS INTO GROUND

STEP 6.1

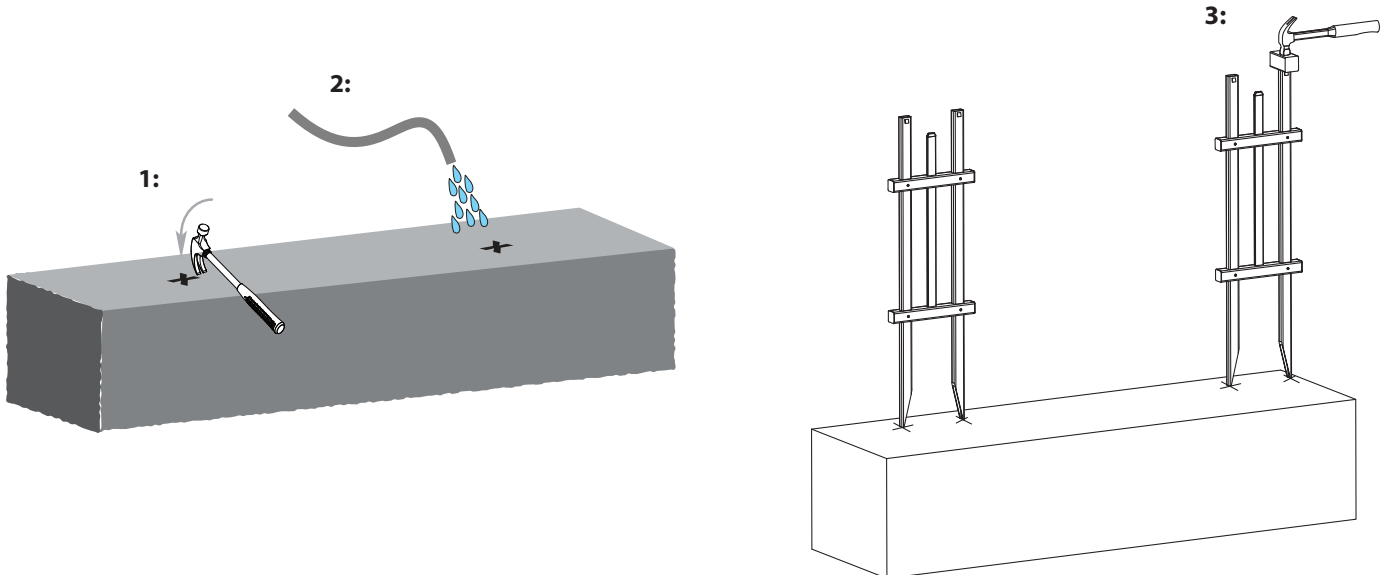
Move the gate wings to their final location and identify the location of the posts. The distance between the vertical posts should be $39\frac{1}{2}$ " or $36\frac{3}{4}$ " between the ends of the horizontal rails as shown below.



STEP 6.2

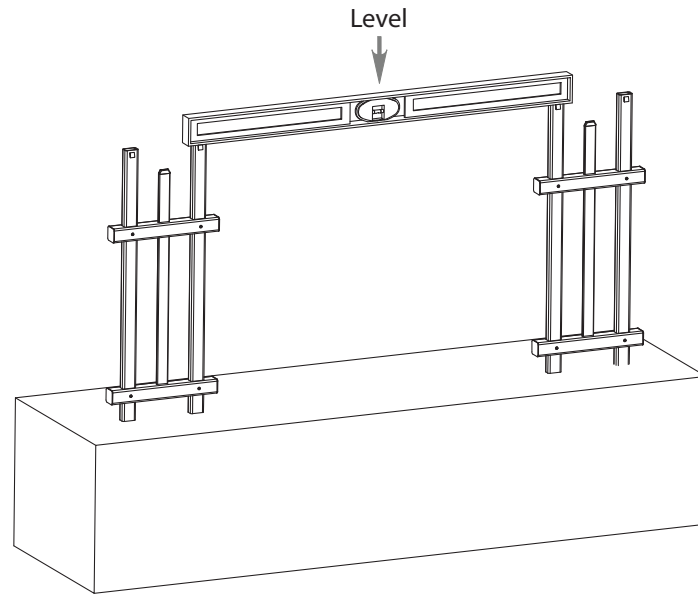
Attempt to push the posts into the ground at the marked locations. If your ground is too hard, follow these steps illustrated below:

1. Loosen the top 6" to 8" of the ground using a claw hammer or similar tool.
2. Add water to soften the soil.
3. Use a block of wood to protect the top of the post and gently hammer each post into the ground equally until the bottom rails are roughly 2" above the ground.



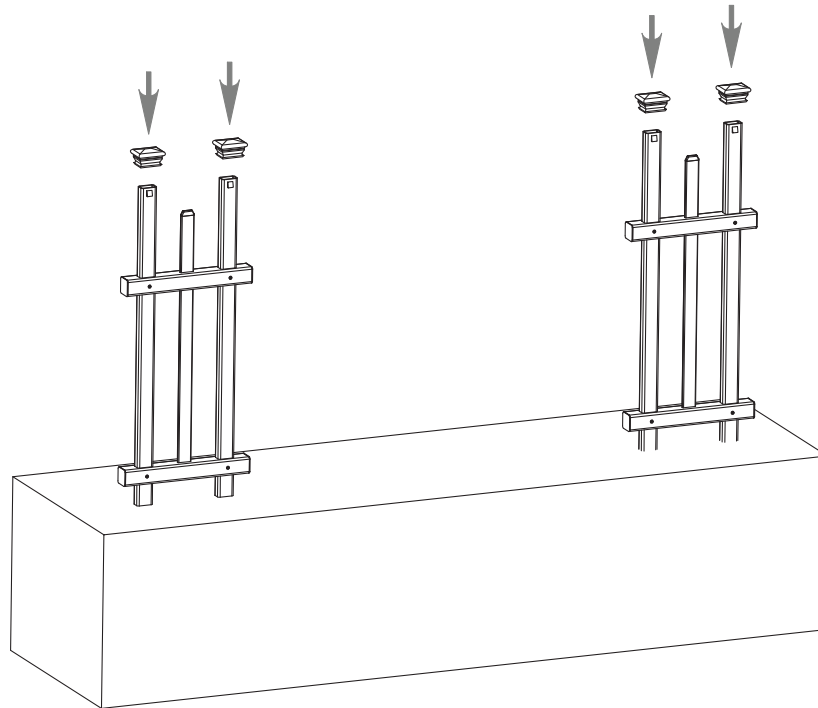
STEP 6.3

Level the assembled unit. Backfill and compact dirt around the base of each post to strengthen the unit.



STEP 6.4

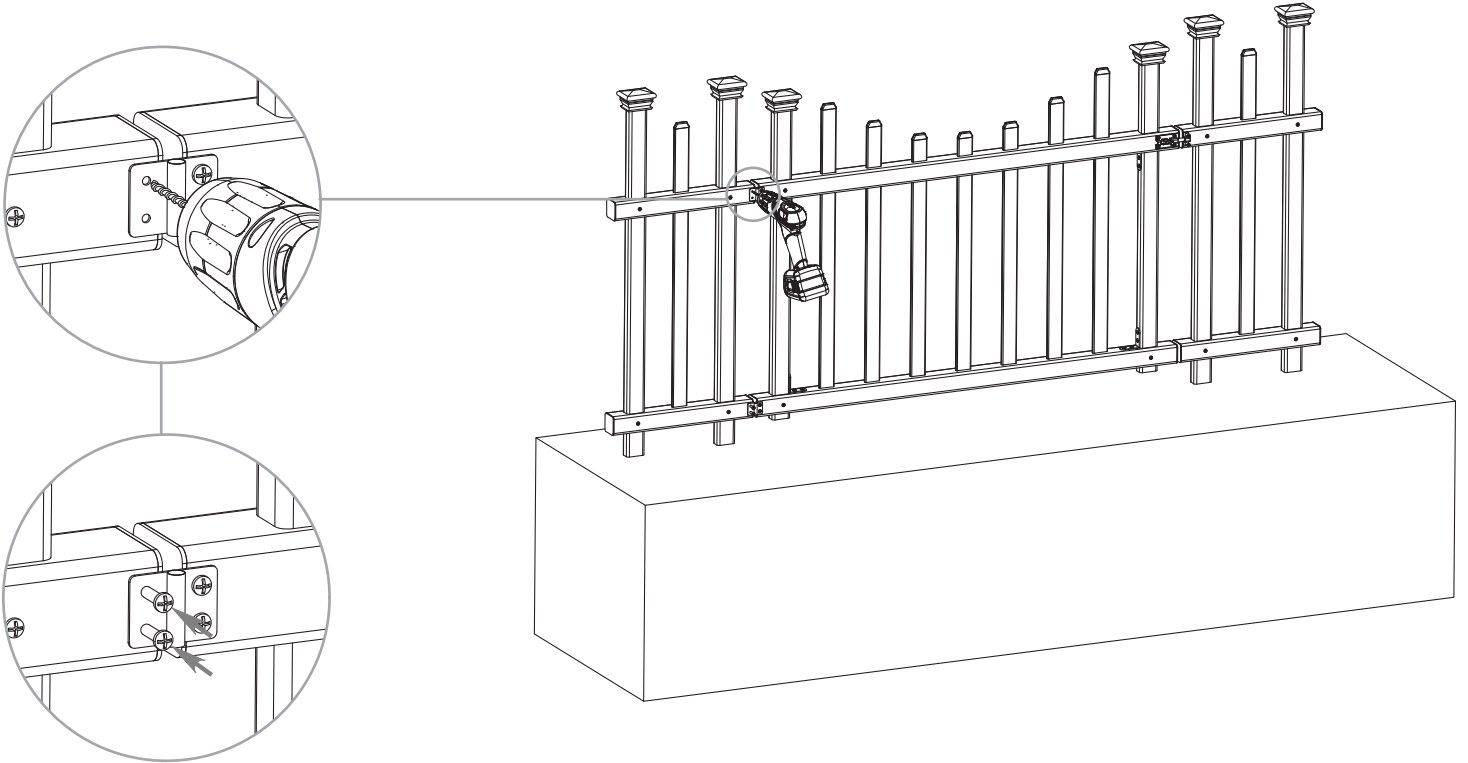
Finish the assembly by pushing the post caps (Part A) down over the top of posts as illustrated. The post caps will lock into place.



STEP 7: INSTALL GATE HARDWARE

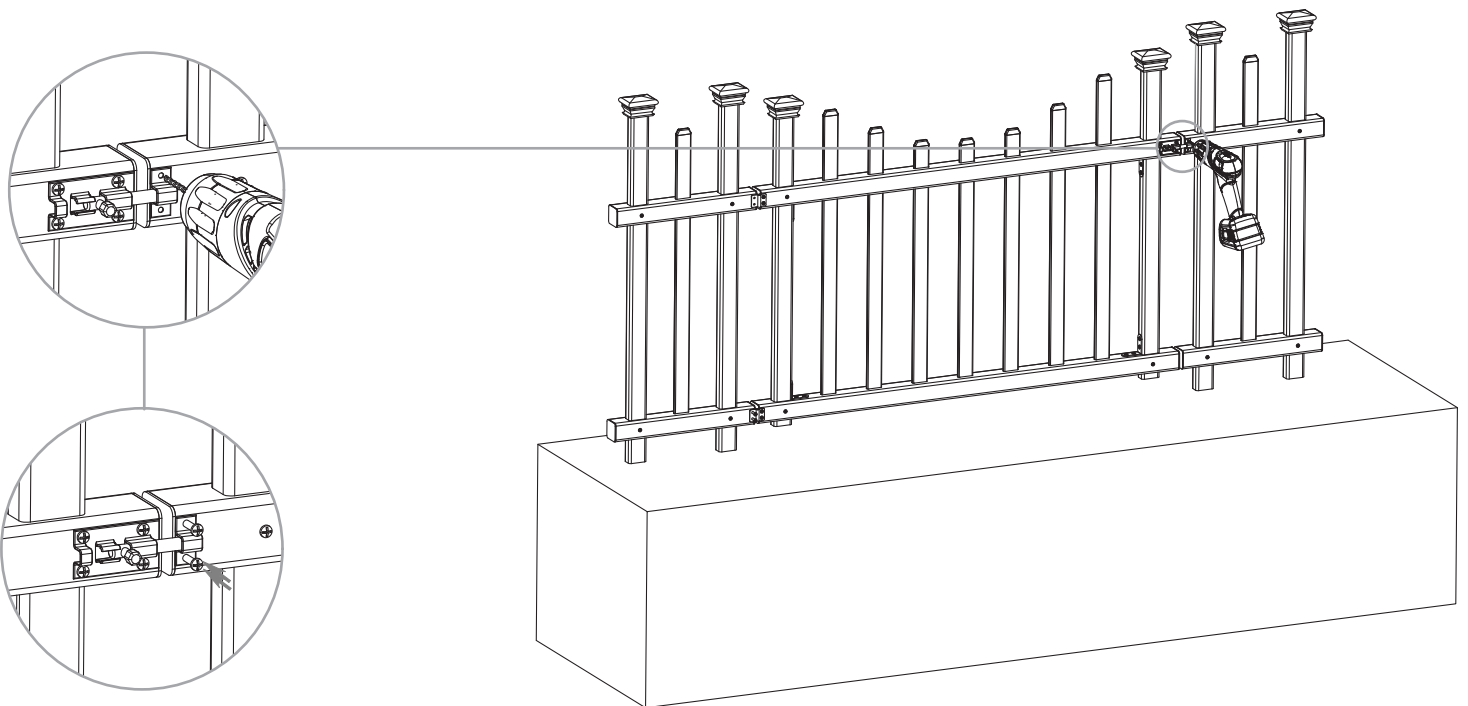
STEP 7.1

Align the gate hinges against the horizontal rails of the gate wing as shown. Mark and pre-drill two holes for each hinge. Fasten each hinge with two ½" small black screws (Part O).



STEP 7.2

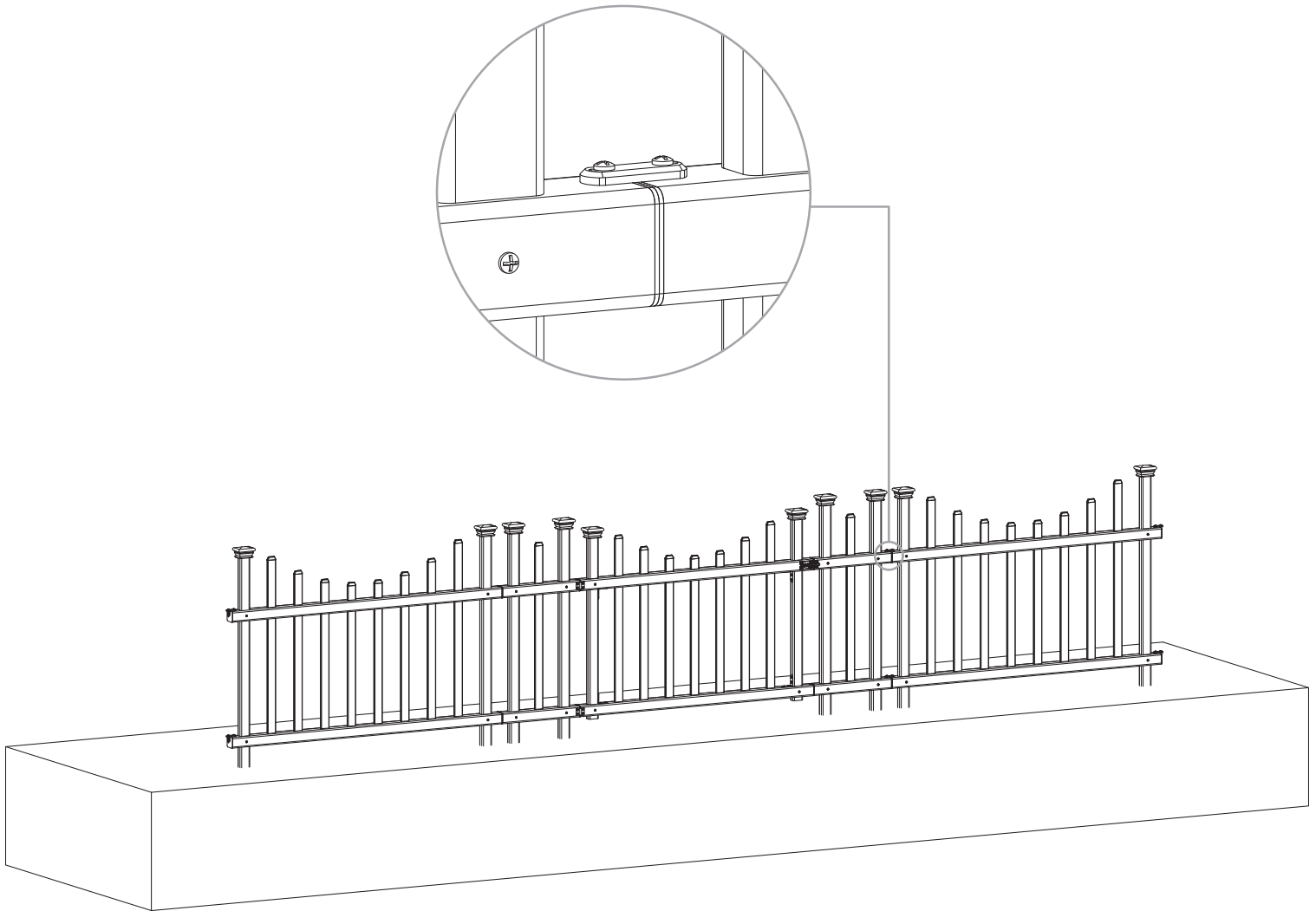
Align the latch catch (Part K) with the latch finger and pre-drill two holes into the horizontal top rail of the gate wing. Fasten two ½" small black screws into the horizontal top rail to secure the latch catch.



STEP 8: CONNECT GATES TO FENCE PANELS

STEP 8.1

Follow the instructions included in your Washington Picket Fence Kit. Connect the top and bottom rails of the gate and fence panels using the supplied joiner clips in the Washington Picket Fence Kit.



6935 Reames Rd. Ste. K. Charlotte, NC 28216



support@zippity-outdoor.com



704-892-5222 / 877-234-6196



zippity-outdoor.com