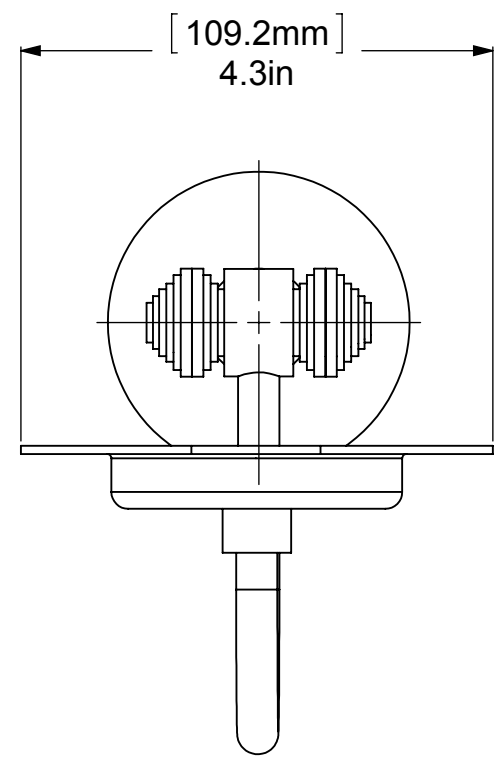
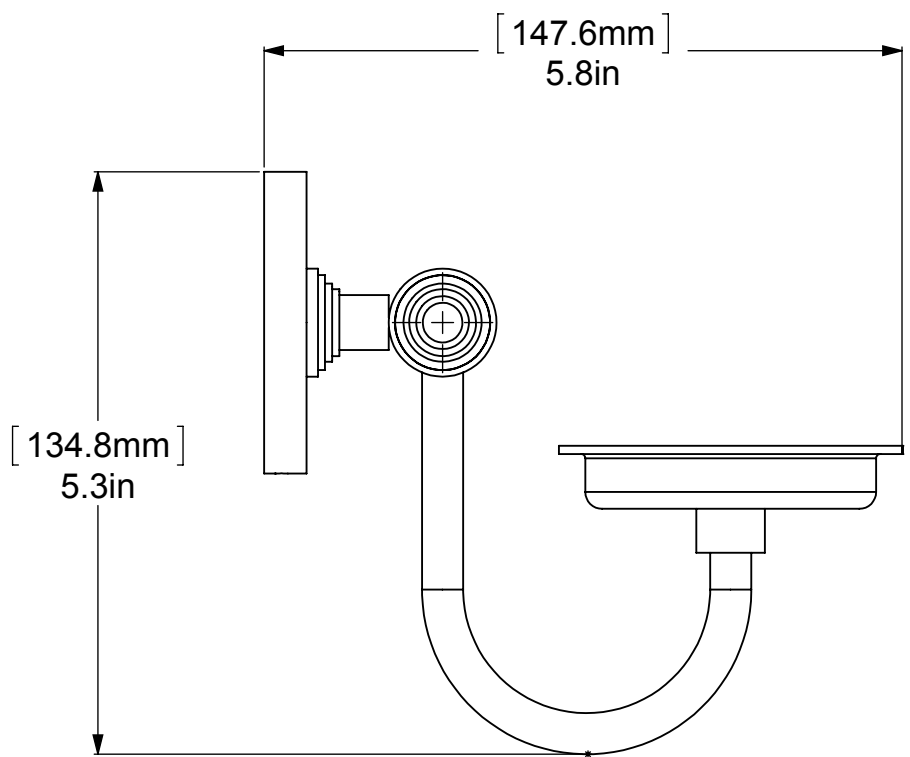
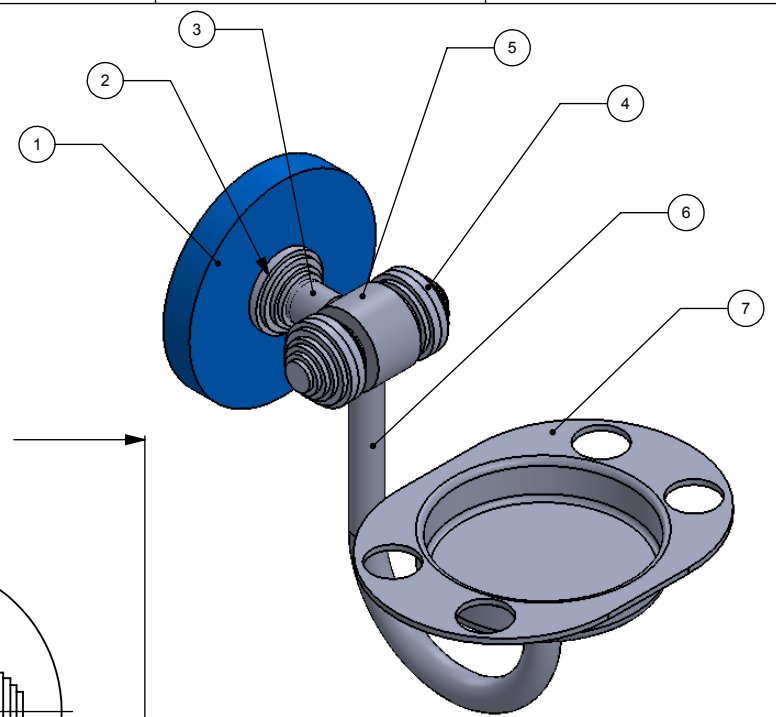


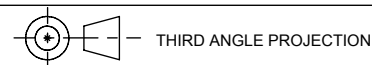
ITEM NO.	P/N	Description	QTY.
1	BPRD	BACKPLATE	1
2	RGNY-1	SUPPORT	3
3	TU12-.75	TUBE	3
4	CANY-1	CAP	2
5	HB1T-1	HUB	1
6	HRVT	PIPE TUBE	1
7	HROVT	TUB	1



UNLESS OTHERWISE STATED

.X	$\pm .3\text{mm}$
.XX	$\pm .15\text{mm}$
.XXX	$\pm .008\text{mm}$

COPYRIGHT © Allied Brass 2016



DRAWN	2/8/2016	I.M
CHECKED	2/8/2016	P.D
APPROVED	2/8/2016	R.A

MATERIAL:	BRASS	
DESCRIPTION:	SOAP DISH	

FINISH	TBD
QUANTITY	TBD
DRAWING No.	REV
SB-26	0
SCALE	1:1.75
SHEET: 01	A4