

# ASSEMBLY INSTRUCTIONS | COLLINA BED



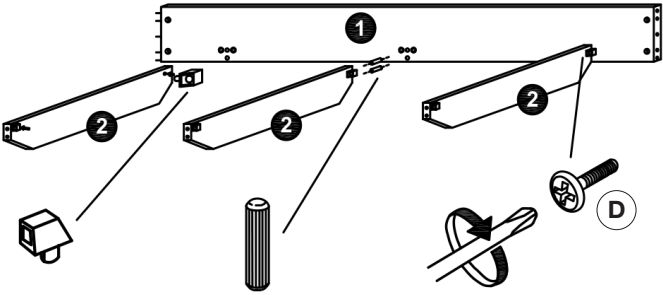
**IMPORTANT:** This unit requires at minimum 2 people to assemble

LEGEND	
1	Side Rails
2	Crosspieces
3	Footboard
4	Under Headboard
5	Headboard

PARTS CHECKLIST		
A		Wooden Dowels (24 pcs)
B		Cams (8 pcs)
C		Pins (8 pcs)
D		Screws TBL 4MA (6 pcs)
E		Cams for TBL 4MA (6 pcs)
F		Screws TBL 6MA (18 pcs)
G		Screws TBL 4x50 (4 pcs)

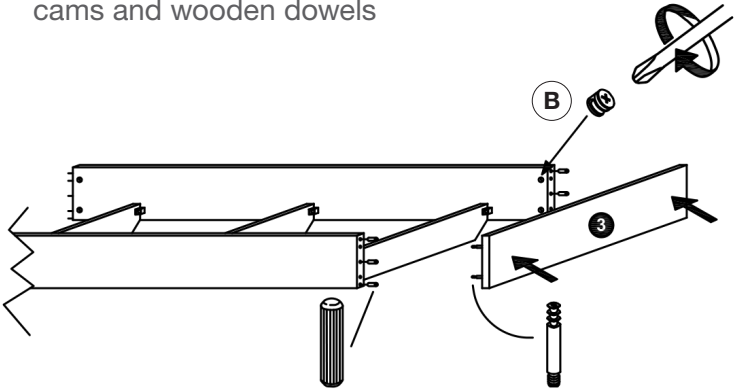
## Step 1

Fit the slat supports to the side rails.



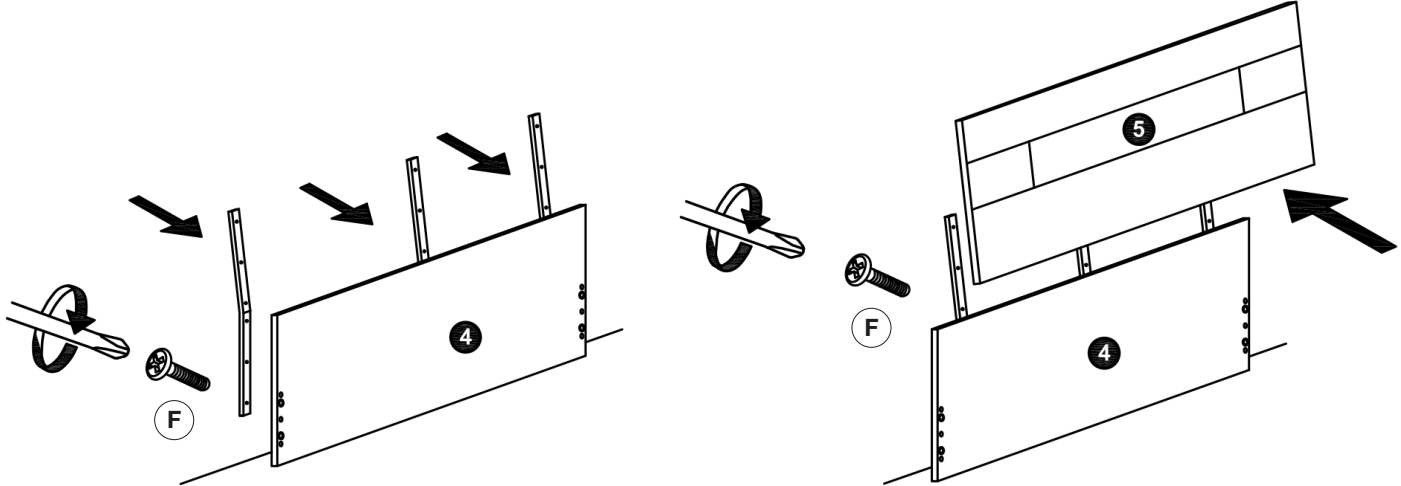
## Step 2

Assemble the footboard, using the pins, cams and wooden dowels



## Step 3

Fit the iron bars first on the under headboard and the on the headboard, using the screws 6MA



# ASSEMBLY INSTRUCTIONS | COLLINA BED

MADE IN ITALY

**IMPORTANT:** This unit requires at minimum 2 people to assemble

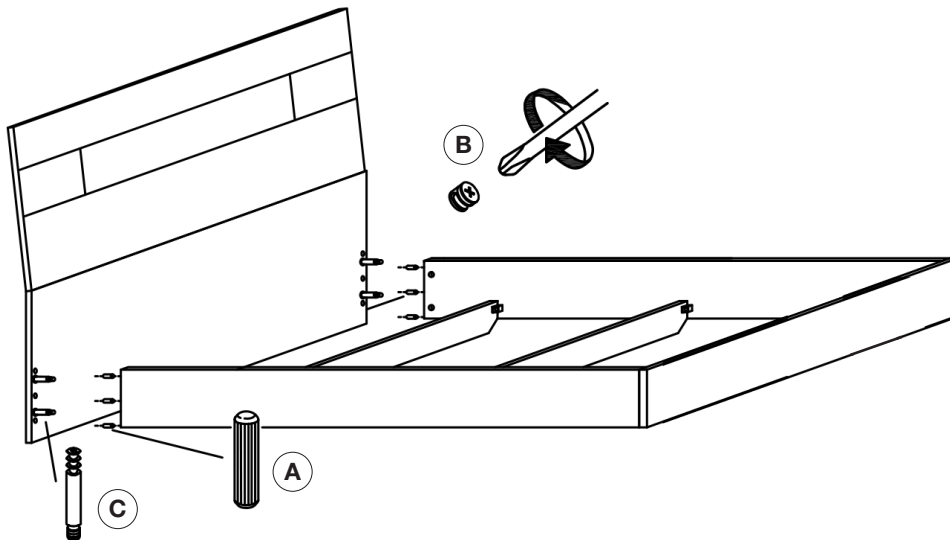


LEGEND	
1	Side Rails
2	Crosspieces
3	Footboard
4	Under Headboard
5	Headboard

PARTS CHECKLIST		
A		Wooden Dowels (24 pcs)
B		Cams (8 pcs)
C		Pins (8 pcs)
D		Screws TBL 4MA (6 pcs)
E		Cams for TBL 4MA (6 pcs)
F		Screws TBL 6MA (18 pcs)
G		Screws TBL 4x50 (4 pcs)

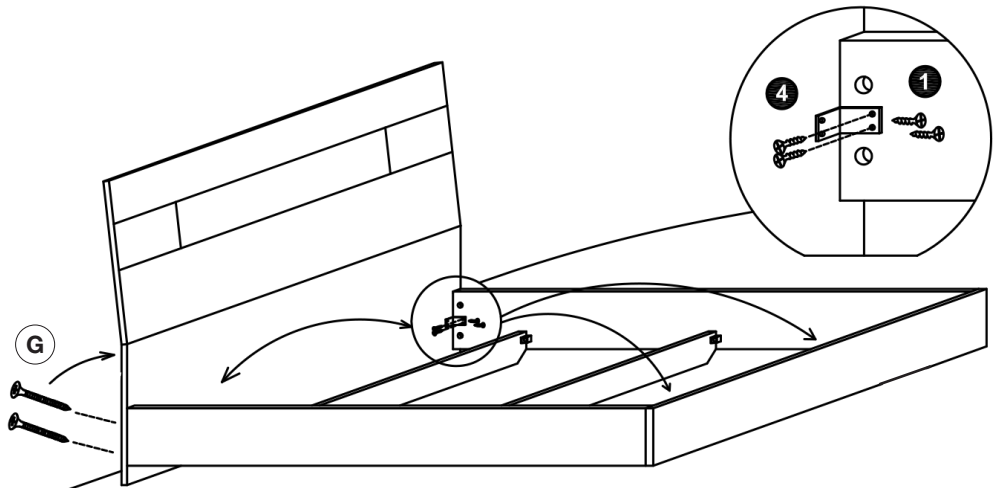
## Step 4

Assemble the headboard to the side rails using the pins, cams and wooden dowels.



## Step 5

Fix the under headboard on the side rails using the screws TSP 4x50



## Step 6

Fit the iron corner on the side rails and to the under headboard, using the screws TSP 4x16