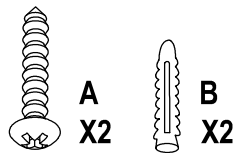
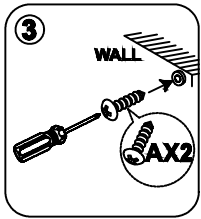
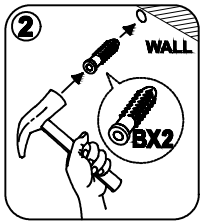
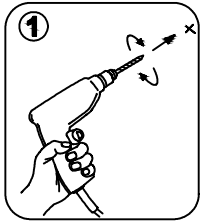


FOR KOUBOO BUYER

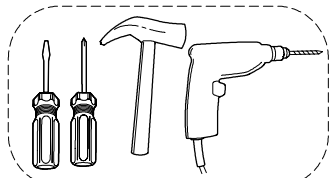
ASSEMBLY INSTRUCTION

RECTANGULAR CAPIZ STRIP MIRROR

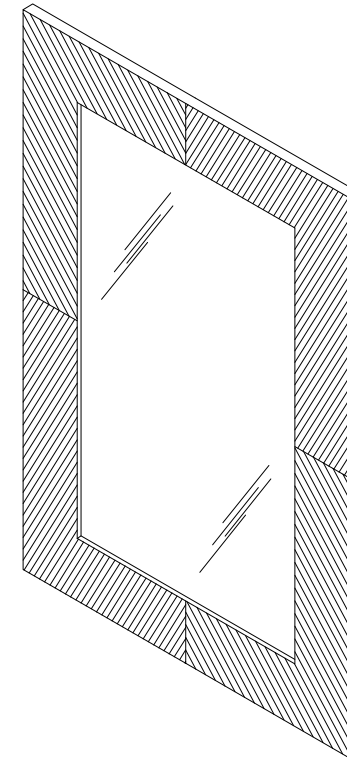
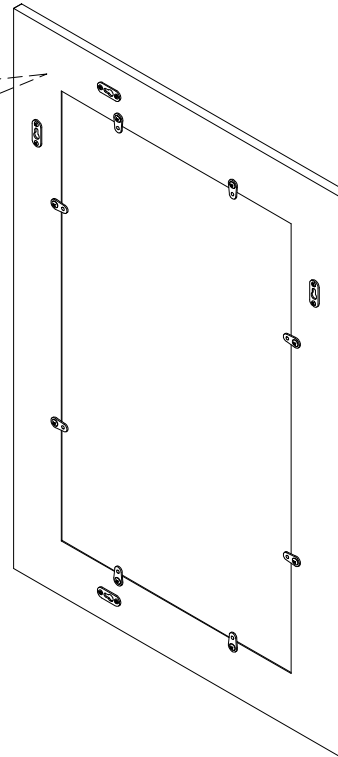
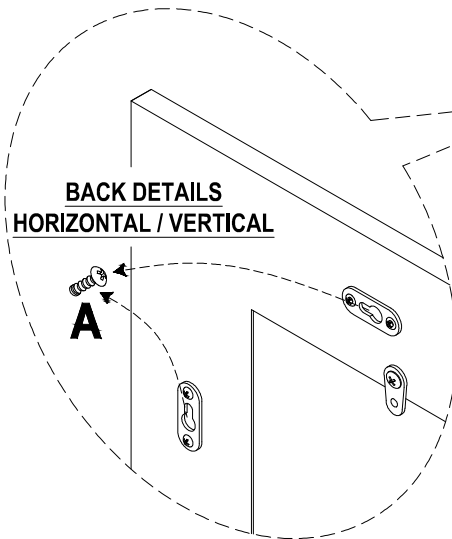
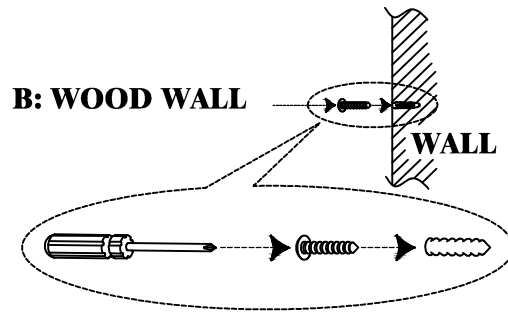
A: CEMENT WALL



SCREWS / PLASTIC CORK



NOT INCLUDED



ITEM No.: EM8A
SIZE : 61 X 1.6 X 91.5 CM. H.

PS-EM8A-WALL

PREPARED BY: Farley™
DATE: 07/17/2020