



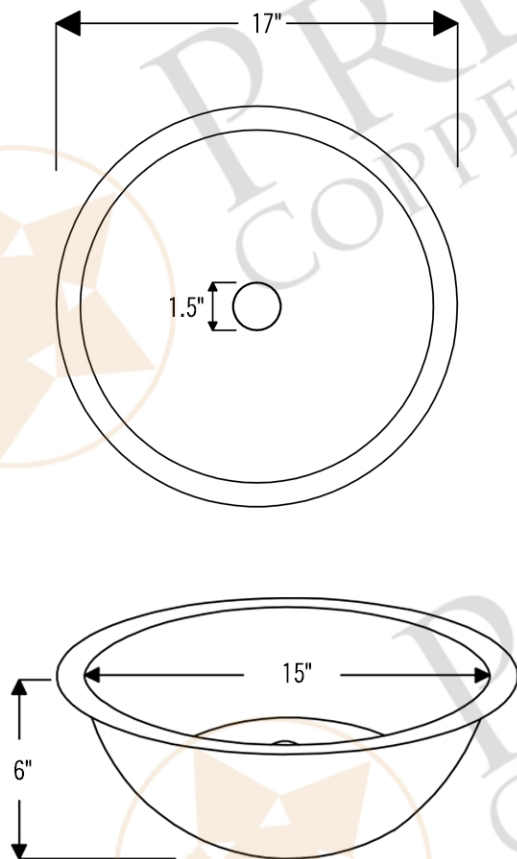
PACKAGE INCLUDES THE FOLLOWING ITEMS:

- * Round Self Rimming Hammered Copper Sink / ORB Finish (Model# LR17RDB)
- * Widespread Bathroom Faucet / ORB Finish (Model# B-WS01ORB)
- * 1.5" Non-Overflow Pop-up Bathroom Sink Drain / ORB Finish (Model# D-208ORB)
- * Neutral Cure Copper Sink Installation Silicone (Model# C900-ORB)
- * Copper Sink Wax (Model# W900-WAX)

* ORB: Oil Rubbed Bronze

SINK DETAILS (Model# LR17RDB)

- * Round Self Rimming Hammered Copper Sink
- * Color: Oil Rubbed Bronze
- * Outer Dimension: 17" x 6"
- * Inner Dimension: 15" x 6"
- * Drain Opening: 1.5" Non-Overflow
- * Material Gauge: (17 Gauge or .0450")
- * CODE / STANDARD COMPLIANCE: IAPMO / cUPC LISTED



DUE TO THE HAND CRAFTED NATURE OF THIS SINK, SMALL VARIANCES IN COLOR AND SIZE MAY OCCUR.
DO NOT MAKE ANY INSTALLATION CUTS UNTIL YOU RECEIVE YOUR ITEM(S).



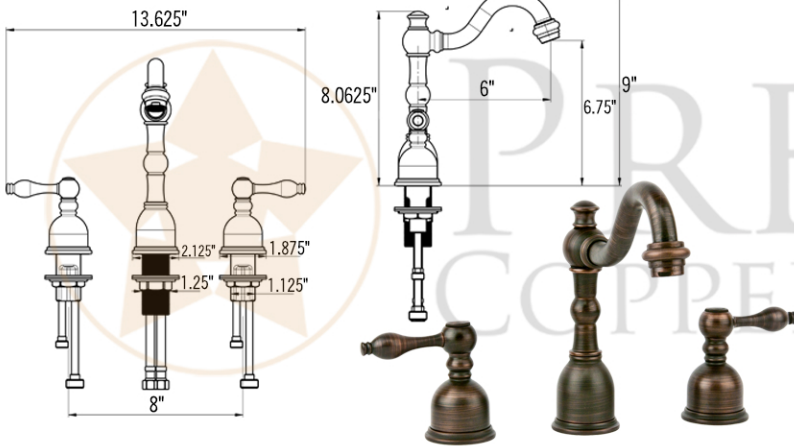
PACKAGE INCLUDES THE FOLLOWING ITEMS:

- * Round Self Rimming Hammered Copper Sink / ORB Finish (Model# LR17RDB)
- * Widespread Bathroom Faucet / ORB Finish (Model# B-WS01ORB)
- * 1.5" Non-Overflow Pop-up Bathroom Sink Drain / ORB Finish (Model# D-208ORB)
- * Neutral Cure Copper Sink Installation Silicone (Model# C900-ORB)
- * Copper Sink Wax (Model# W900-WAX)

* ORB: Oil Rubbed Bronze

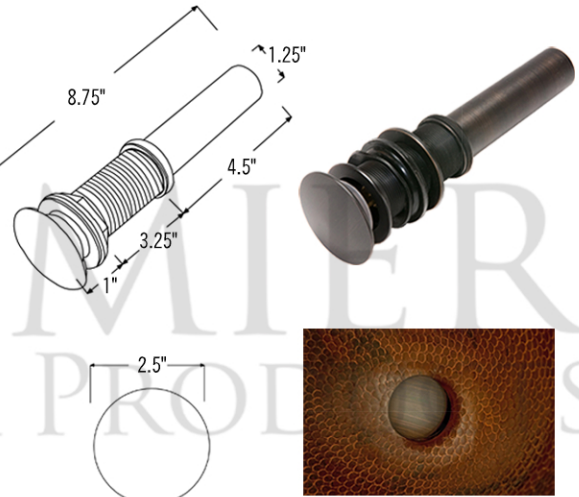
FAUCET DETAILS (Model# B-WS01ORB)

- * Solid Brass Widespread Bathroom Faucet
- * Overall Height: 9" / Overall Width: 13.625"
- * Spout Reach: 6"
- * Valve Type: Drip Free Ceramic Disc
- * ASME A112.18.1/CSA B125.1, NSF/ANSI 61, California Lead Plumbing Law, ADA Compliant



DRAIN DETAILS (Model# D-208ORB)

- * 1.5" Non-Overflow Pop-up Bathroom Sink Drain
- * Design: Push Pop Top
- * Upper Flange Dimension: 2"
- * Material: Solid Brass



SILICONE DETAILS (Model# C900-ORB)

- * Neutral Cure Installation Silicone
- * Size: 4.7 OZ
- * Matches a Variety of Different Styled Sinks and Drains



COPPER SINK WAX DETAILS (Model# W900-WAX)

- * Copper Sink Wax Protectant
- * Made from Natural Bee's Wax
- * No Wax Build Up Ever!
- * Hard Water Protection
- * Works great on a variety of different surfaces:

Copper Sinks & Tubs
Marble
Granite
Countertops
Door Knobs
Shower Glass
Mirrors
Fine Furniture

Faucets
Kitchen Cabinets
Wrought Iron
Glass
Aluminum
Chrome
Appliances
Leather

