



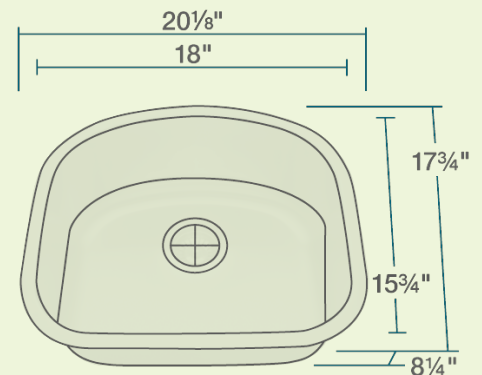
2118 D-Bowl Sink



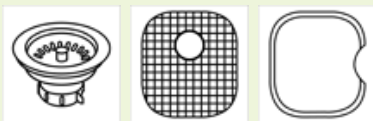
Stainless Steel

Stainless Steel is the most popular choice for today's kitchens due to its clean look and durability. The beautiful brushed satin finish helps to hide small scratches that may occur over the lifetime of the sink. Our Stainless Steel sinks are made from high quality 14, 16, 18 or 20 gauge steel. Most models are made of one piece construction that ensures the sturdiest kitchen sink you will find. Our sinks are made from 300-series stainless steel and are guaranteed not to rust or stain. Each sink is fully insulated and has a sound dampening pad. Our stainless steel sinks are backed by a limited lifetime warranty.

20 1/8" x 17 3/4" x 8 1/4"
 Undermount Installation
 21" Minimum Cabinet Size
 16- or 18-Gauge Steel Available
 Certified High-Quality 304 Stainless Steel
 Brushed Satin Finish
 Offset Drain
 Thick Sound Dampener Rubber Pad
 Fully Insulated
 Cardboard Cutout Template Included
 Installation Hardware Included
 cUPC Certified (Uniform Plumbing Code)
 Limited Lifetime Warranty



Accessories



*Accessories not included

16g UPC: 817299011873

18g UPC: 817299011880

Features

<p>Undermount Installation</p>	<p>21" Minimum Cabinet Size</p>	<p>16 or 18 Gauge Available</p>	<p>Cold-Rolled Stainless Steel</p>	<p>Brushed-Satin Finish</p>	<p>Offset Drain 3 1/2"</p>
<p>Sound Dampening</p>	<p>Fully Insulated</p>	<p>Cutout Template</p>	<p>Hardware Included</p>	<p>cUPC Certified</p>	<p>Limited Lifetime Warranty</p>