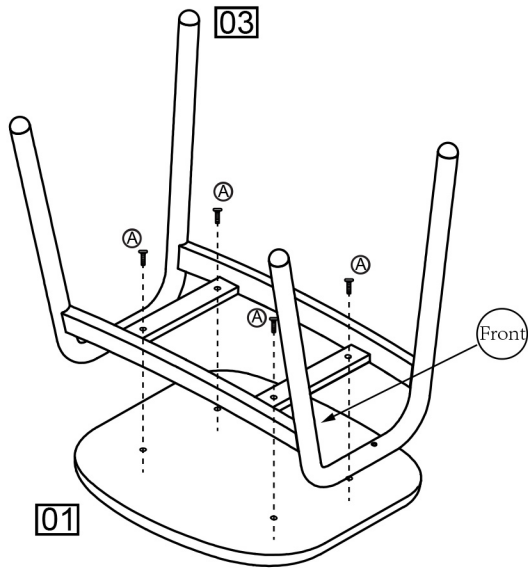


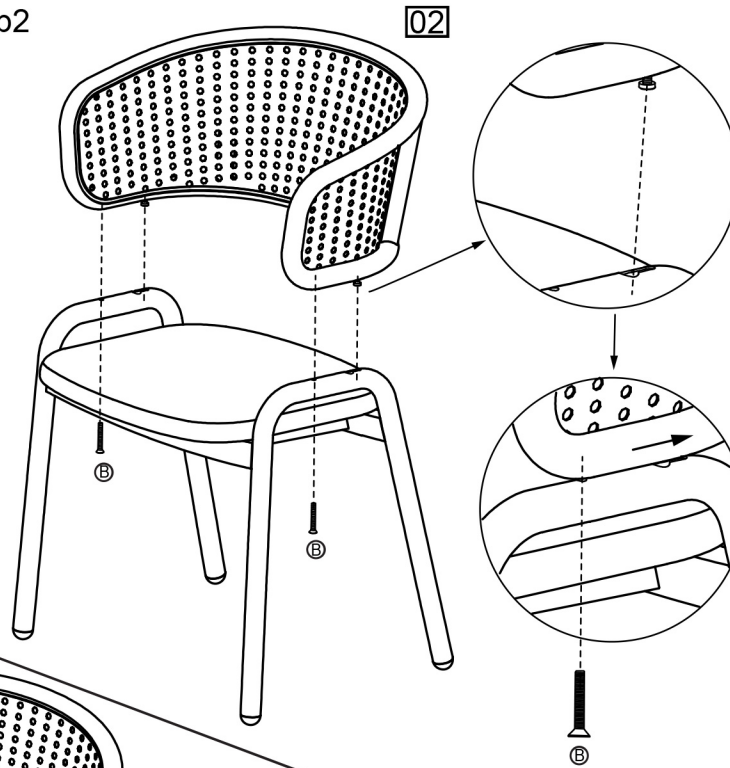
COMPONENT PARTS

FITTINGS

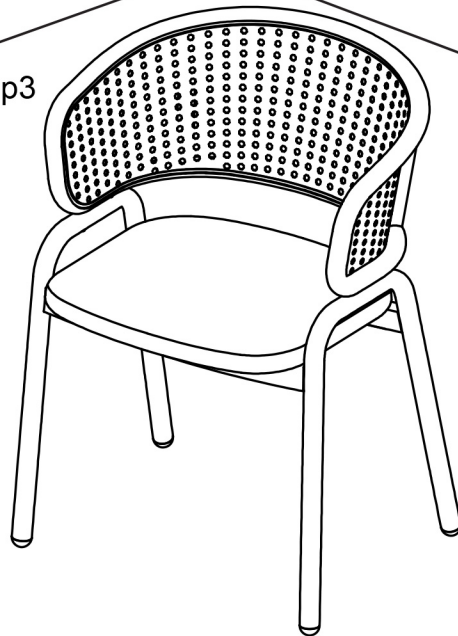
Step1





Step2



Step3



- (A)  ×4
- (B)  ×2

COMPONENT CHECKLIST

PART	No.	Qty.	
Seat	01	1	<input type="checkbox"/>
Back	02	1	<input type="checkbox"/>
Foot	03	1	<input type="checkbox"/>

TOOLS REQUIRED



Allen key (supplied)