



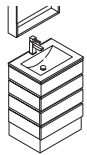
FVN6124

AMATO

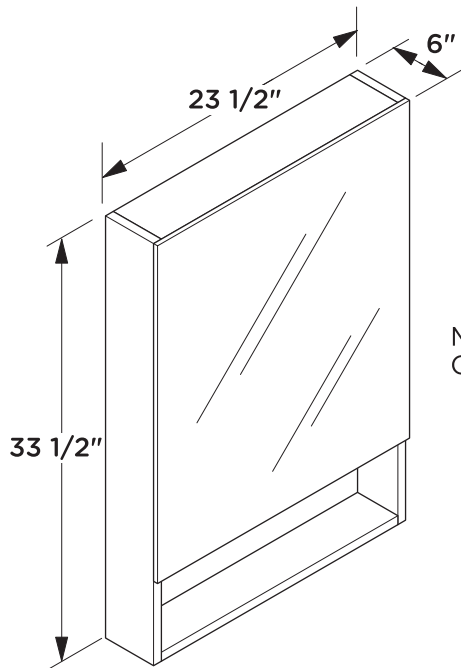
INSTALLATION GUIDE

CONTENTS:

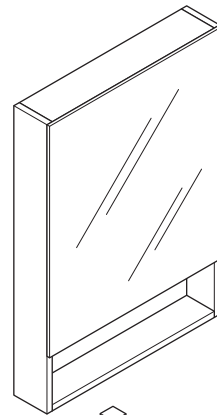
Cabinet.....(FCB6124).....	PAGE 3
Sink.....(FVS6124).....	PAGE 3
Medicine Cabinet...(FMC6124).....	PAGE 4



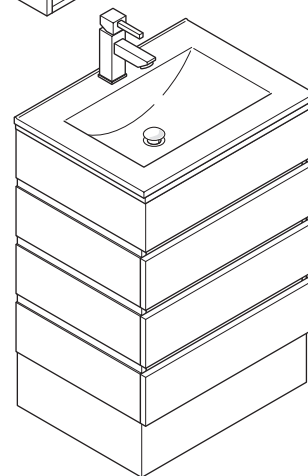
FVN6124 AMATO INSTALLATION GUIDE



Medicine Cabinet

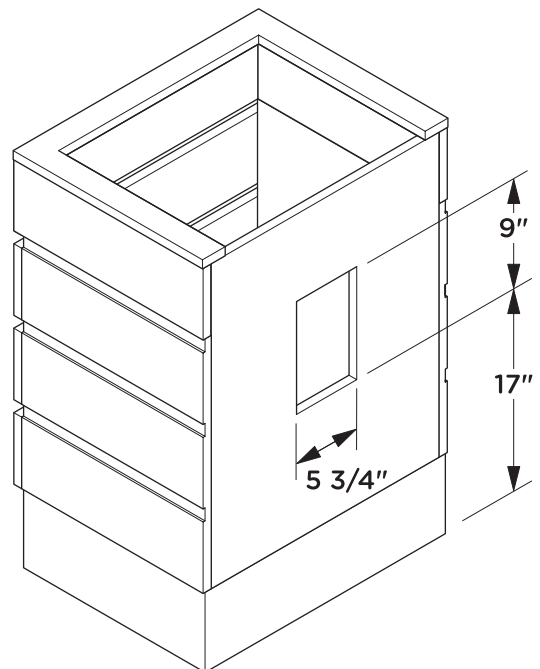
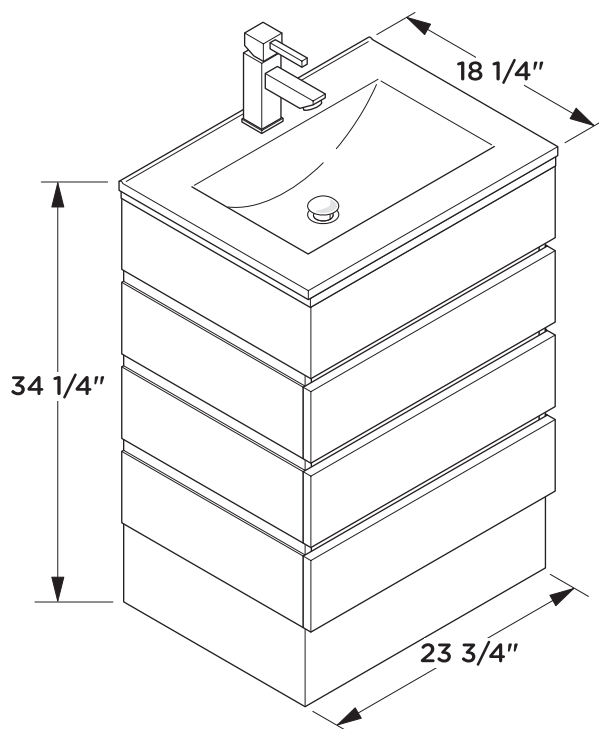


Vanity Ensemble



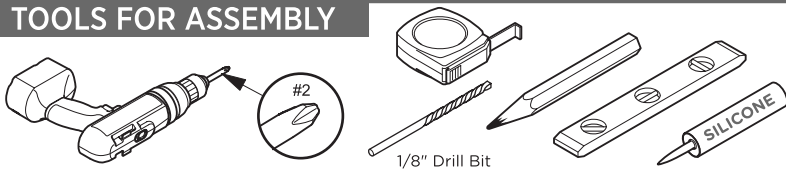
Cabinet back

Cabinet front

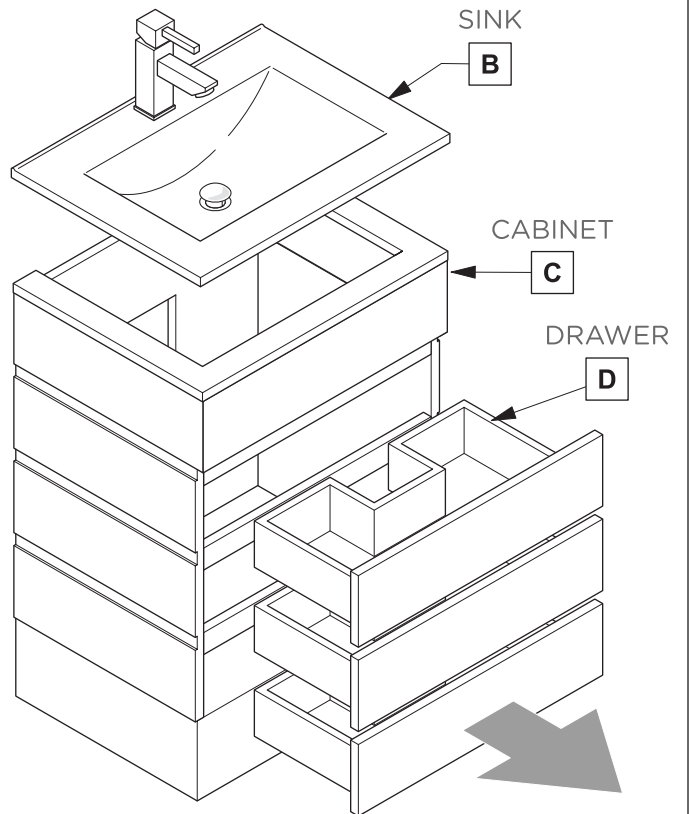
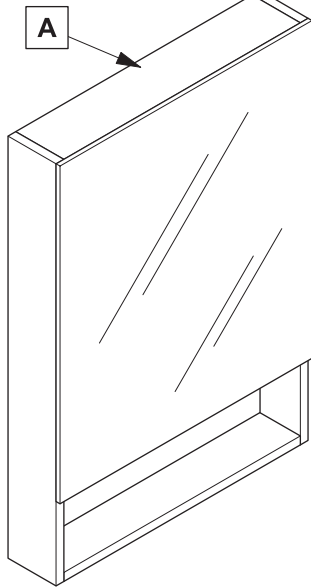


NOTE: ALL DIMENSIONS & SPECIFICATIONS ARE APPROXIMATE AND SUBJECT TO CHANGE WITHOUT NOTICE.

TOOLS FOR ASSEMBLY

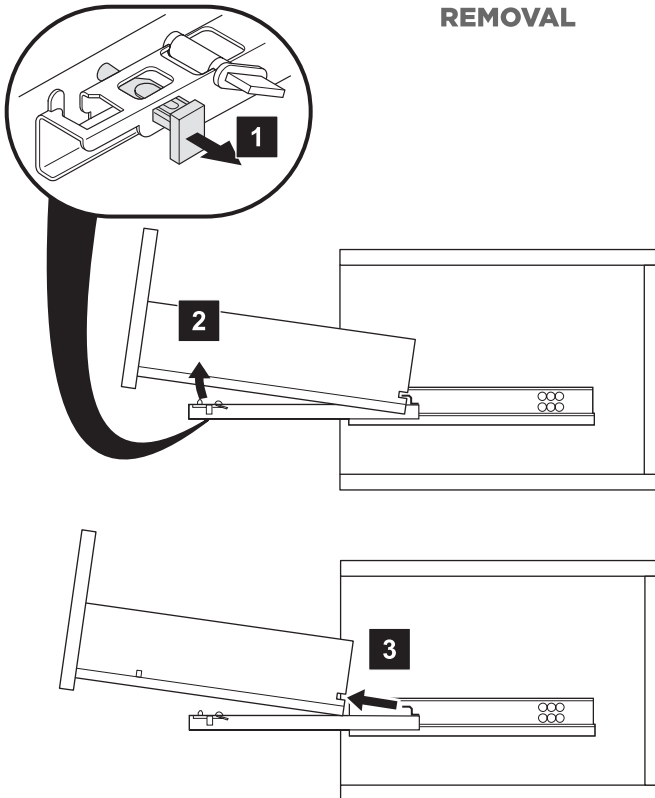


MEDICINE CABINET

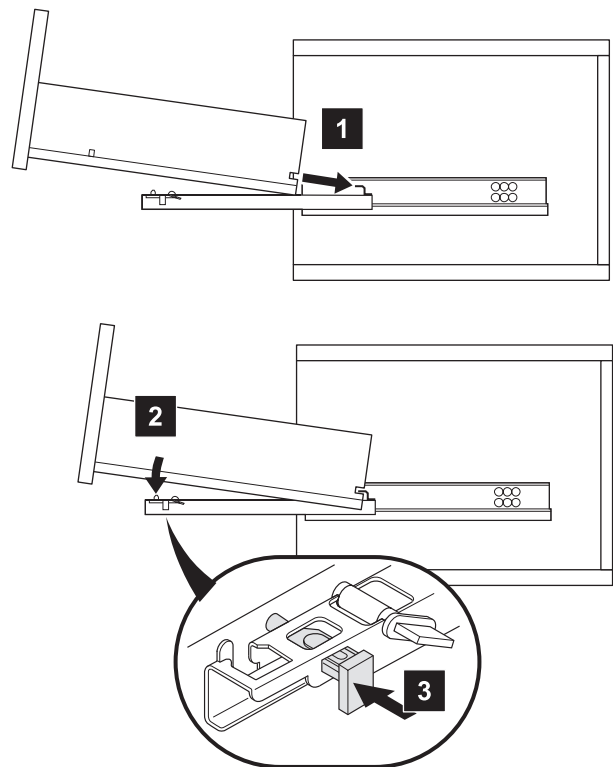


DRAWER REMOVAL & INSTALLATION

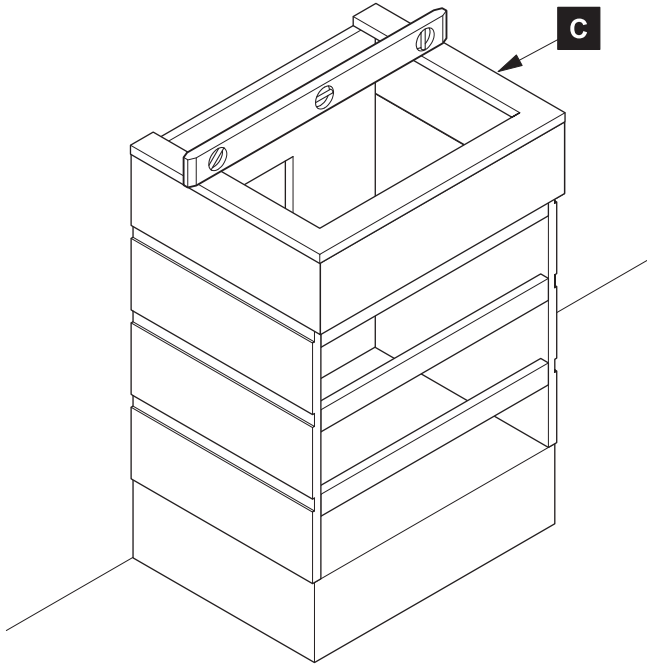
REMOVAL



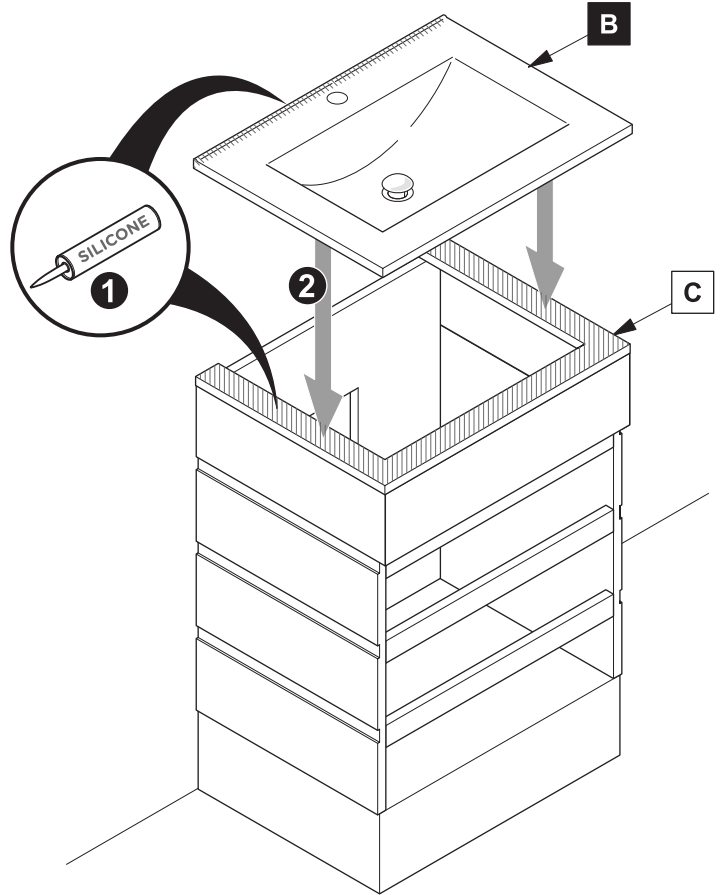
INSTALLATION



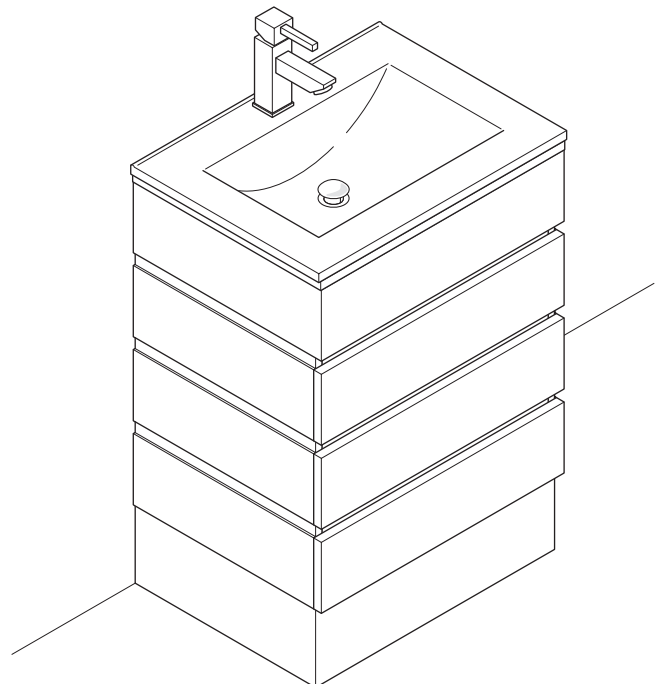
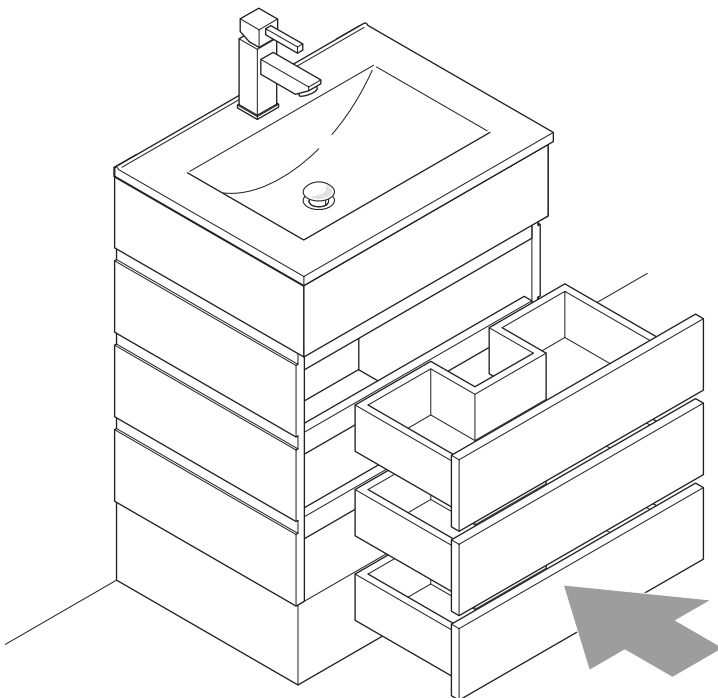
1 Place cabinet (C) in desired position.



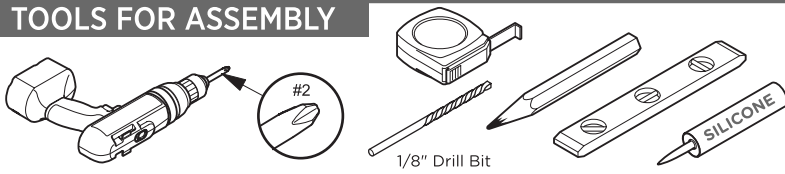
2 Apply silicone and place sink (B) on the cabinet (C).



3 Insert the drawers (D) back into place.

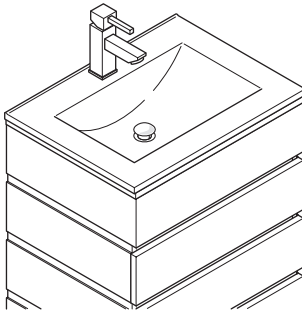
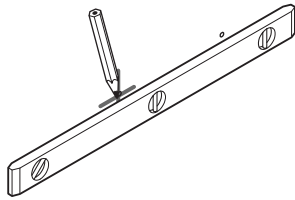


TOOLS FOR ASSEMBLY



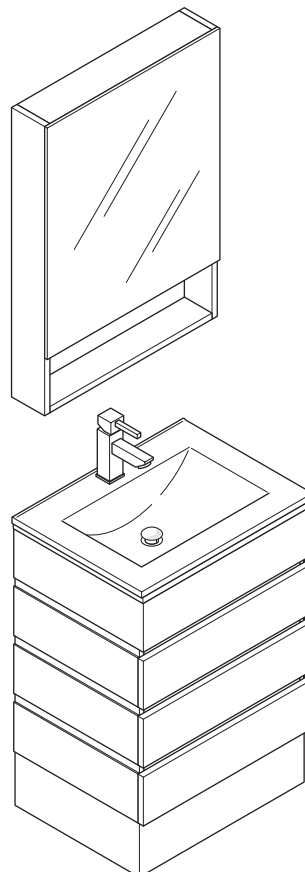
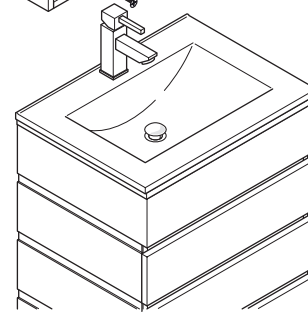
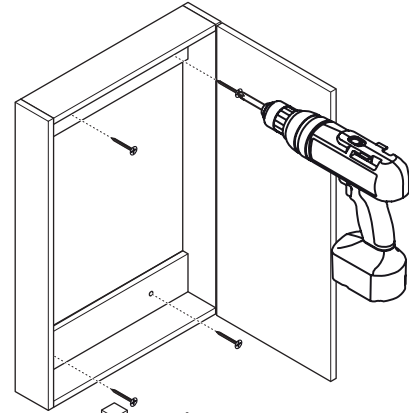
MEDICINE CABINET INSTALLATION

1 Mark the wall using a level for the mounting position.



2 Open the door and attach medicine cabinet to the wall with screws using a drill. Start with the top screws.

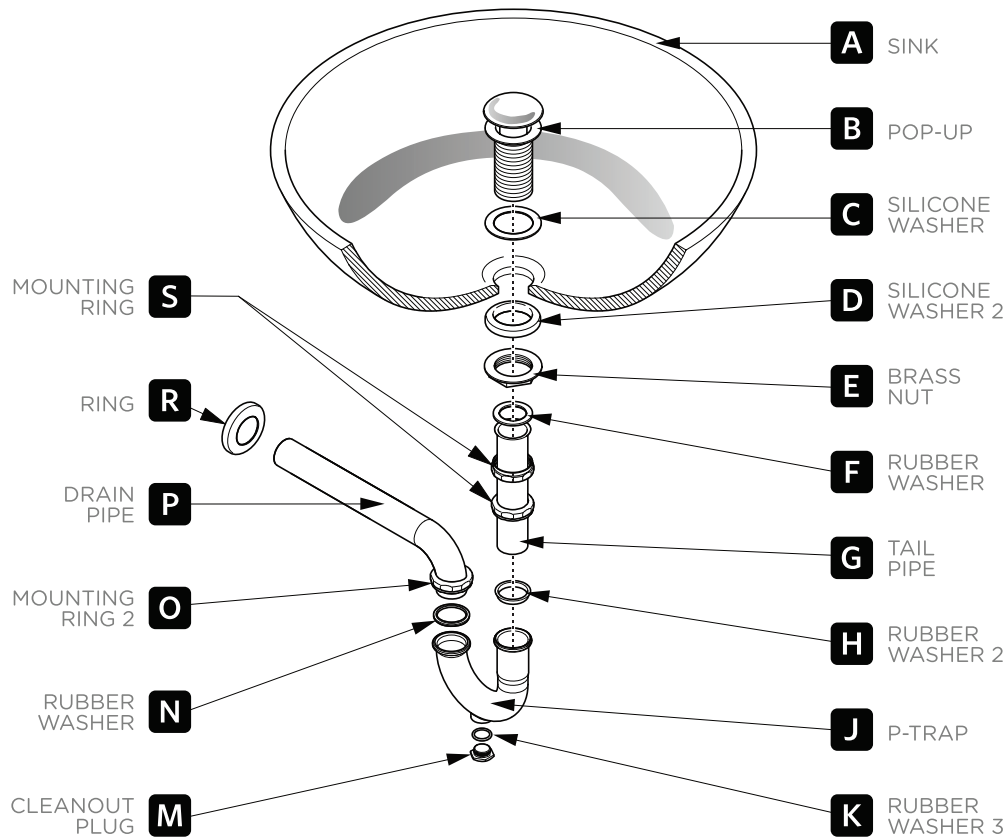
NOTE: Consult an expert for the proper screws/bolts to use when attaching to various constructions. Screws provided *do not* attach to all wall construction types.



P-TRAP & POP-UP

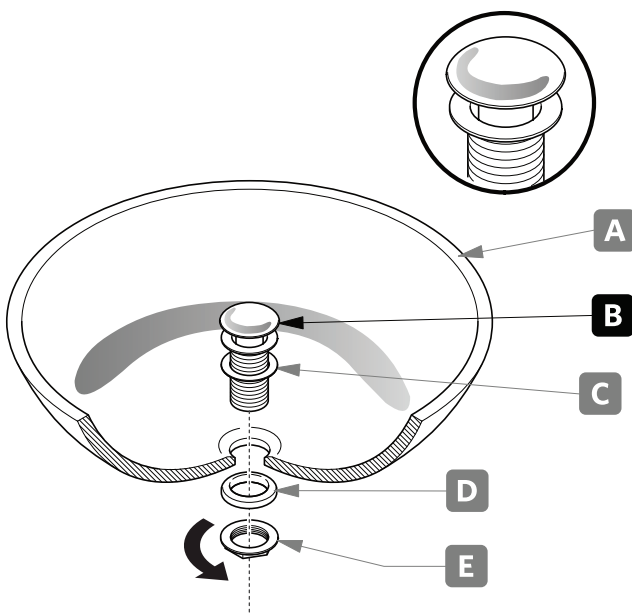
INSTALLATION INSTRUCTIONS

Your item may appear slightly different from the illustration.



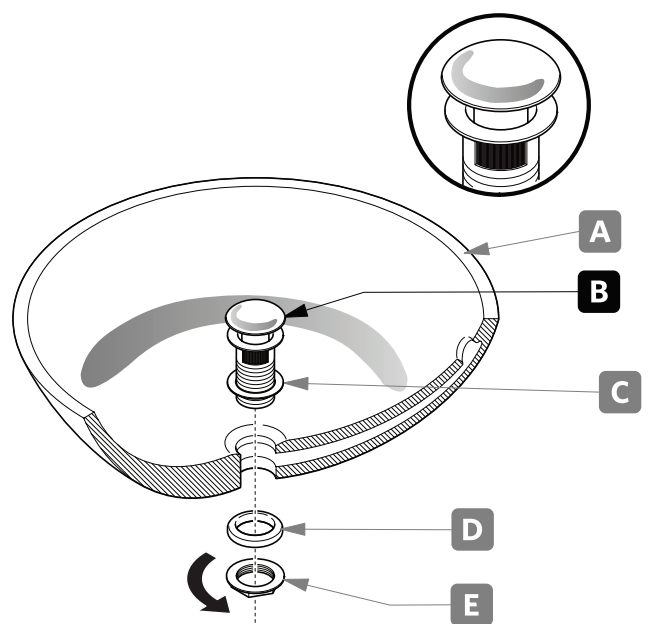
POP-UP INSTALLATION

FOR SINKS WITHOUT OVERFLOW



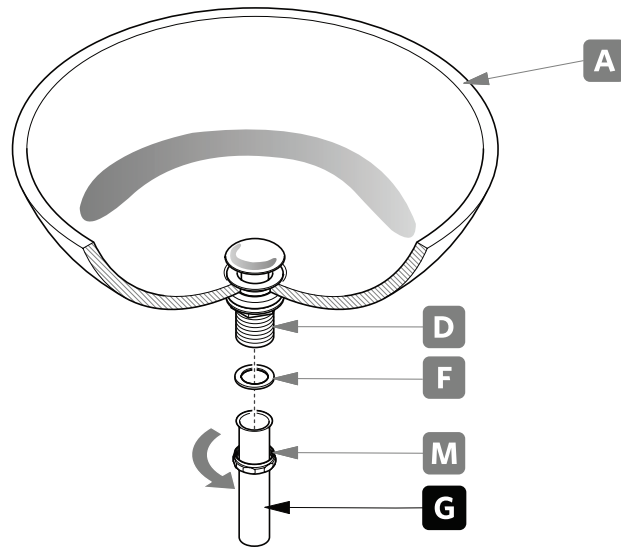
OR

FOR SINKS WITH OVERFLOW



P-TRAP INSTALLATION

1. Install tail pipe (**G**).



2. Install P-trap (**J**).

