

ASSEMBLY INSTRUCTIONS

9300170
9300171

HARDWARE

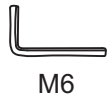
Ax4



Bx4

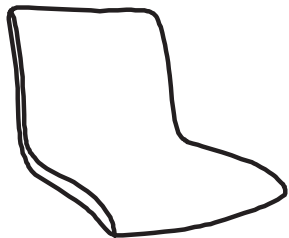


Cx1

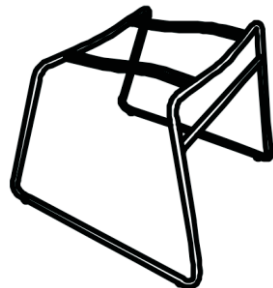


PARTS

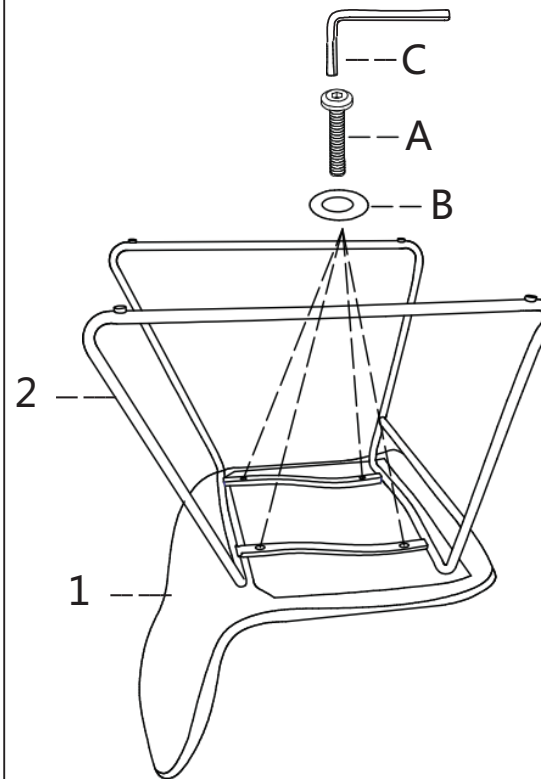
1x1



2x1



(1)



(2)

