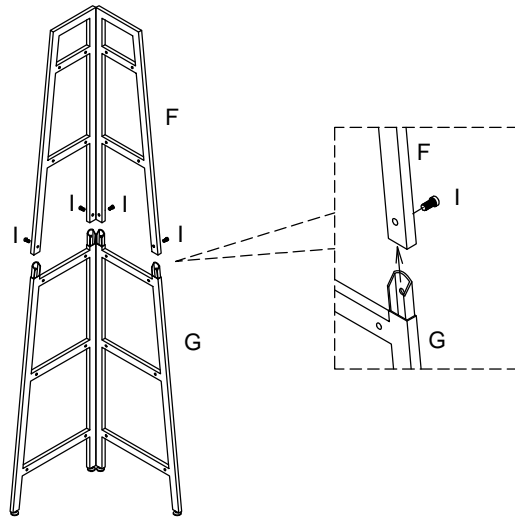


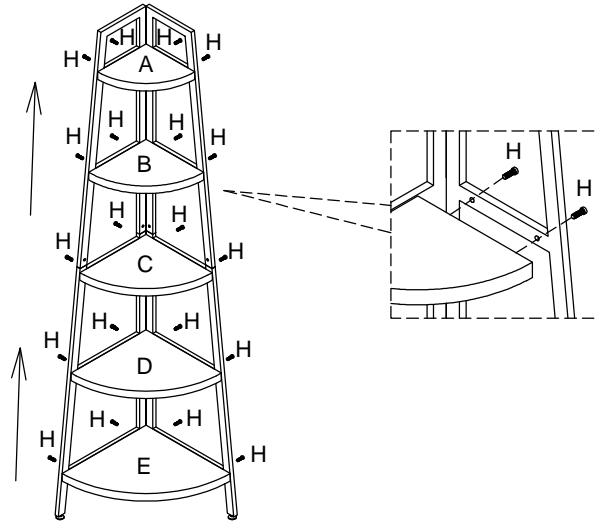
ASSEMBLY INSTRUCTION

ITEM NO:GH5005

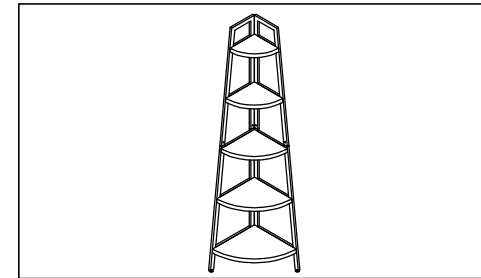
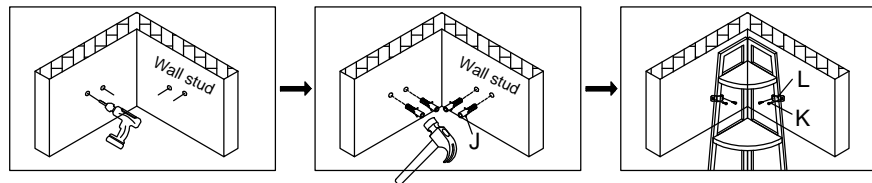
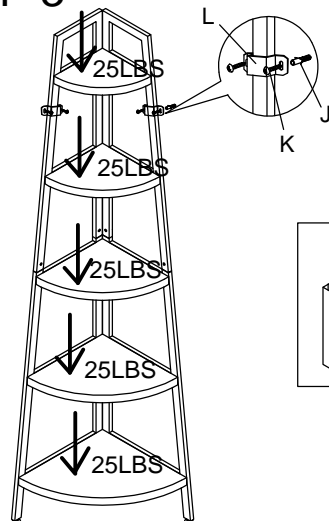
STEP 1





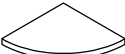
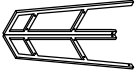

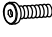







STEP 2



STEP 3



A		1PC
B		1PC
C		1PC
D		1PC
E		1PC
F		1PC
G		1PC
H	 M6*28mm	20PCS
I	 M6*12mm	4PCS
J		4PCS
K	 M4*35mm	4PCS
L		2PCS
M		1PC