

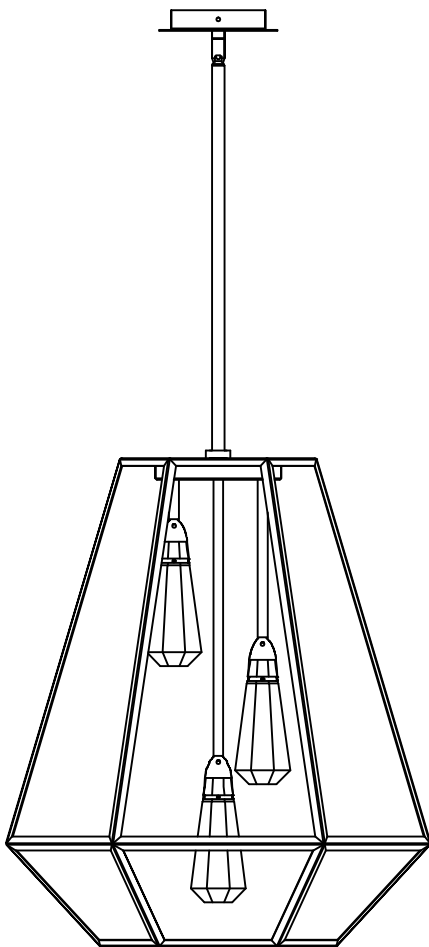


L I G H T I N G

PRODUCT NAME: Silhouette

ITEM NUMBER: 21043

Please consult your electrician for hanging fixture and wiring.



**WARNING:** Wires need to be connected to driver found in canopy and should not be connected directly to power source or a short may occur.

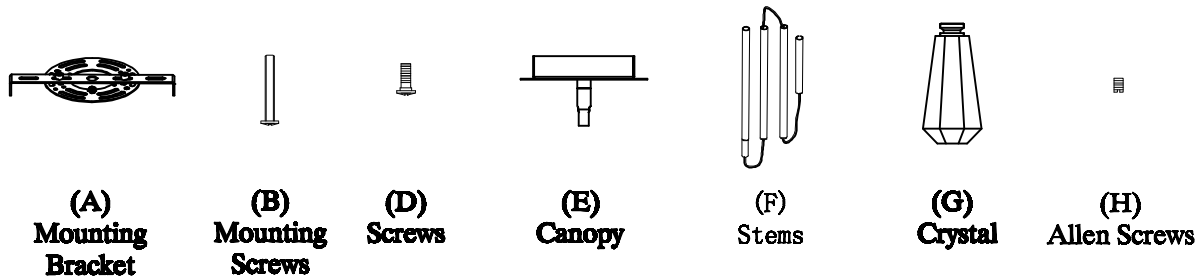
The fixture is designed to dim with a standard Triac forward phase dimmer. Dimming levels will vary by dimmer.  
Below is a list of recommended dimmers:

Lutron MACL-153M  
Lutron DVL-153P  
Lutron SCL-153P  
Leviton IPL06-10Z  
Leviton 6674-POW

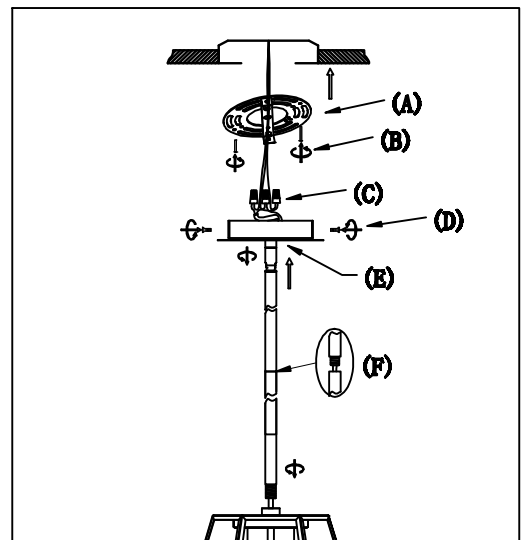
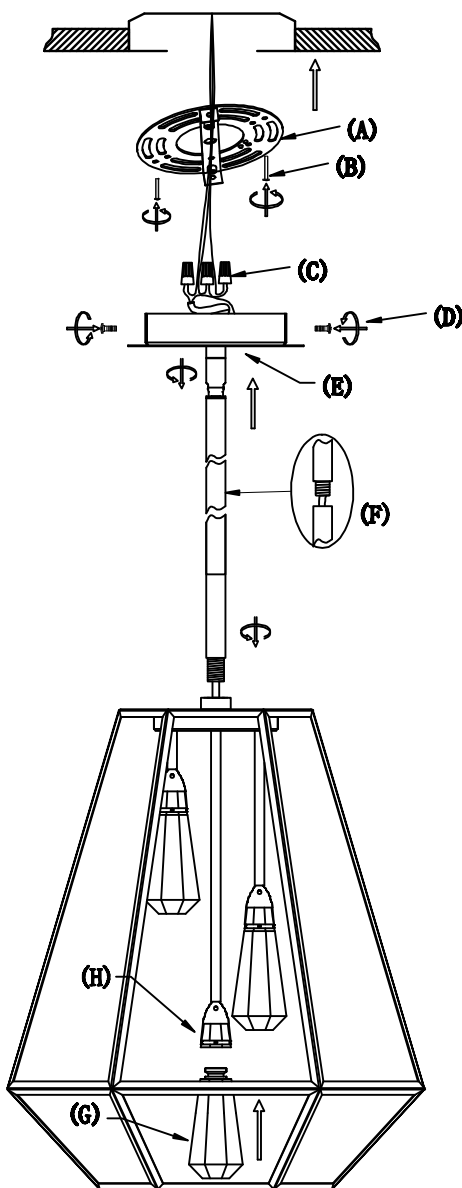
Due to the inrush current wattage should not exceed 150 watts of product for a 600 watt dimmer.

3 x 3W LED (integrated)

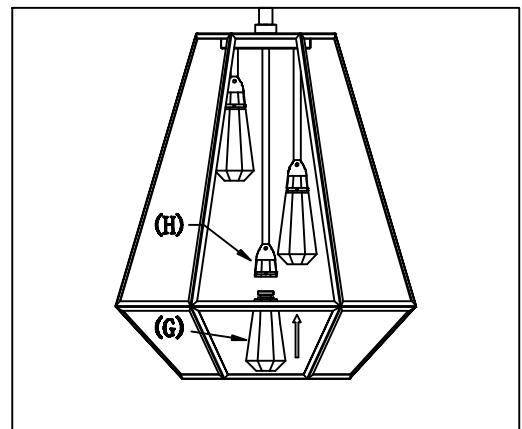
**IMPORTANT: Turn OFF the power at the main fuse or circuit breaker box before starting installation**



**Locate all hardware & components before discarding packaging**



**Step 1: Run wire through stems (F) and combine stem lengths to meet desired mounting height. Remove mounting bracket (A) from fixture and install to electrical box. Wire fixture (C) to wires in outlet box. Green wire is Ground wire. Attach the canopy (E) to the mounting bracket using screws (D) on the sides to secure.**



**Step 2: Attach crystal (G) to fixture using Allen screws (H) provided.**

**Cleaning & Care:**

**Clean with soft cloth and a mild detergent.  
Do not use abrasive cleaner.**