

KHU32

31 1/2 Inch Undermount Single Bowl Stainless Steel Kitchen Sink

Kräus[®]

SPECIFICATION SHEET

Sink Dimensions

Overall Dimensions: 31 1/2" x 18 1/2"

Bowl Dimensions: 30" x 17"

Sink Depth: 10"

Features

- 16 Gauge Stainless Steel Construction
- Single Bowl Undermount Handmade Sink
- Required Minimum Cabinet Size: 36" Left to Right, 24" Front to Back
- Rear Center-Set Drain
- 3 1/2" Drain Opening
- NoiseDefend Undercoating and Sound Dampening Pads

Accessories Included

- Strainer ST-3
- Bottom Grid KBG-H32
- Cut-Out Template
- Mounting Hardware
- Towel

Optional Accessories

- Garbage Disposal Adapter GDA-1

CODES/STANDARDS:

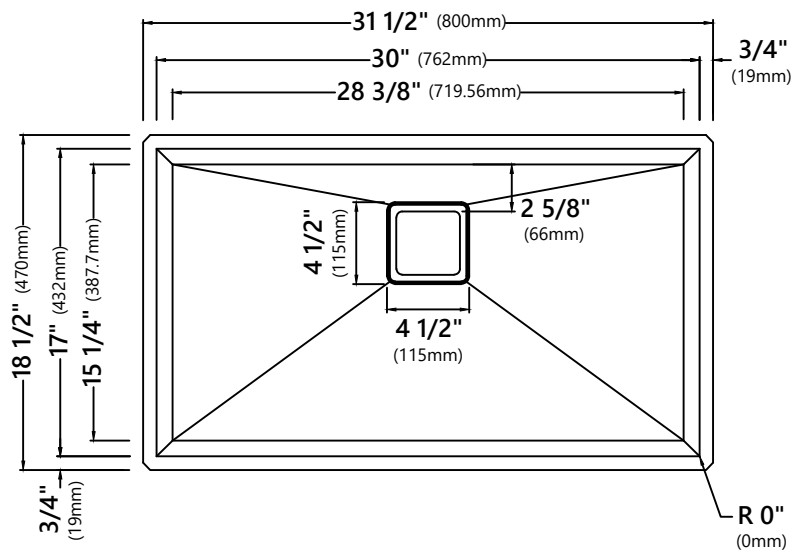
Product Certification

cUPC (ASME A112.19.3/CSA B45.4)

Warranty

Kraus Limited Lifetime Warranty

see website for details www.kraususa.com



KBG-H32

Stainless Steel Kitchen Sink Bottom Grid

Grid Dimensions

Overall Dimensions: 28" x 15" x 1 1/8"

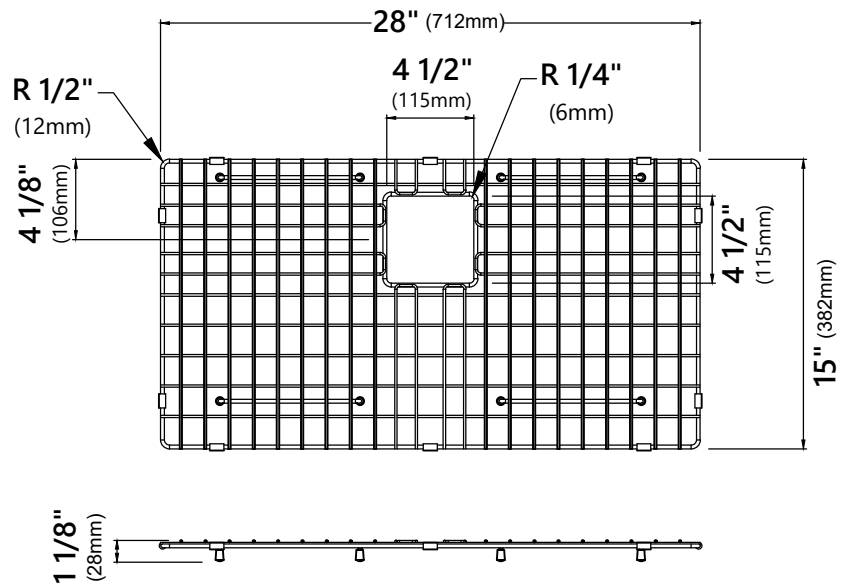
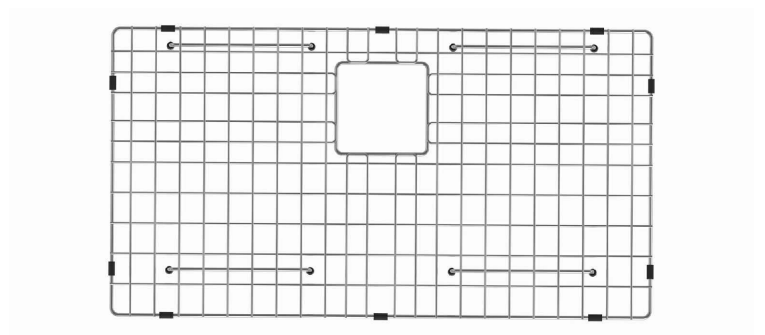
Features

- Commercial grade stainless steel construction
- For Use with the KHU32 kitchen sink
- Protects bottom of sink from daily wear and tear
- Rubber feet provide additional protection

Warranty

Kraus One Year Limited Warranty

see website for details www.kraususa.com



ST-3 Stainless Steel Strainer

Strainer Dimensions

Overall Dimensions: 4 1/2" x 4 1/2" x 2 5/8"

Features

- Premium Stainless Steel Construction
- Modern Square Drain Design
- Removable Strainer with Gasket for Secure Seal
- Designed to Use with all Pax™ and R0 Pro™ Series Sinks

Warranty

Kraus Limited Lifetime Warranty

see website for details www.kraususa.com

