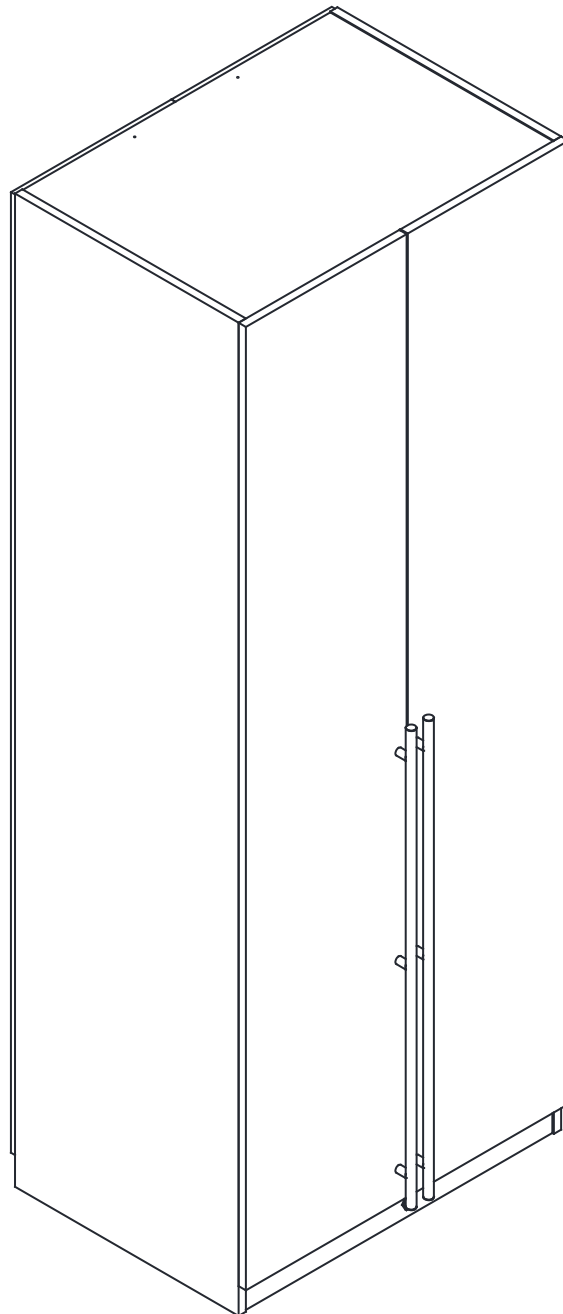




MANHATTAN
COMFORT

WC002



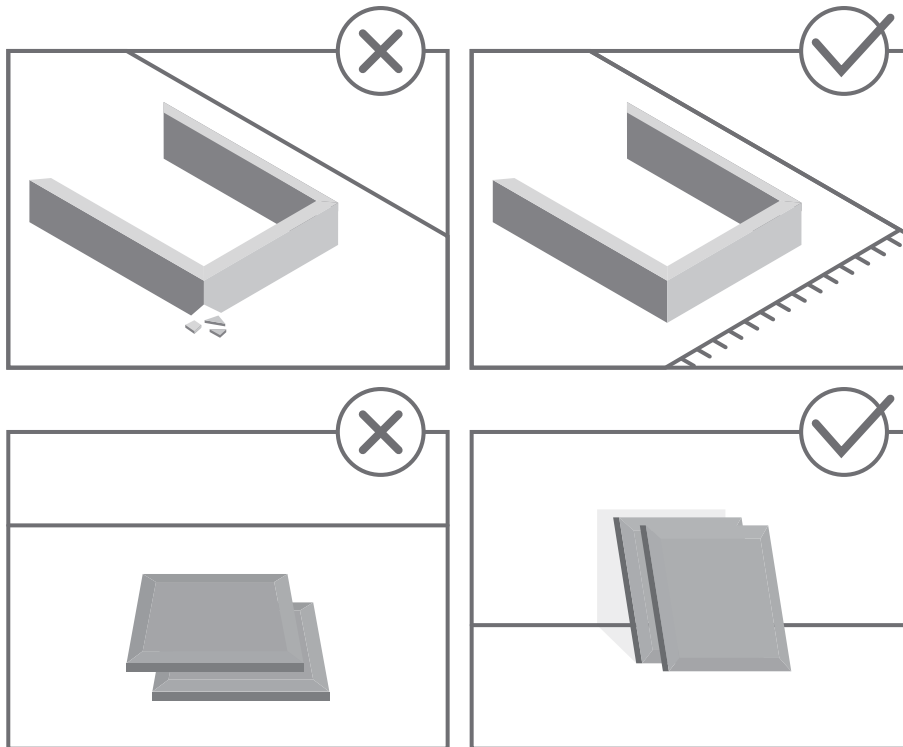


STOP!

Before beginning the assembly process, ensure all boxes and parts have been delivered.

FOR BEST RESULTS:

- Do not throw away packaging materials until assembly is complete.
- Assemble item on a soft surface, such as cardboard or carpet, to protect finish.
- Proper assembly requires two people.



View our assembly video online:
WWW.MANHATTANCOMFORT.COM

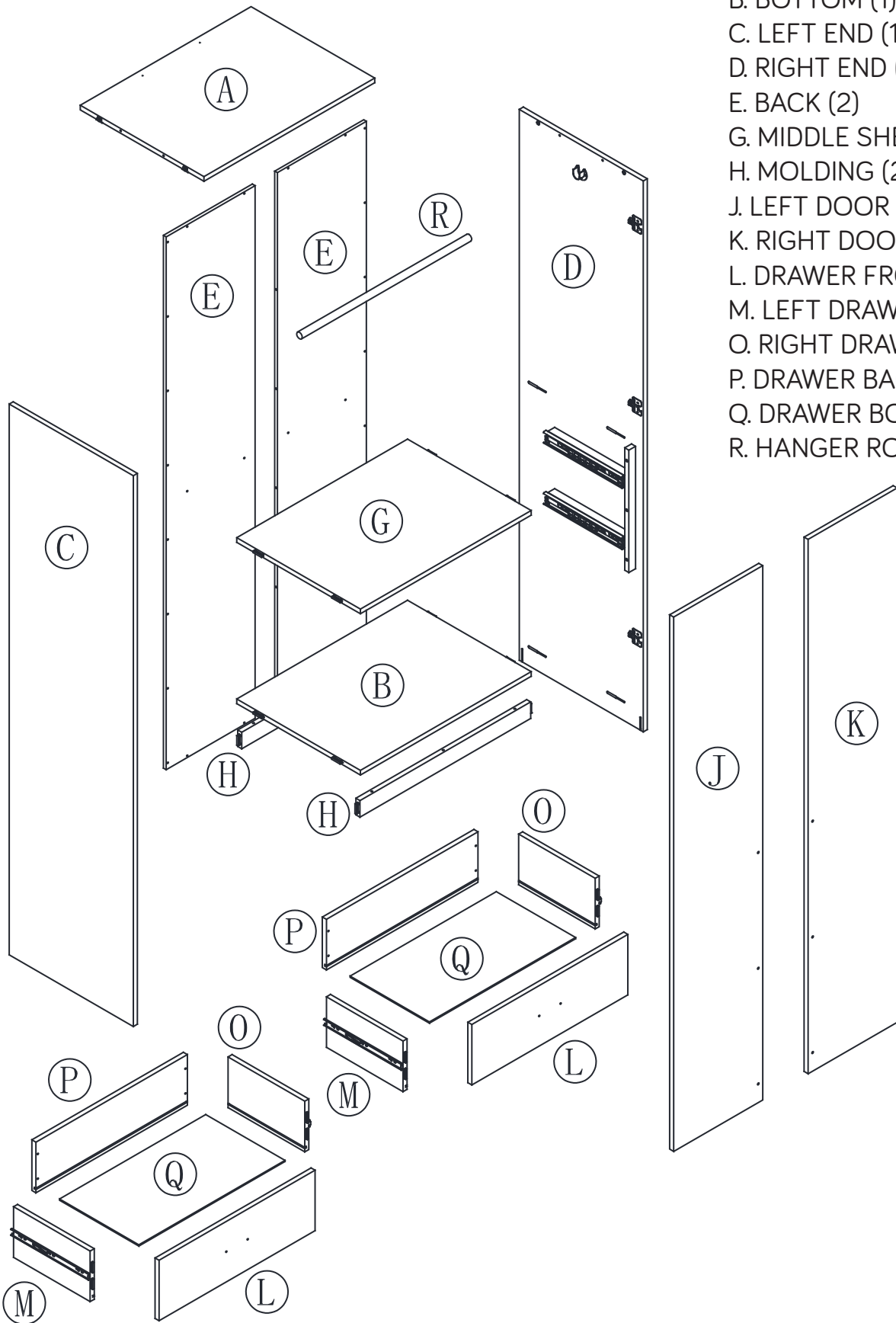


Stuck? Question? We are here to help.
tel: 908-888-0818
e-mail: help@manhattancomfort.com

Support Site



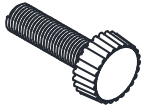
Included in this package:



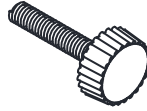
- A. TOP (1)
- B. BOTTOM (1)
- C. LEFT END (1)
- D. RIGHT END (1)
- E. BACK (2)
- G. MIDDLE SHELF (1)
- H. MOLDING (2)
- J. LEFT DOOR (1)
- K. RIGHT DOOR (1)
- L. DRAWER FRONT (2)
- M. LEFT DRAWER SIDE (2)
- O. RIGHT DRAWER SIDE (2)
- P. DRAWER BACK (2)
- Q. DRAWER BOTTOM (2)
- R. HANGER ROD (1)

Hardware Identification

① BOLT - 6pcs
M6*30mm



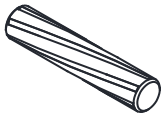
② BOLT - 36pcs
M4*30mm



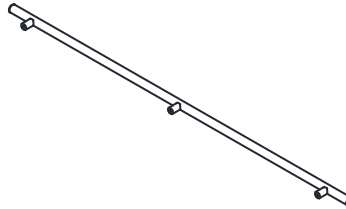
③ BOLT - 4pcs
M4*25mm



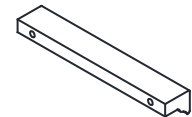
④ WOOD DOWEL - 14pcs
Ø6*30mm



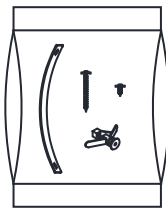
⑤ DOOR PULL - 2pcs

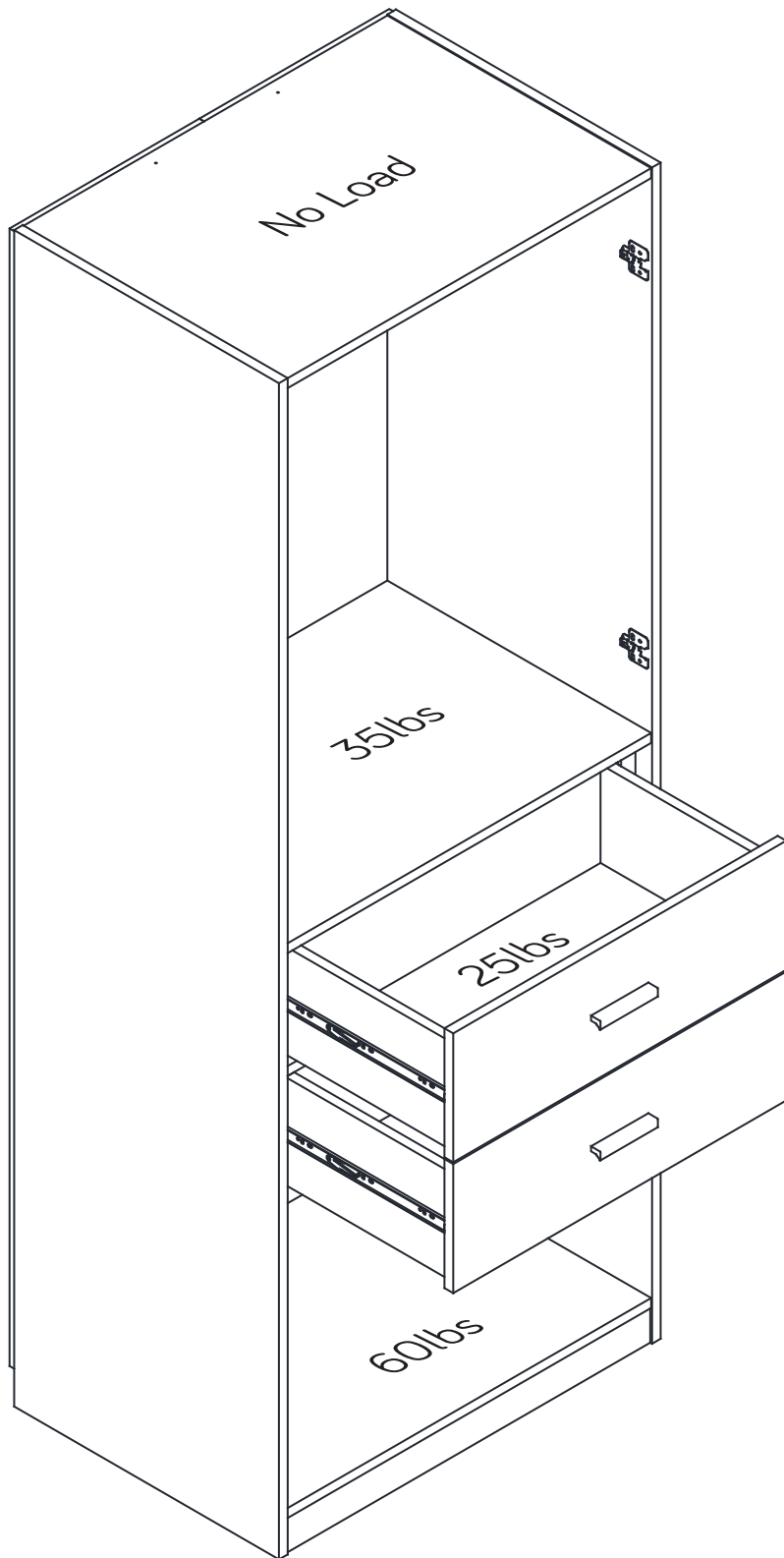


⑥ DRAWER PULL - 2pcs



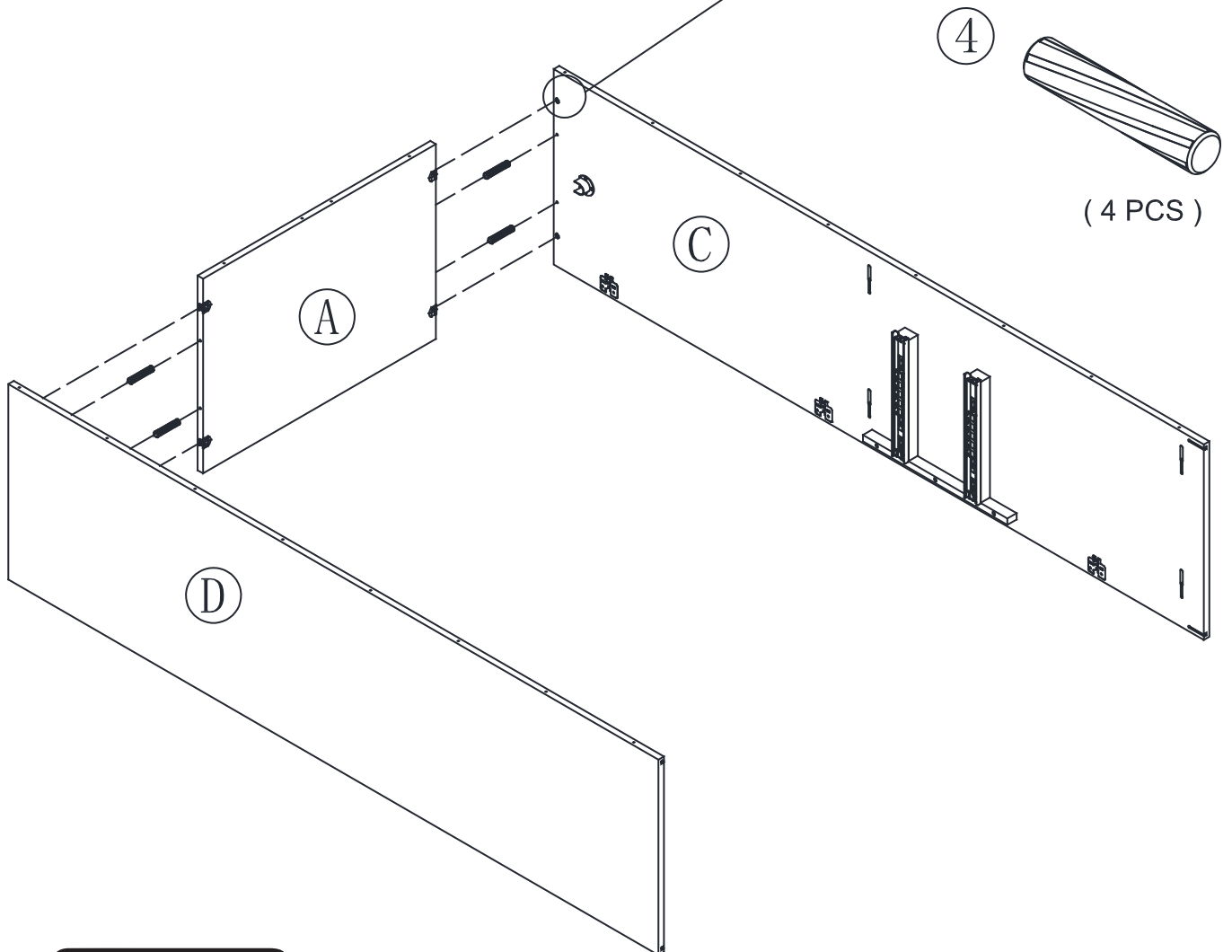
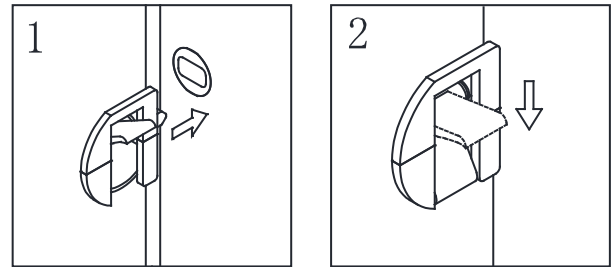
⑨ FURNITURE TIPPING
RESTRAINT KIT - 2pcs





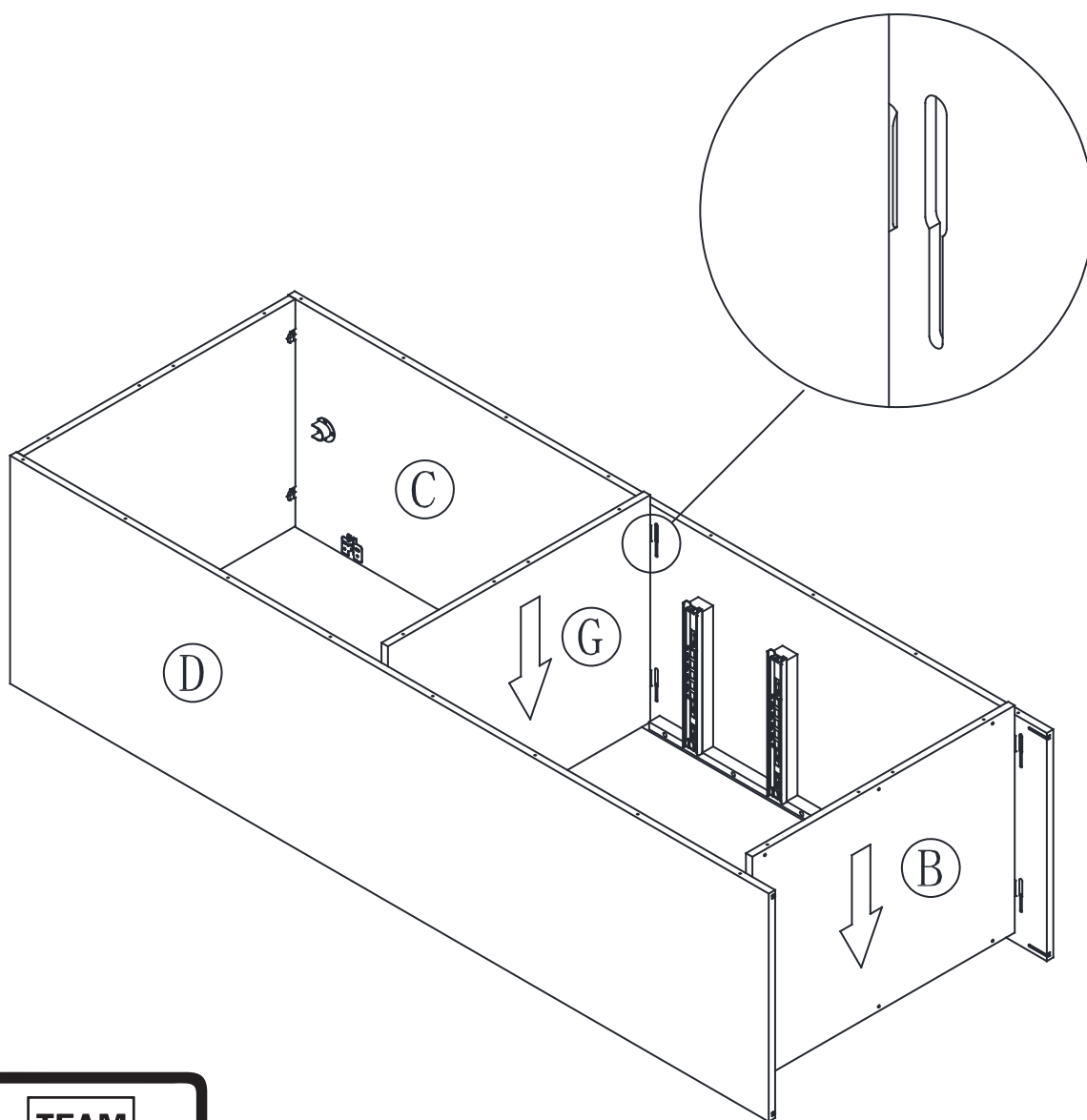
Step 1

- ◆ Insert four WOOD DOWELS to the TOP (A).
- ◆ Attach the TOP (A) to the ENDS (C and D).
Tighten four PLASTIC CAM LOCK.



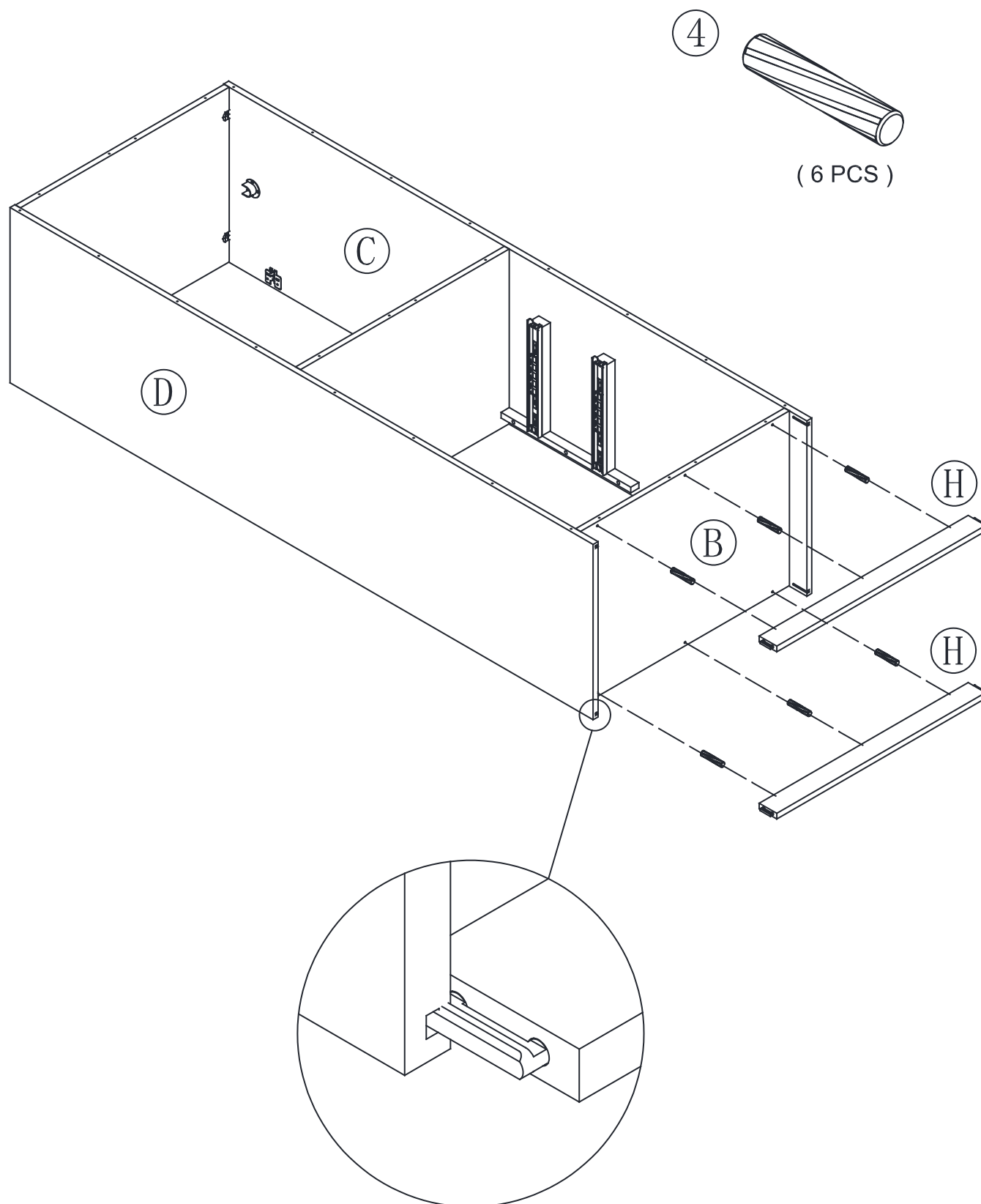
Step 2

- ◆ Attach the MIDDLE SHELF (G) and the BOTTOM (B) to the ENDS (C and D) by placing the plastic connection into the slots and toward the down.



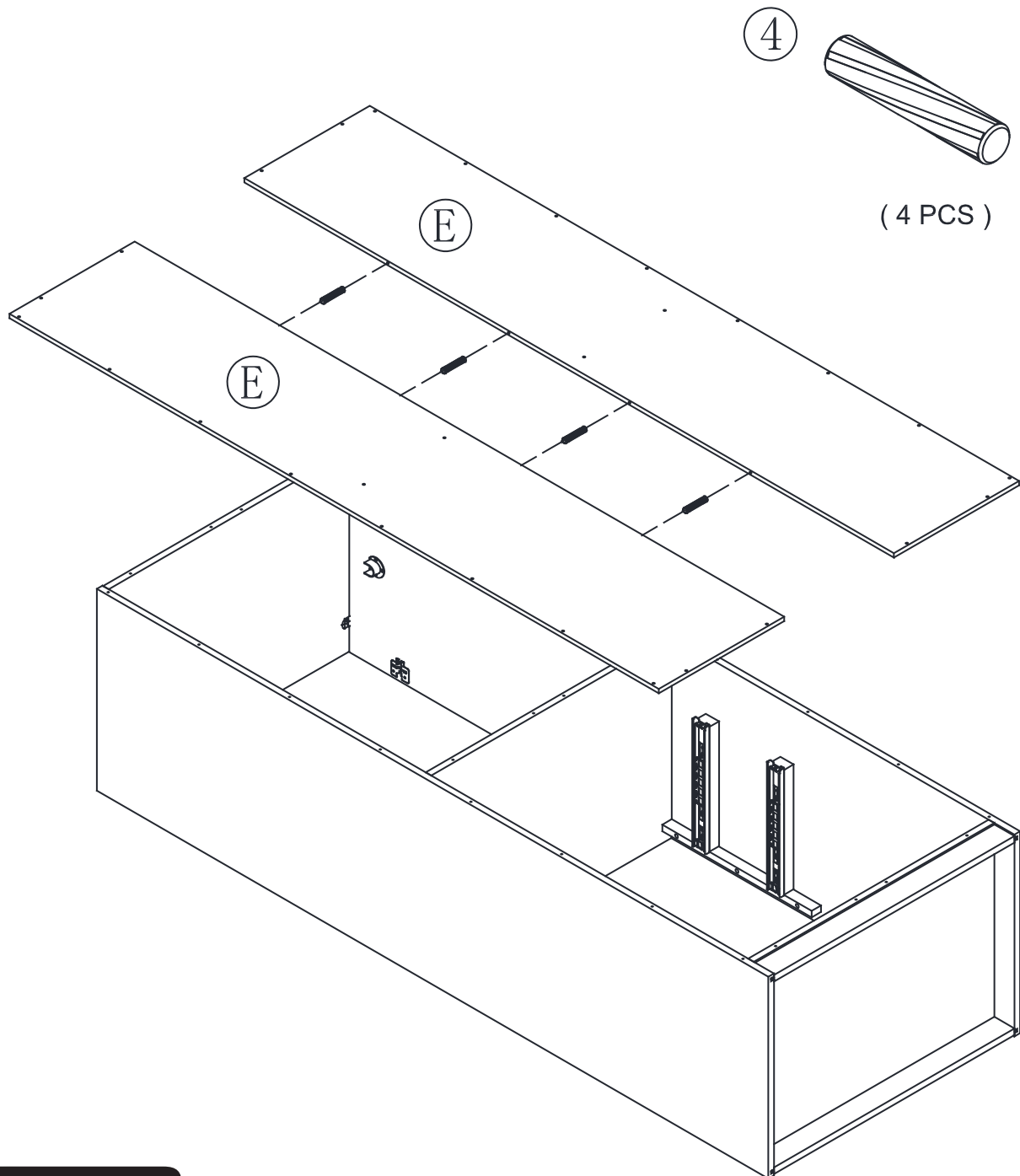
Step 3

- ◆ Insert six WOOD DOWELS to the MOLDING (H).
- ◆ Attach the MOLDING (H) to the ENDS (C and D), slide the PLASTIC CONNECTIONS to the grooves.



Step 4

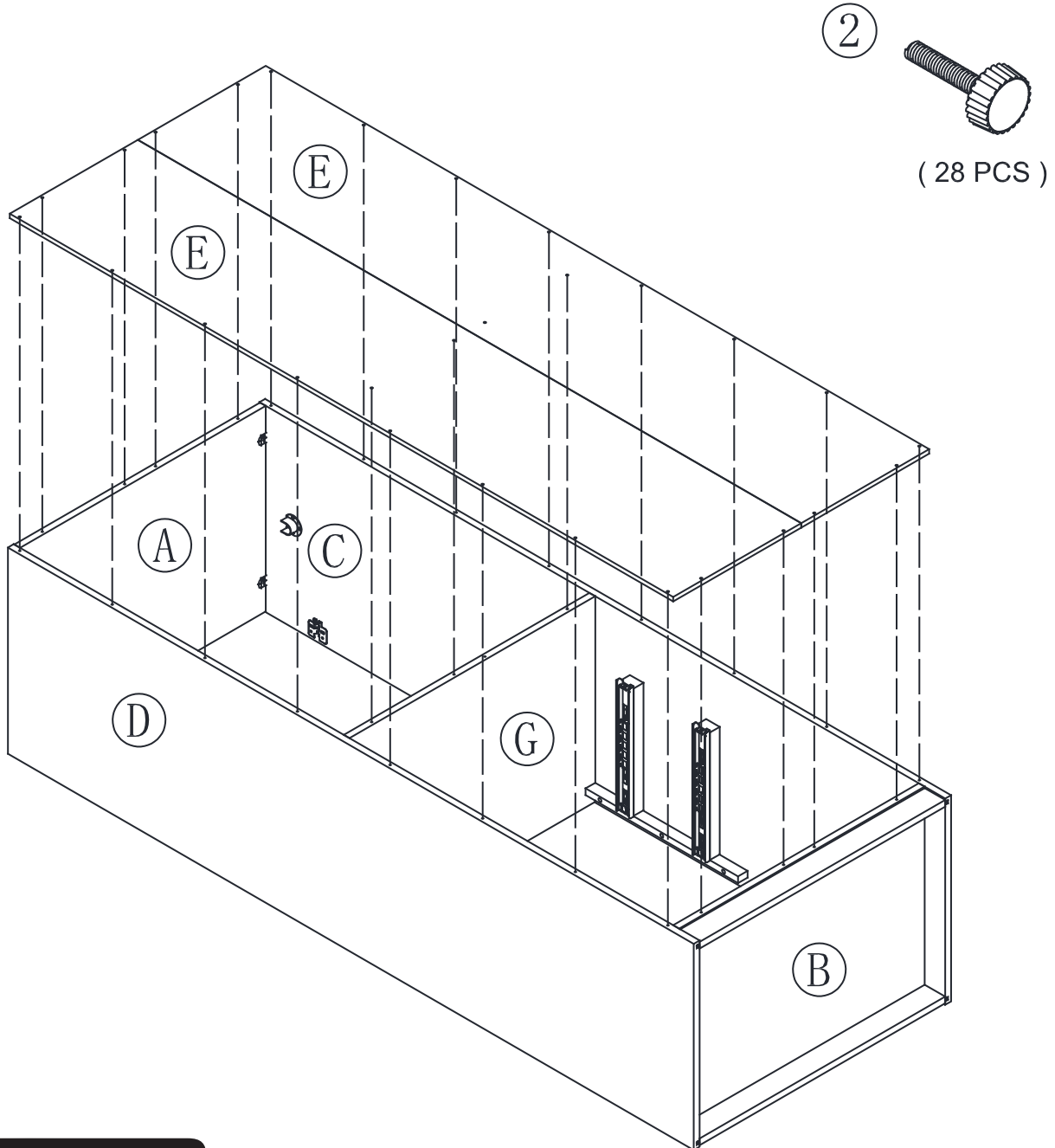
◆ Attach two BACKS (E) by the four WOOD DOWELS.



Step 5

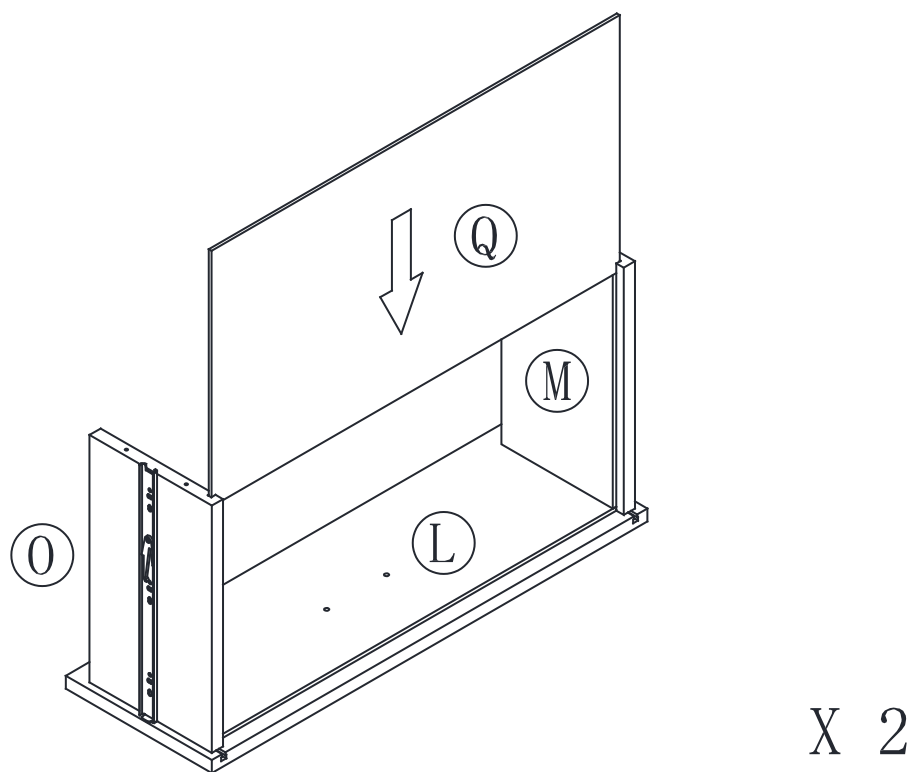
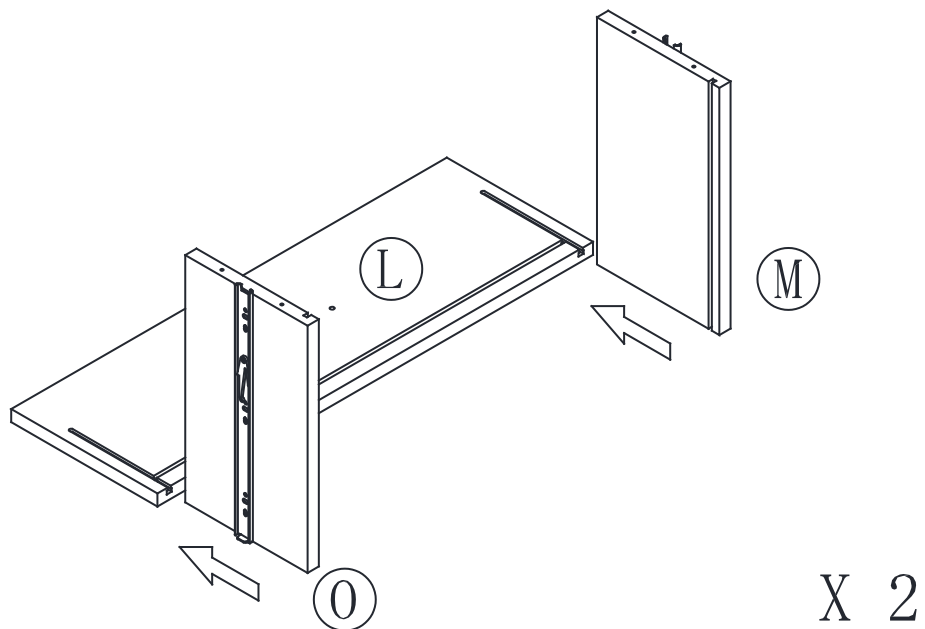
- ◆ Fasten the BACK (E) to the TOP (A), ENDS (C and D), MIDDLE SHELF (G) and the BOTTOM (B). Use twenty-eight BOLTS (2).
- ◆ You should start each BOLT a few turns before completely tightening any of them.

Note : First tight the screw from the middle, then continue to tight the other screws.



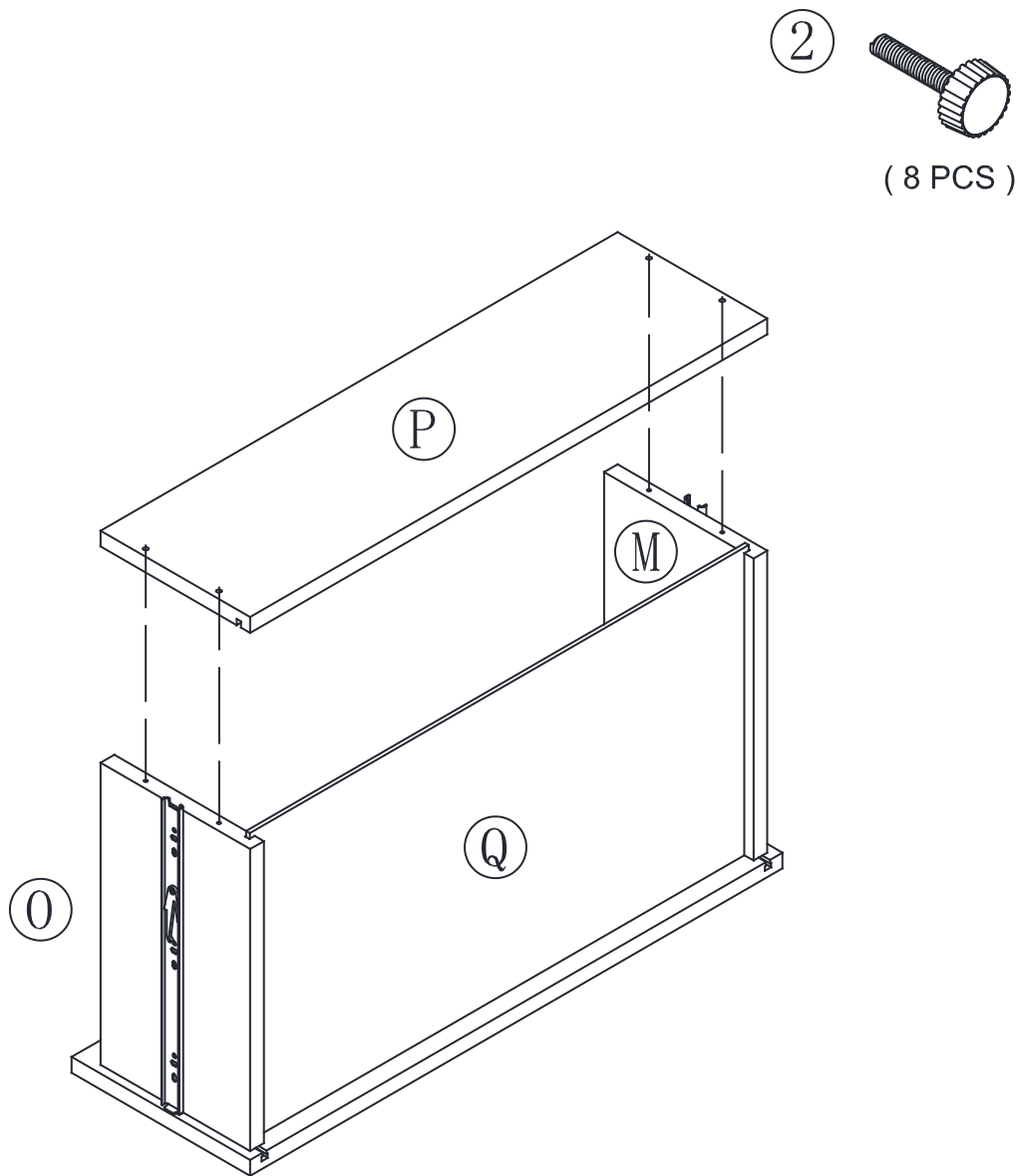
Step 6

- ◆ Attach the DRAWER SIDES (M and O) to the DRAWER FRONT (L), slide the PLASTIC CONNECTIONS to the grooves.
- ◆ Slide a DRAWER BOTTOM (Q) into the grooves. in the DRAWER SIDES (M and O) and DRAWER FRONT (L).



Step 7

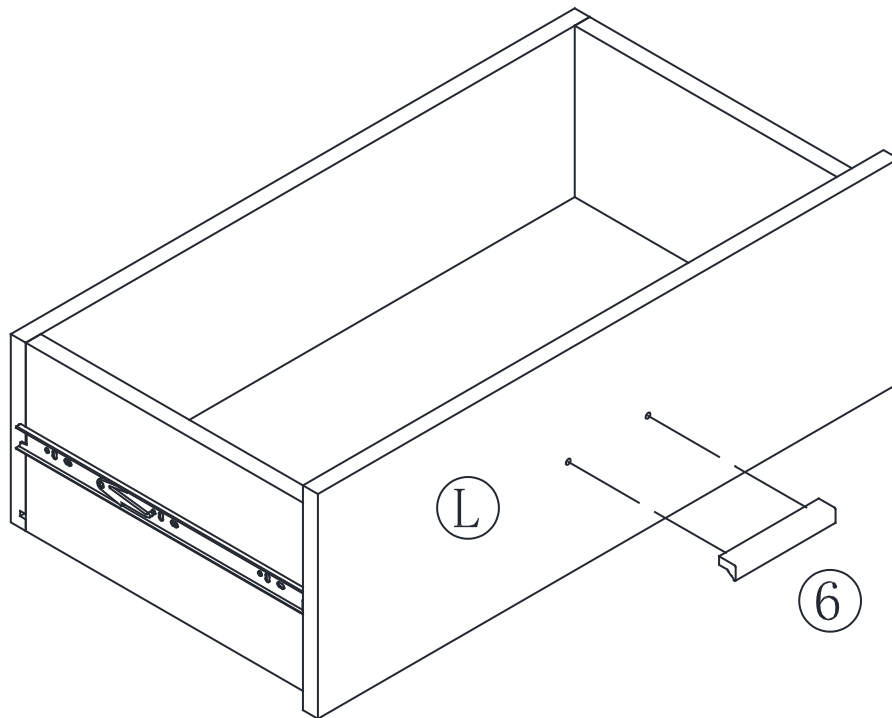
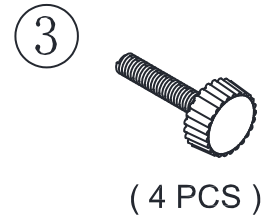
- ◆ Fasten the DRAWER BACK (P) to the DRAWER SIDES (M and O). Use eight BOLTS (2).



X 2

Step 8

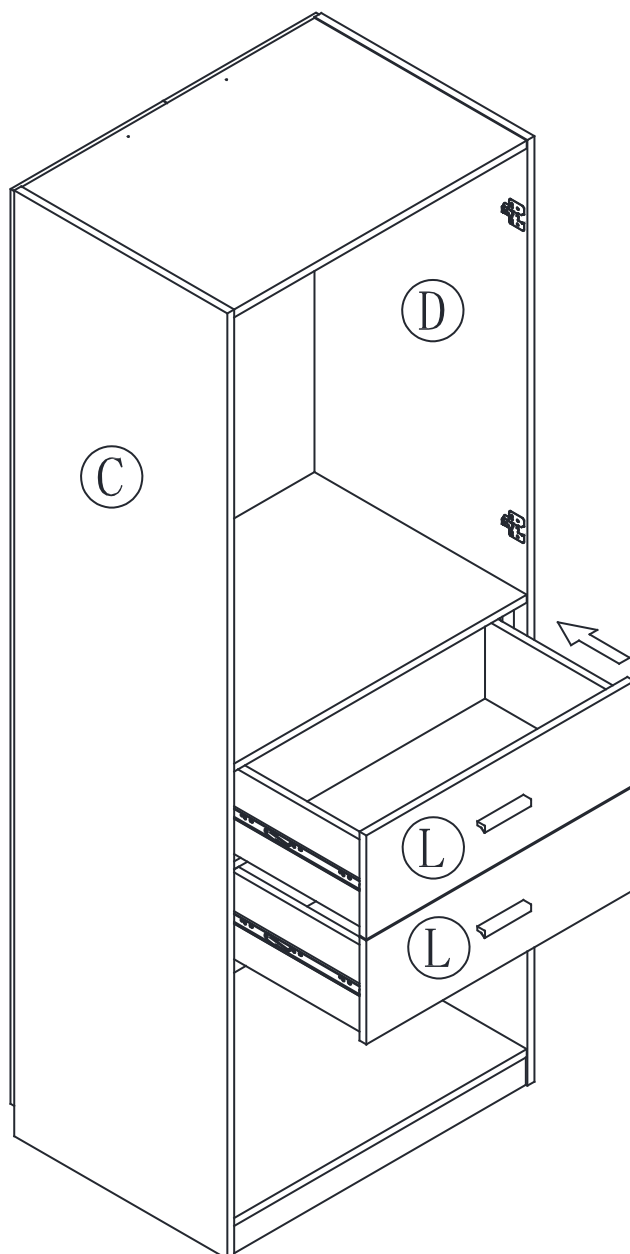
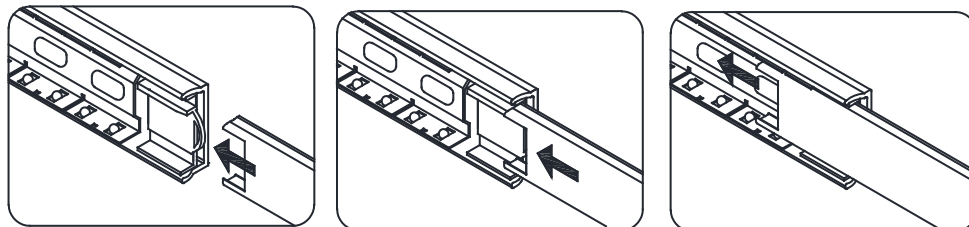
- ◆ Fasten the DRAWER PULL (6) to the DRAWER FRONT(L). Use four BOLTS (3).



X 2

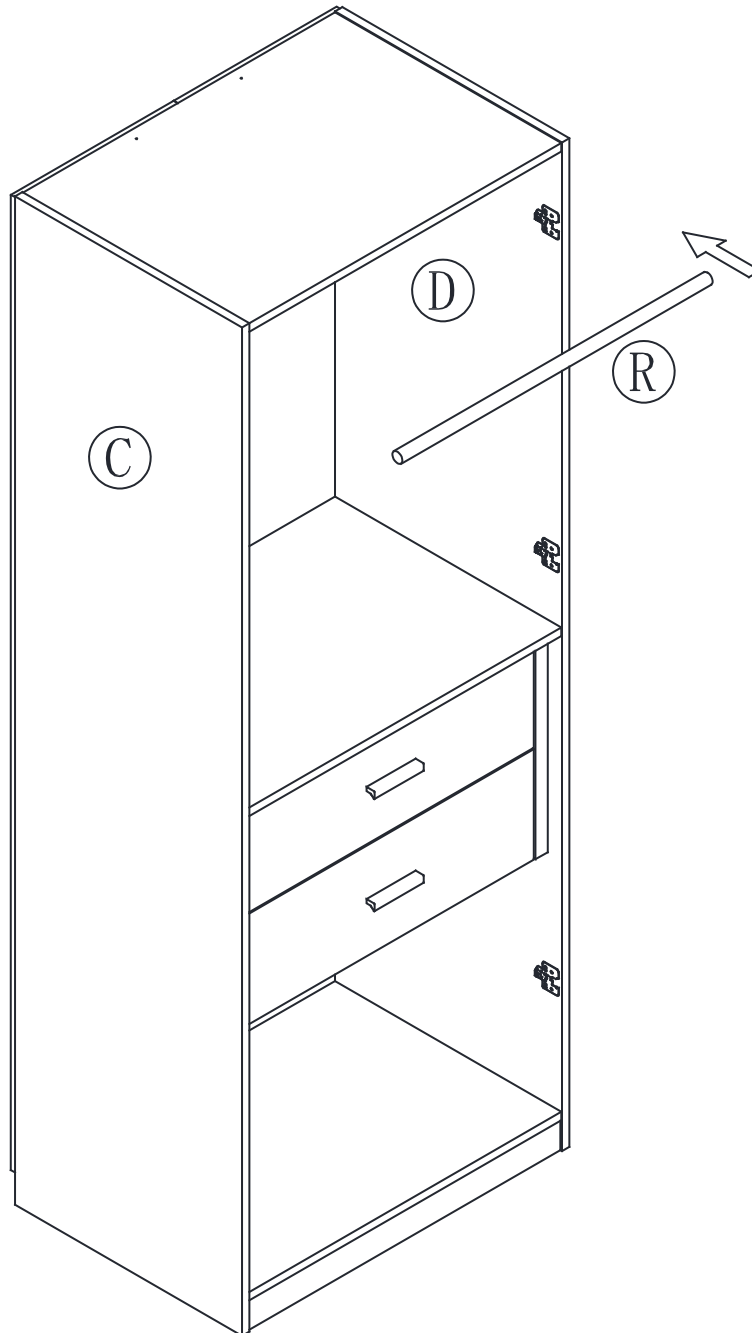
Step 9

- ◆ To insert the DRAWERS into your unit, line up the EXTENSION SLIDES on the drawer with the EXTENSION RAILS on the unit and push the drawer into the unit until the drawer is fully inserted. The drawer will push in hard until it is all the way in, then it will slide in and out easier.



Step 10

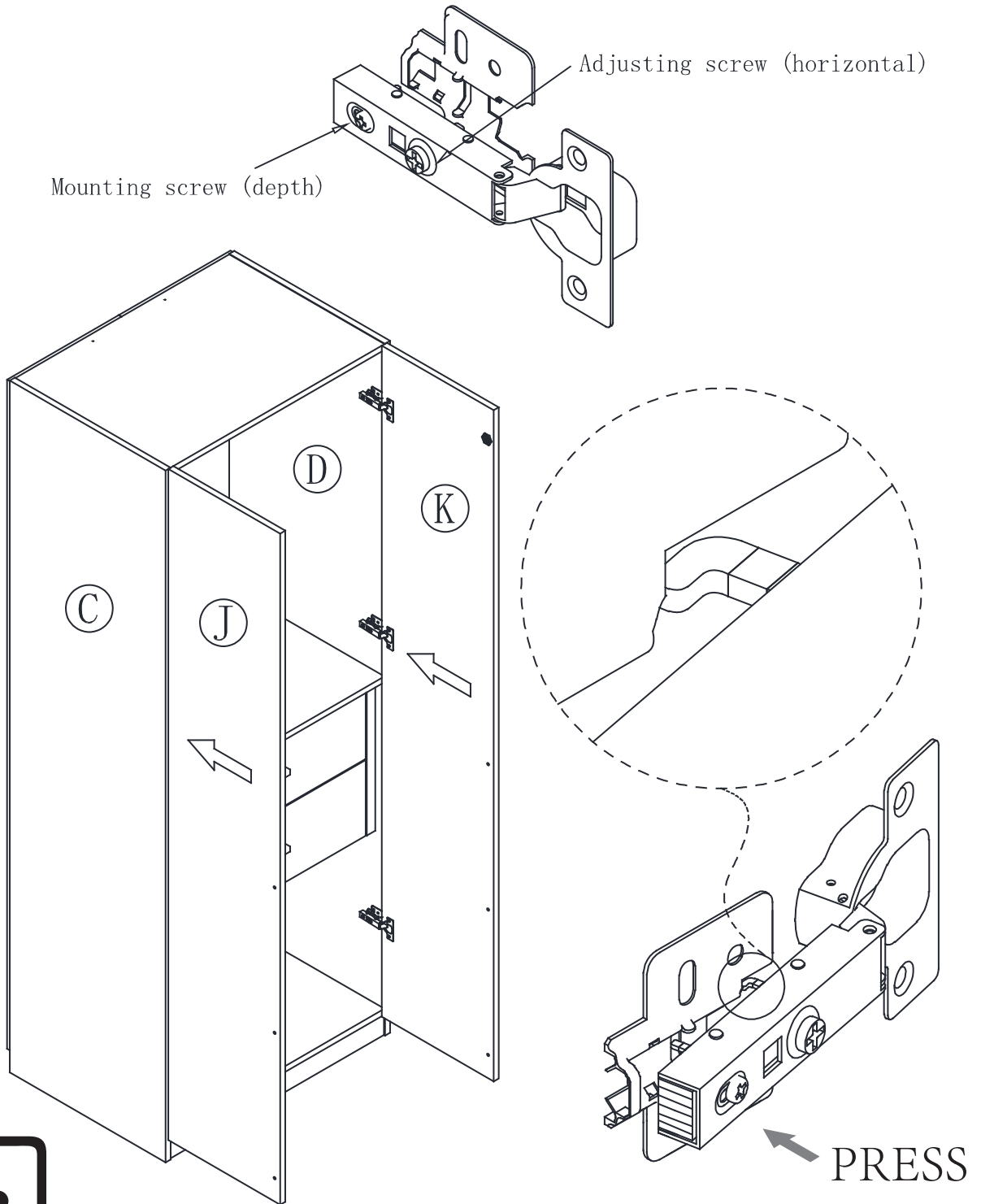
- ◆ Put the HANGER ROD (R) onto the slot on ENDS (C and D).



Step 11

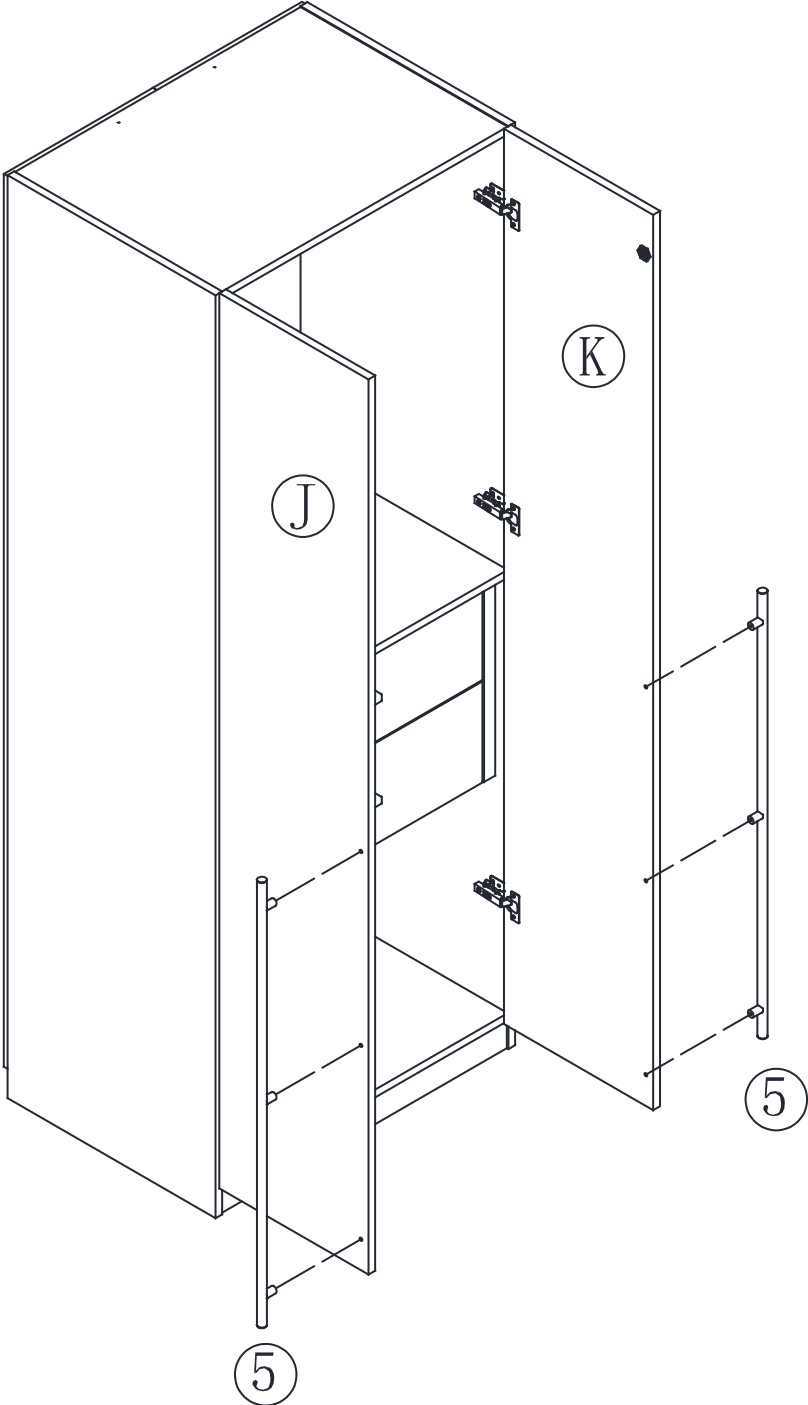
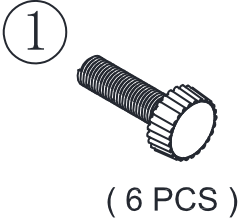
- ◆ Carefully stand your unit upright.
Fasten the DOORS (J and K) to the ENDS (C and D).

Note : The hinges should be hooked first from the top to the middle and lower hinge combinations in the "PRESS" order. Note that the hinge leaf must be inserted into the slot along the angle.



Step 12

◆ Fasten the DOOR PULLS (5) to the DOORS (J and K). Use six BOLTS (1).



Step 13

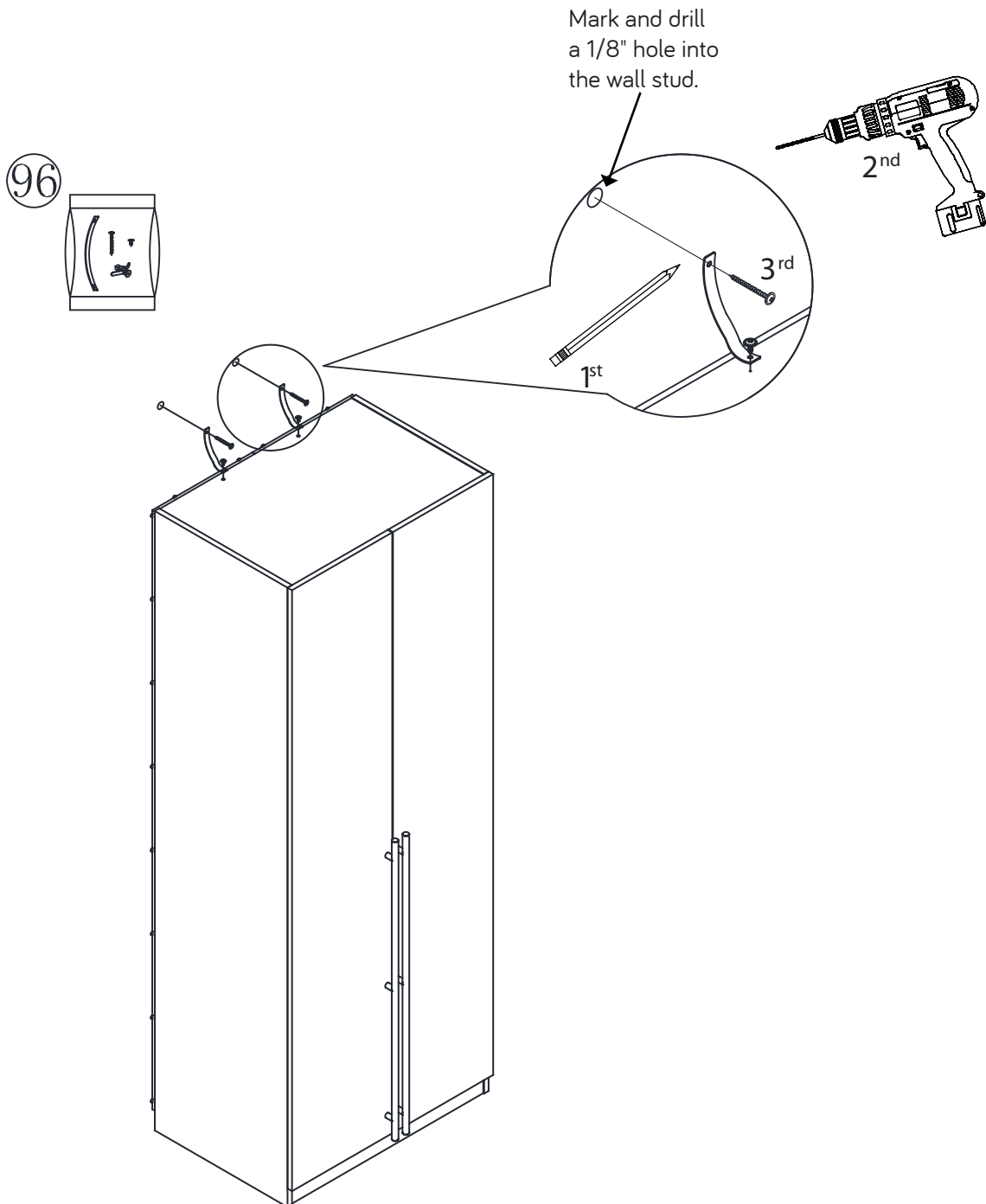
Open the FURNITURE TIPPING RESTRAINT KIT (96) and fasten the SAFETY STRAP to the TOP (A).

- ◆ Use the SHORT SCREW through the hole in the strap and into the top surface of the TOP (1). Place your unit in its final location.

- ◆ NOTE: The following instructions show your unit being fastened to a wall stud. If you are not fastening your unit wall stud, go to the next step now.

1st- Locate the center of a stud in your wall near your unit and mark it with a pencil.

- ◆ 2nd- Drill a 1/8" hole on the mark and into the stud in your wall.
- ◆ 3rd- Fasten the unit to the wall. Use the LONG SCREW through the other end of the SAFETY STRAP and into the 1/8" hole.



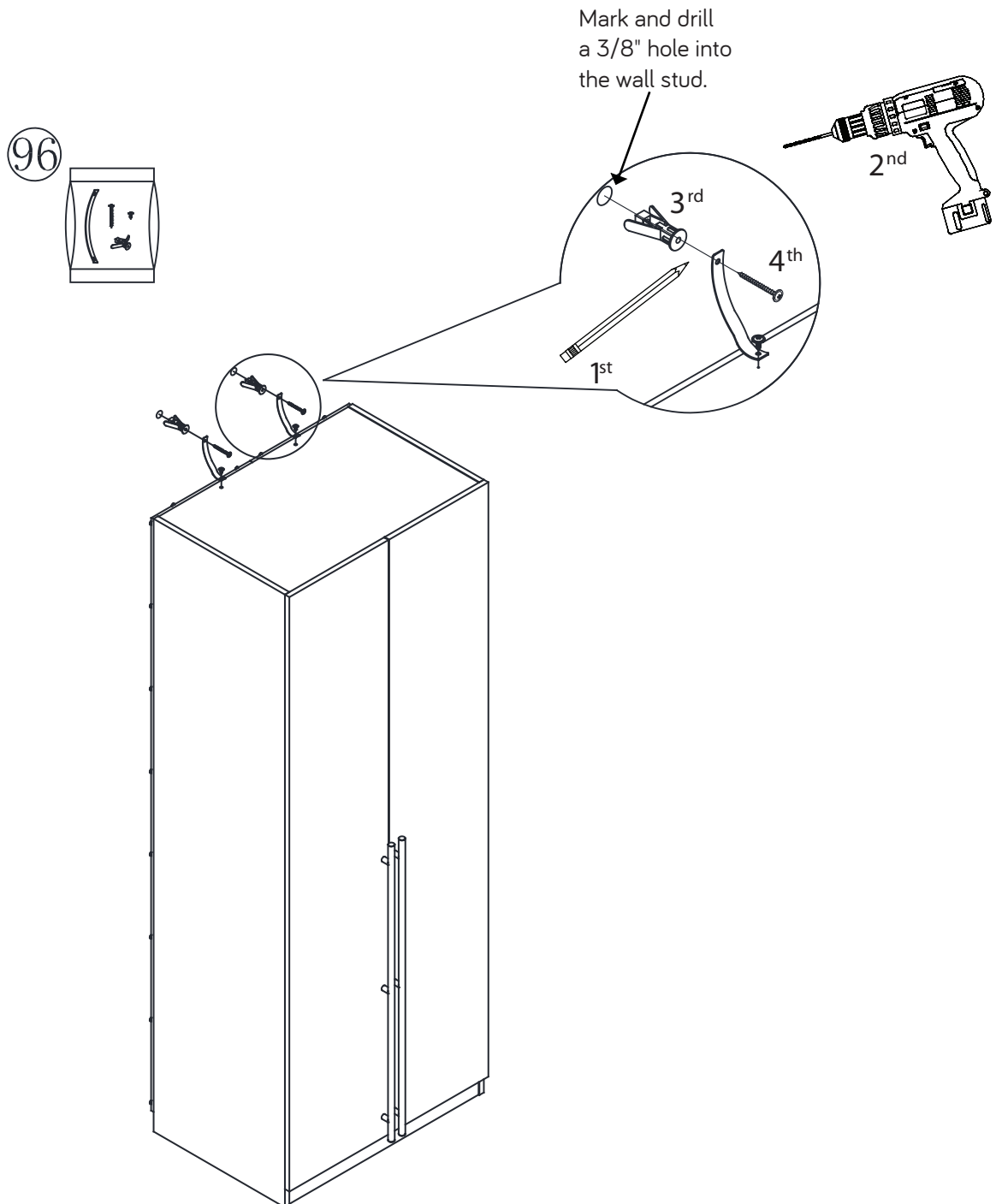
Step 14

1st- With your pencil, strike a mark through the center of the hole in the SAFETY STRAP.

2nd- Drill a 3/8" hole on the mark.

- ◆ 3rd- While you squeeze the wings together, gently tap the WALL ANCHOR from the FURNITURE TIPPING RESTRAINT KIT (96) into the hole until it is even with the surface of the wall.
- 4th- Turn the LONG SCREW through the hole in the SAFETY STRAP and into the WALL ANCHOR.

- ◆ NOTE: You will need to turn the LONG SCREW multiple turns to completely tighten and secure your unit.





MANHATTAN
COMFORT

WARRANTY POLICY

All Manhattan Comfort furniture products are warranted, to the original purchaser at the time of purchase and for a period of 30 days thereafter.

Our warranty is limited to new products purchased in factory sealed cartons. This warranty is valid in the United States of America and Canada.

In order to provide you with timely assistance, please thoroughly inspect your furniture for missing or defective parts immediately after opening the carton.

Manhattan Comfort offers a 30-day parts replacement warranty on all items.

Our furniture products are not intended for outdoor use.

THE WARRANTY DOES NOT COVER:

- Defects/damages by improper assembly or disassembly.
- Defects/damages caused by shipping. Claims for damage during transit should be placed immediately to the transportation company.
- Defects/damages caused by inappropriate use of the furniture.



319 Ridge Rd. Dayton, NJ 08810

908-888-0818