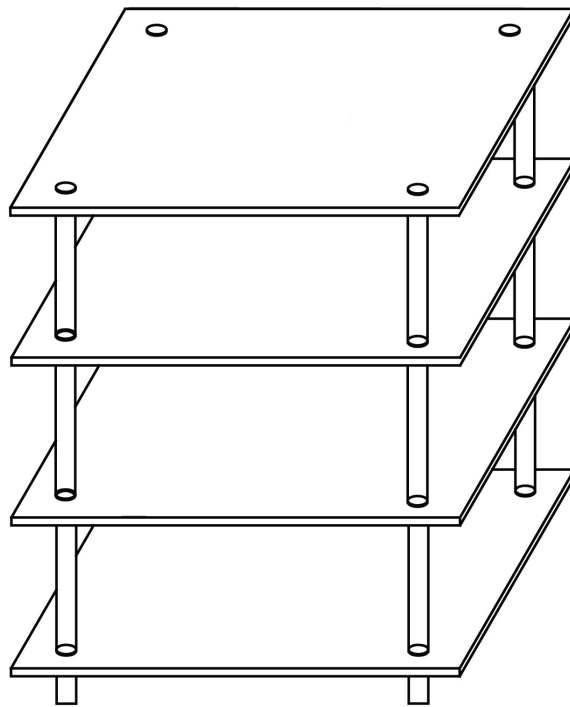


# CONVENIENCE CONCEPTS

## 4 Tier Tower Bookcase

151053



### **ASSEMBLY INSTRUCTIONS**

---

We have designed our furniture with you , the customer in mind . Our clear , easy to follow , step by step instructions will guide you through the project from start to finish . Feel confident that this will be a fun and rewarding project . The final product will be a quality piece of furniture that will go together smoothly and give years of enjoyment .

---



Please do not return to the store

Broken or missing parts?

Need help with assembly?

If you have any questions just call 1-800-468-6447 or email us at

[parts@convenience-concepts.com](mailto:parts@convenience-concepts.com)

## Hardware List

(A) End Caps X4



(B) Shelves X4



(C) Metal Poles X12



(D) Plastic Feet X4



(E) Cable Tie X 2



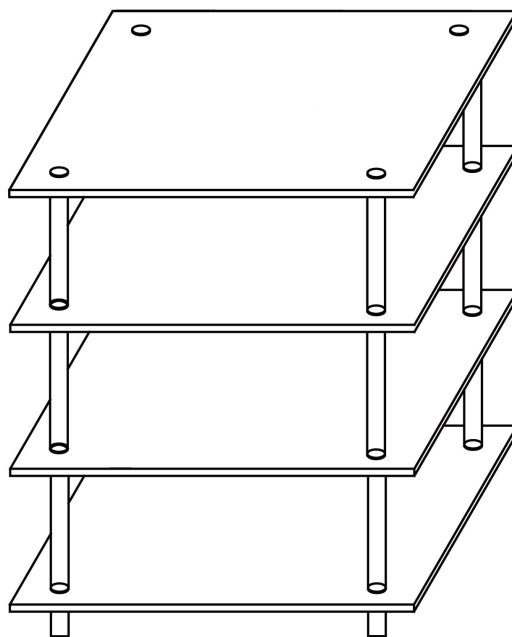
(F) Eyelet Screw X 2



(G) Plastic Anchor X 2

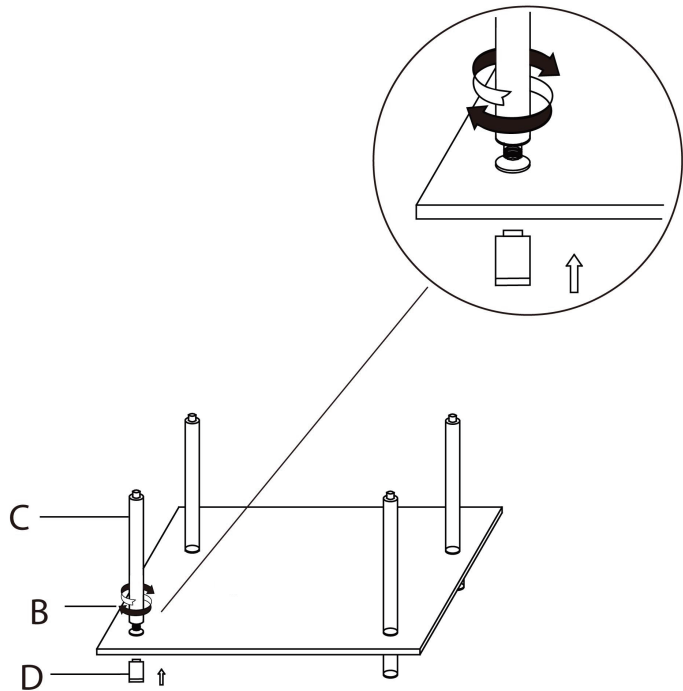


## Exploded Views



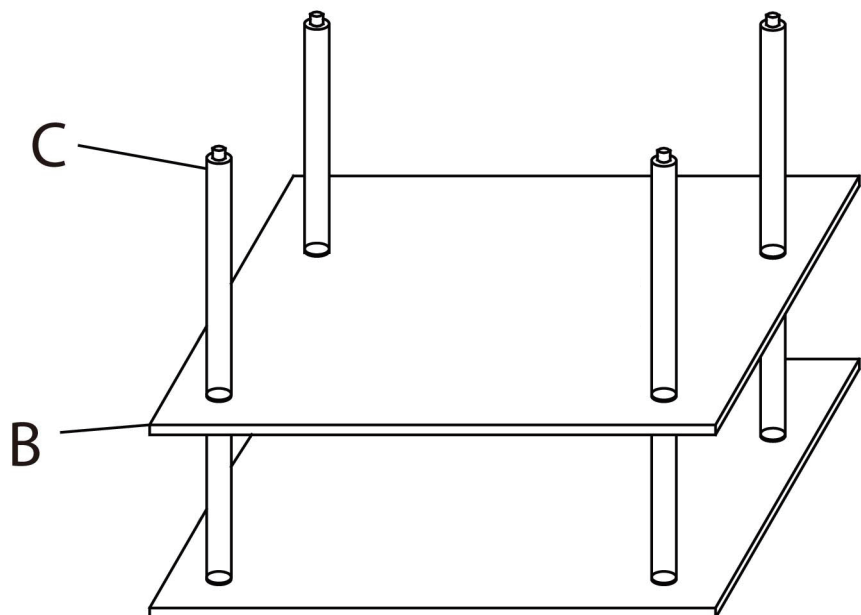
## Step 1

- (1) Place shelf (B) on top of Plastic Feet (D).
- (2) Gently screw Poles (C) into Plastic Feet (D) using care not to over tighten.



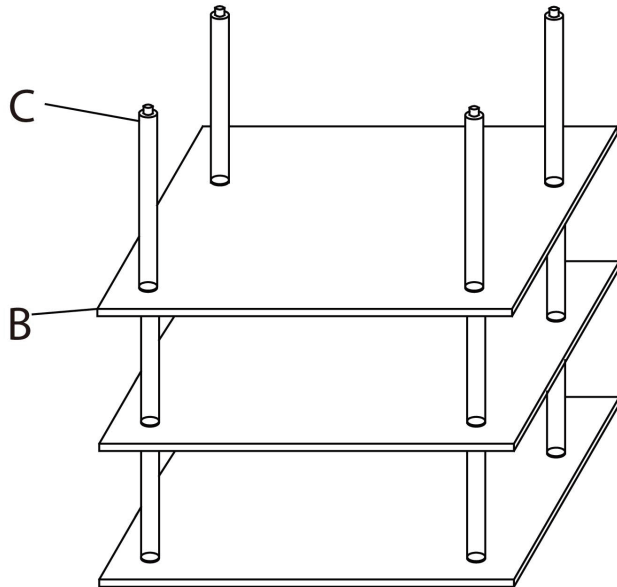
## Step 2

- (1) Place shelf (B) onto Metal Poles (C).
- (2) Gently screw Poles (C) into unit using care not to over tighten.



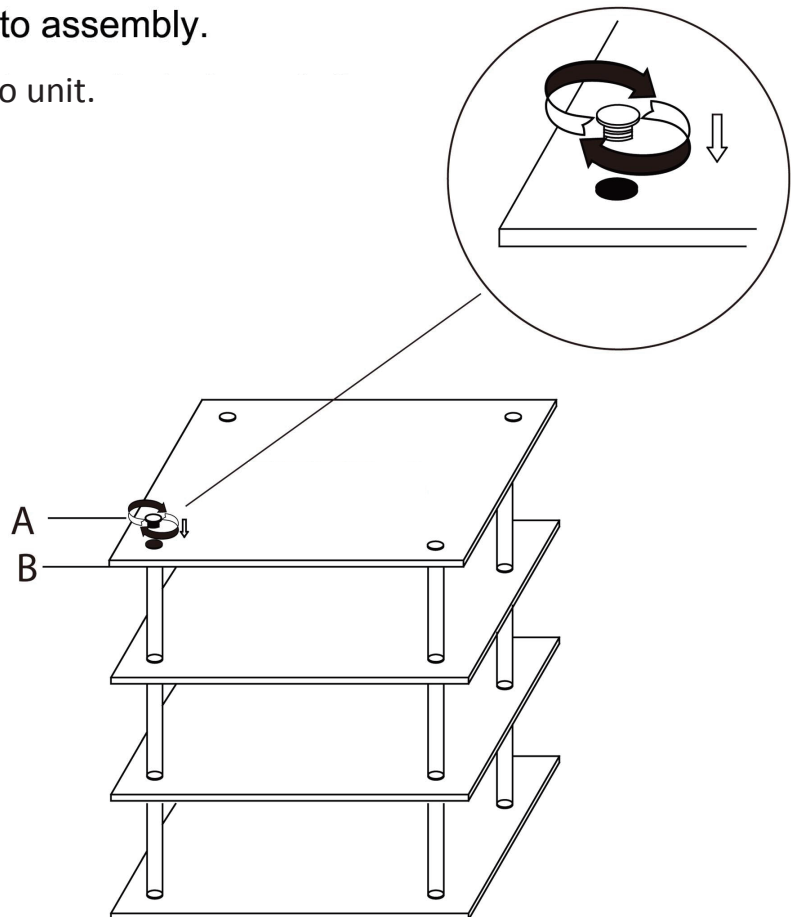
### Step 3

- (1) Place Board (B) onto Metal Poles (C).
- (2) Gently screw Poles (C) into unit using care not to over tighten.



### Step 4

- (1) Place final Board (B) onto assembly.
- (2) Screw End Caps (A) into unit.



## Step 5

1. Drill holes slightly smaller than anchors (G) into drywall and gently tap anchors into holes.
2. Screw eyelet screws (F) into anchors and fasten unit to wall using cable ties (E).

