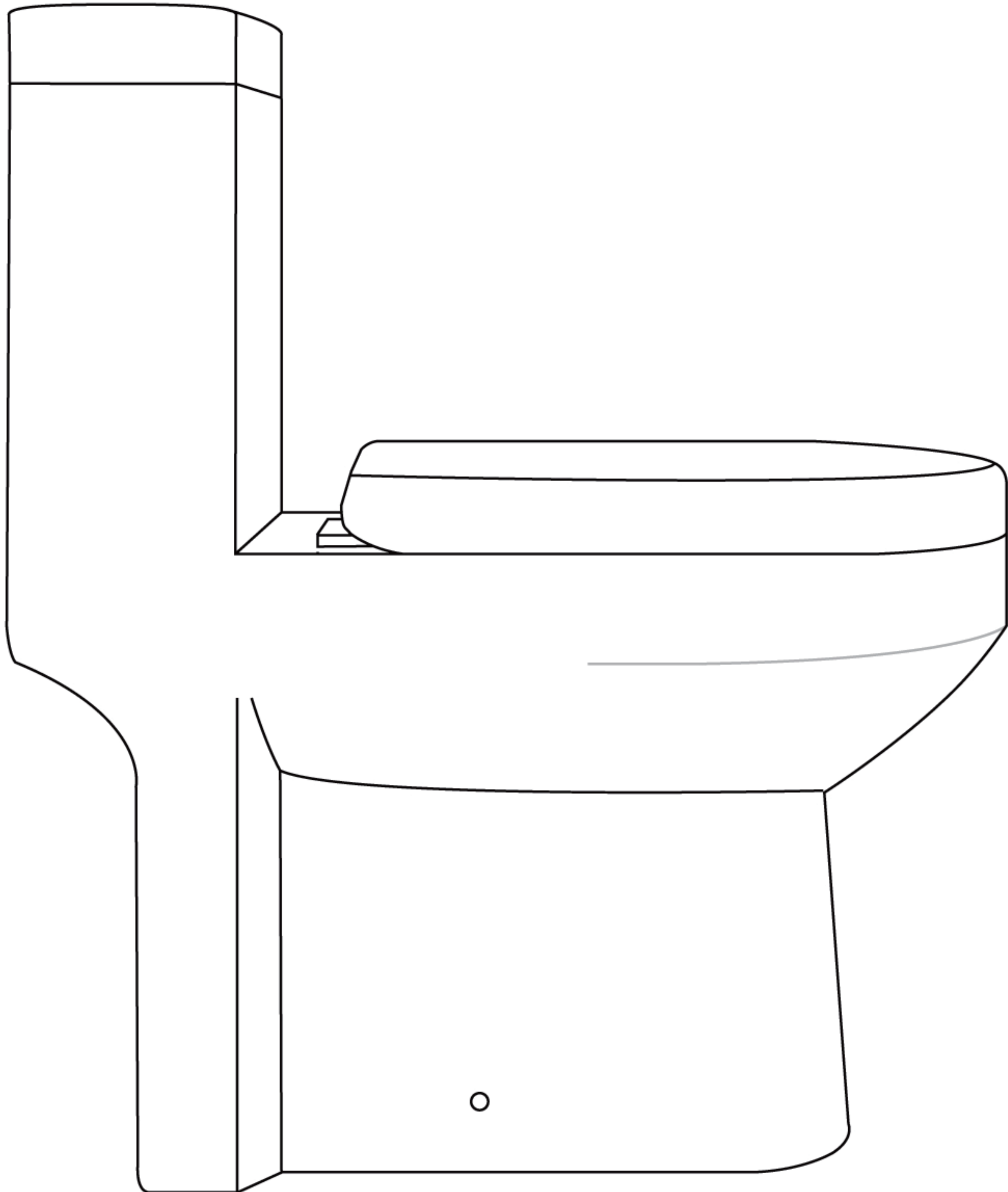


# INSTALLATION INSTRUCTIONS

DeerValley®

## One-Piece Toilet





## Prior to Installation:

- Inspect toilet to ensure no damages have occurred while in shipping.
- Observe all plumbing and building codes in accordance with your state and local requirements.
- Remove old toilet.
- Make sure mounting surface is CLEAN and LEVEL.

### General Recommendations:

Please read installation and maintenance instructions thoroughly before installing the toilet.

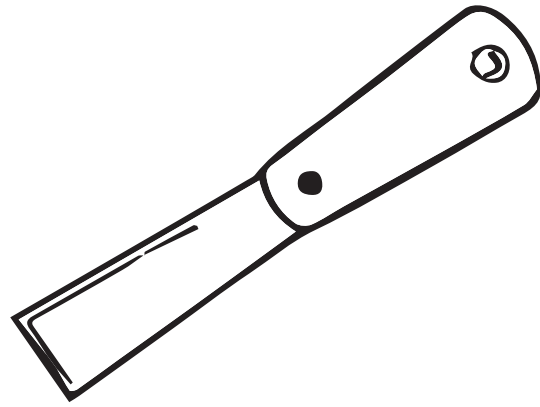
Be sure to use proper tools and always wear proper personal safety accessories for your protection.

**If you have any questions or concerns  
please contact us:**

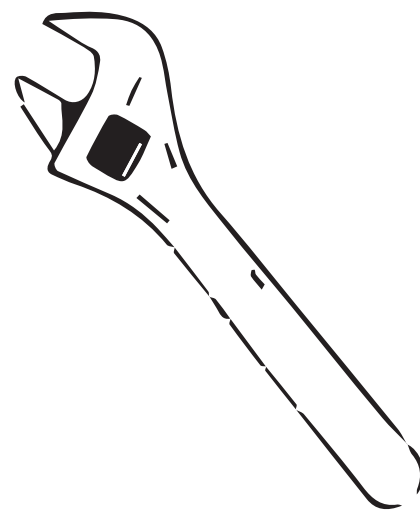
312-626-9466

[service@deervalleybath.com](mailto:service@deervalleybath.com)

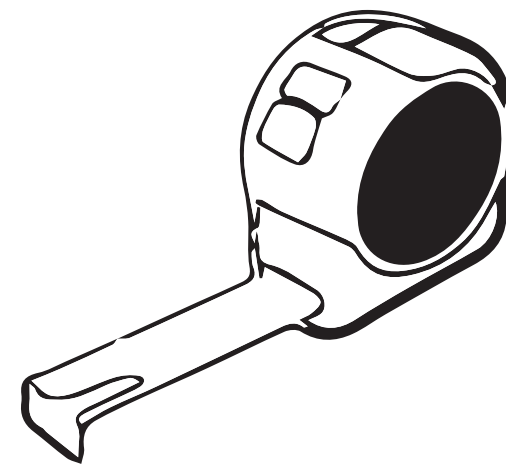
## SUGGESTED TOOLS AND MATERIALS



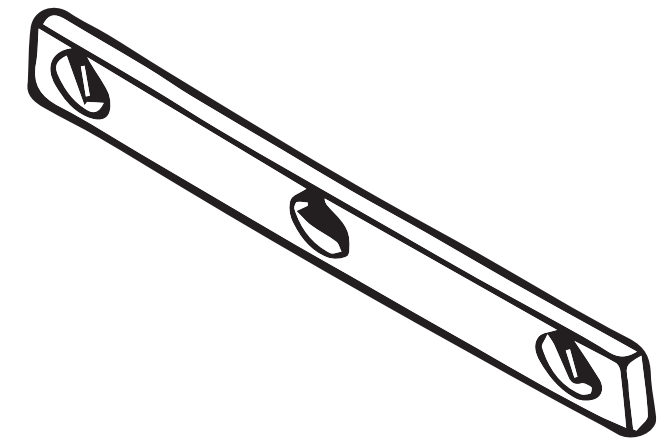
Putty Knife



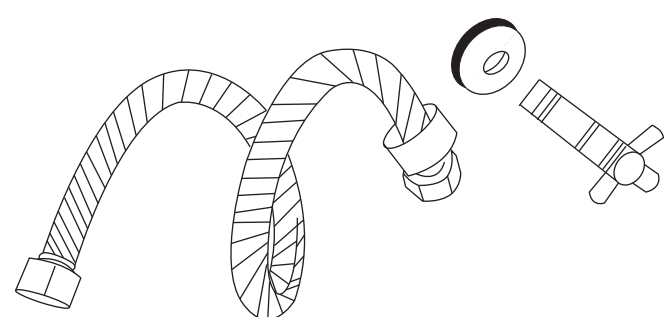
Wrench



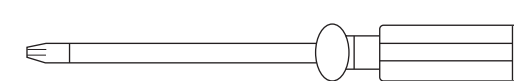
Tape Measure



Level



Water Supply Kit



Cross Screwdriver

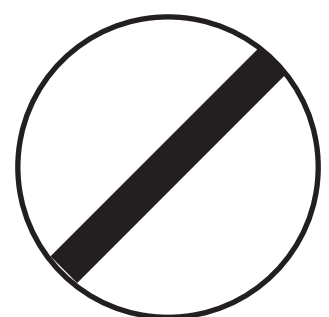
## PARTS LIST

- Tank lid, water fitting, soft-close toilet seat, bolts kit, wax ring, installation instruction.

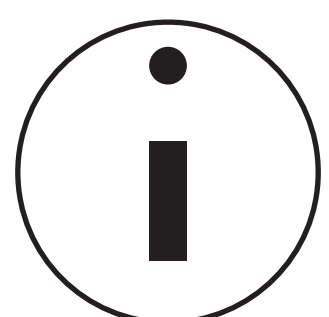
The step-by-step guidelines in the installation instructions are a general reference for installing a DeerValley One-Piece Toilet. Should there be any discrepancies, DeerValley cannot be held liable. It is recommended to install all DeerValley products by hiring a licensed professional.



1. Read the complete instruction manual before beginning installation.



2. Confirm that your model will fit in intended location and plumbing fixtures are located where legally required before beginning installation.



3. Not all drawings on this manual are drawn to scale. Please refer to the model chart.

4. Two people are recommended to install and move this product.

5. Product is FRAGILE! To avoid breakage and possible injury handle with care.

NOTE: Specialized tools may be necessary to install DeerValley One-Piece Toilet, plumbing not included.

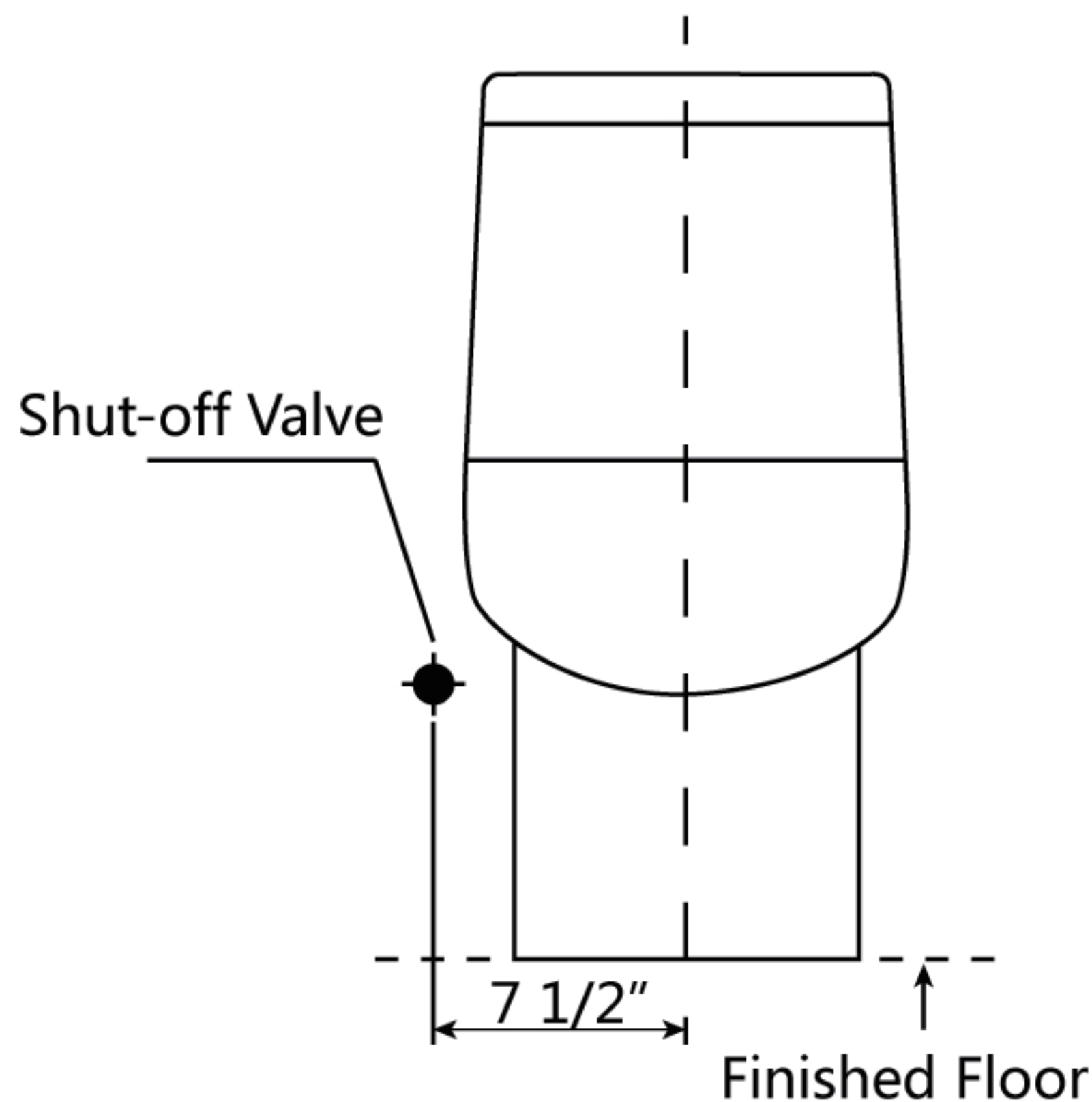
## 1. Remove Old Toilet

- Turn off the water supply.
- Flush the toilet to empty the tank. Remove any water left in the tank or bowl.
- Disconnect the supply line from the tank.
- Remove decorative caps. Unscrew nuts that attach the toilet to the floor.
- Remove toilet.
- Make sure the water supply valve is shut off before installation.
- Remove old closet bolts from closet flange. Clean any old wax, putty, etc. from base area.

### IMPORTANT NOTE REGARDING WATER SUPPLY:

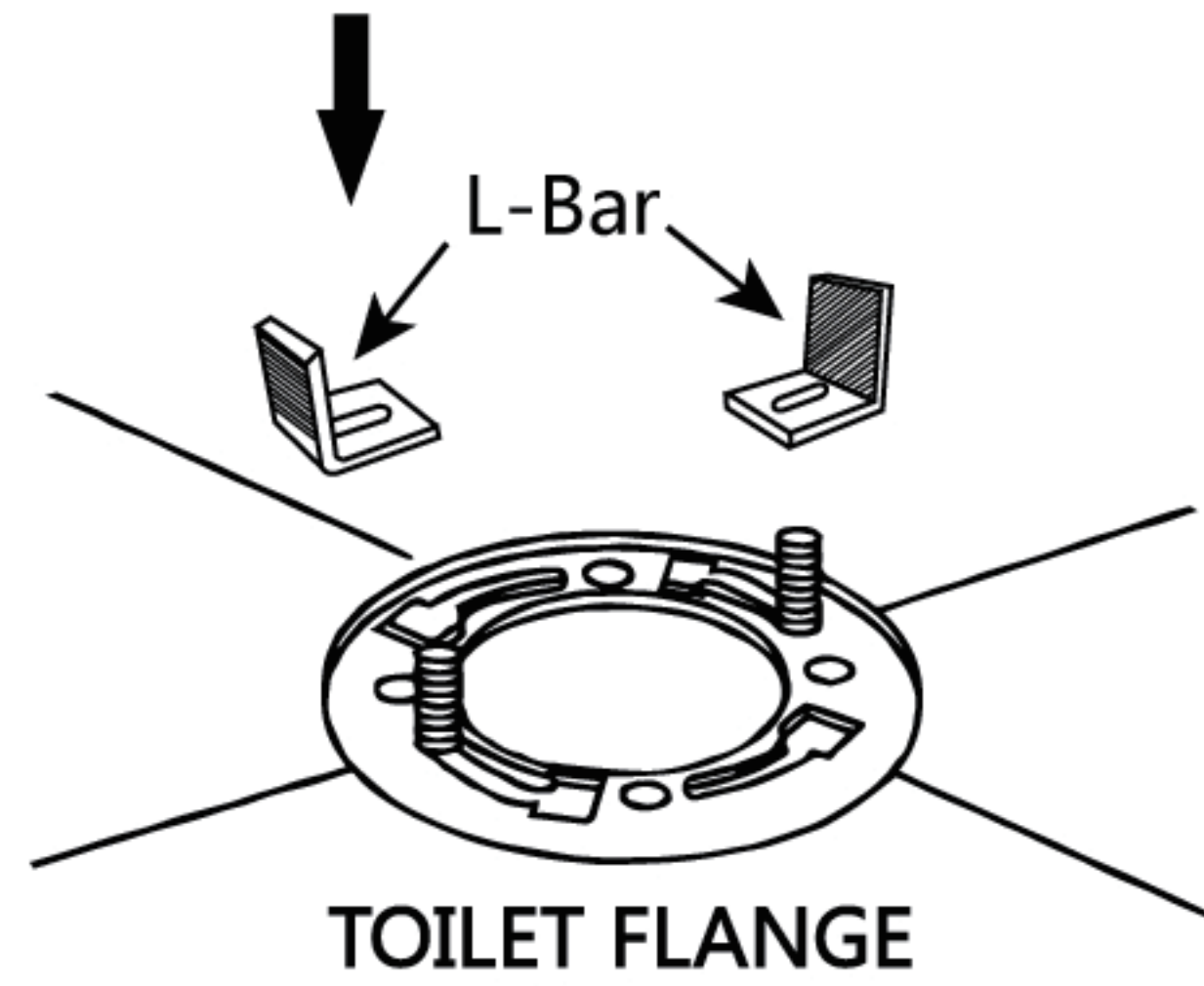
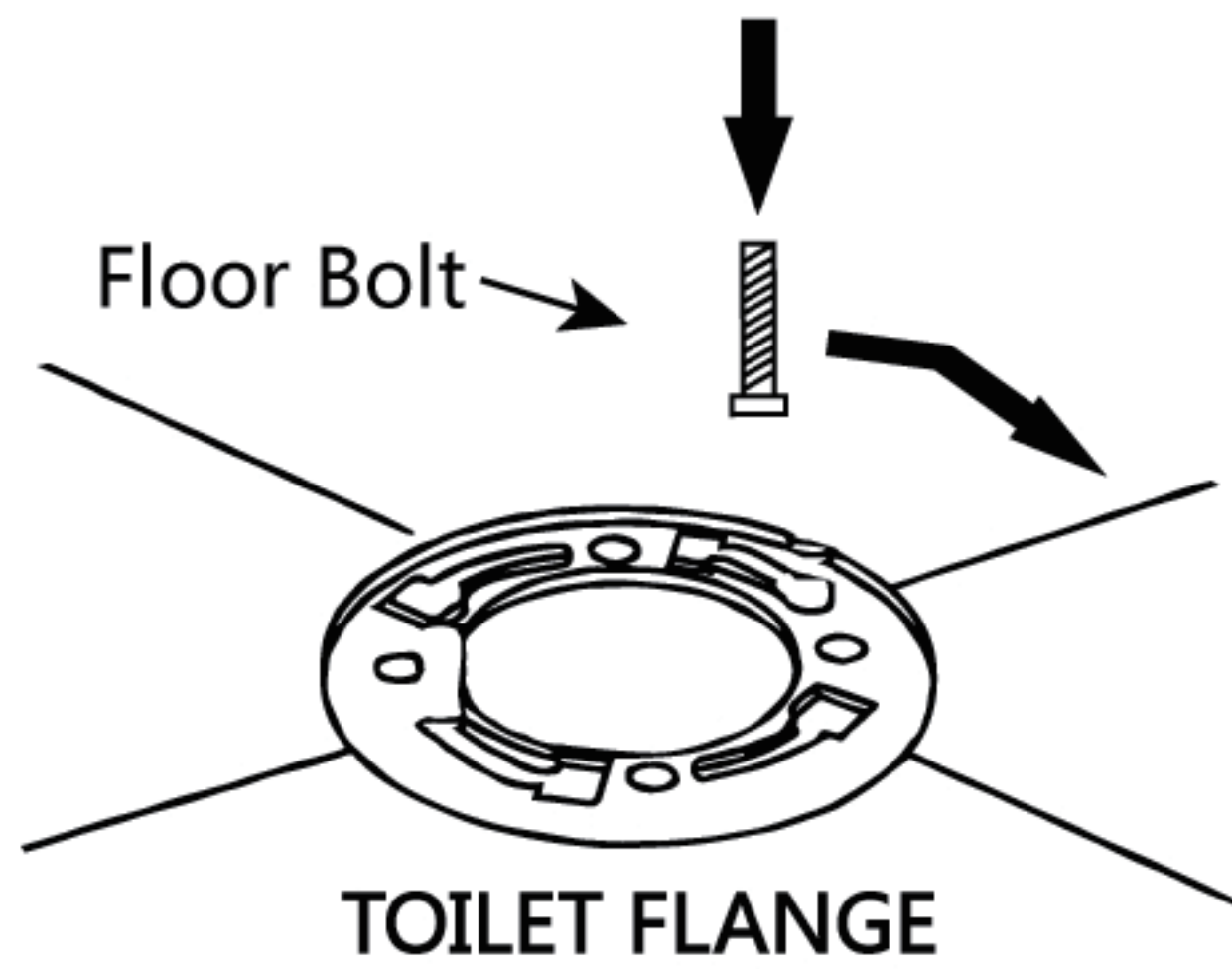
Before installation ensure that the shut-off valve is greater than 7/16" from the center of the drain to the center of the shut-off valve on either side.

**NOTE:** This is a true 12" rough-in toilet from finished wall to center of the drain (no less than 12" ). Baseboard thickness may reduce rough-in dimension.

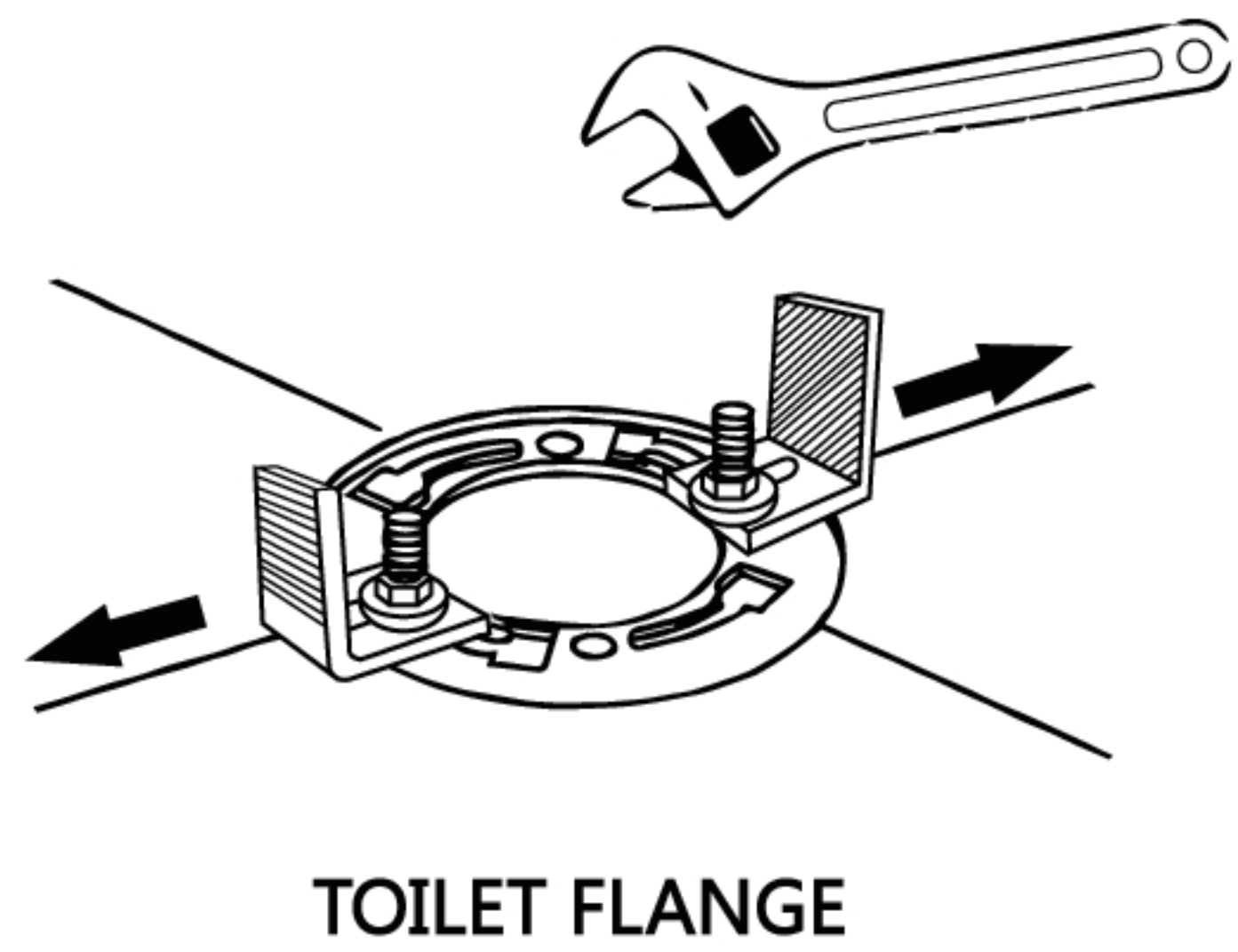
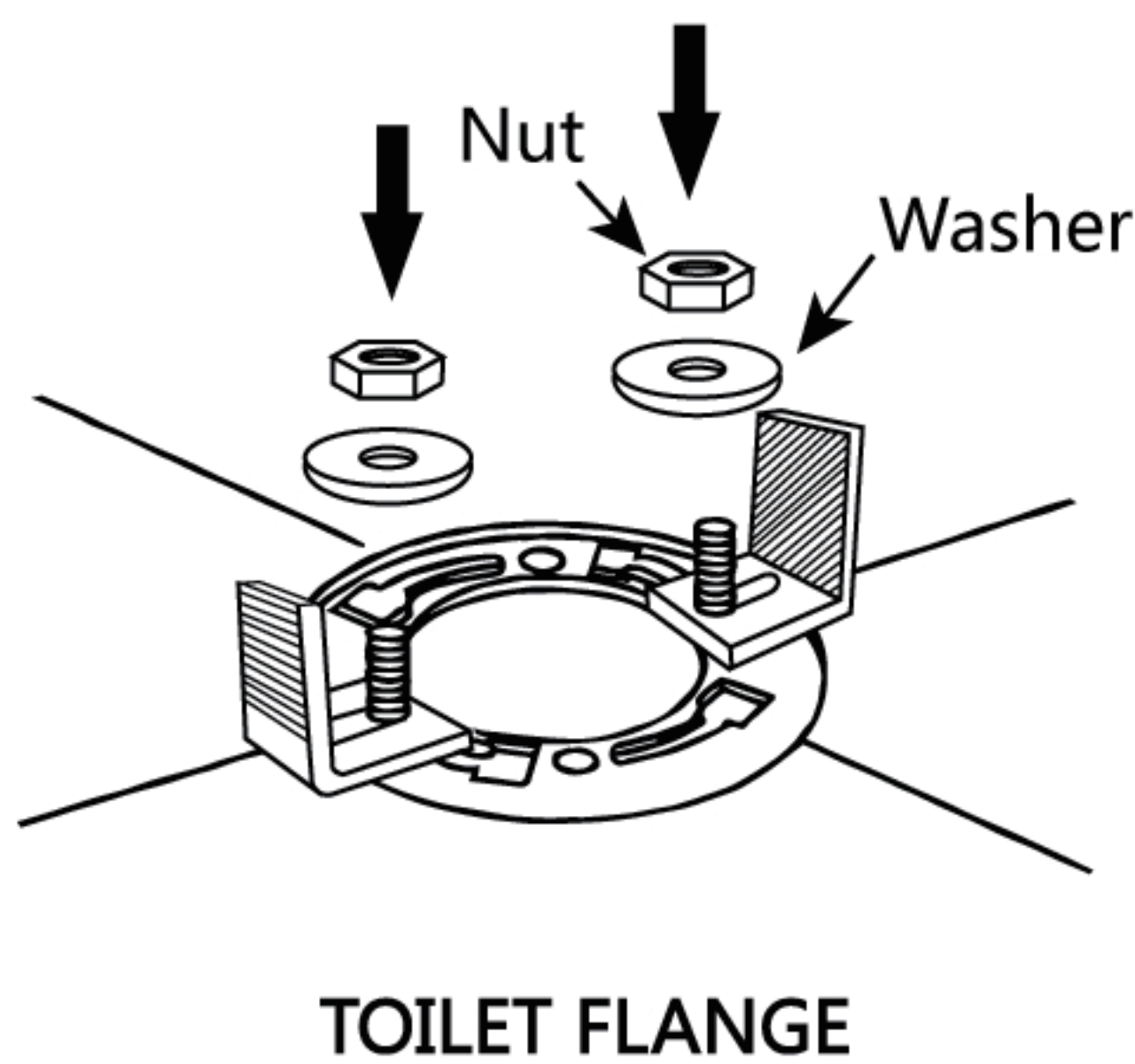


**NOTE:** Drawings may not exactly define contour of the product.

## 2. Install the Floor Bolts and L-bar

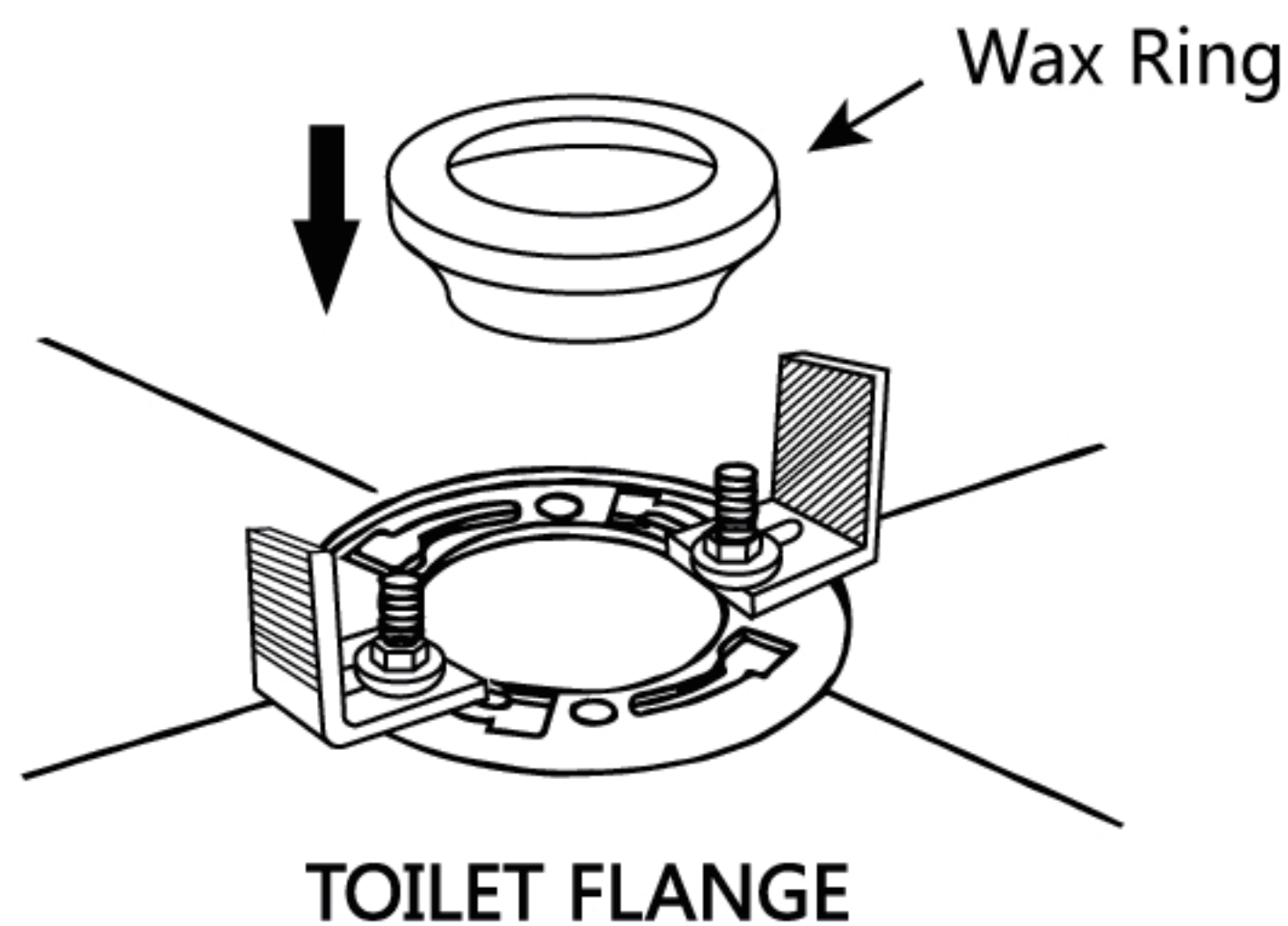


**Note:** The two screws and the center of the flange must be in a straight line.



Pull the L-bar to max distance, then tighten the nuts.

## 3. Install Wax Ring

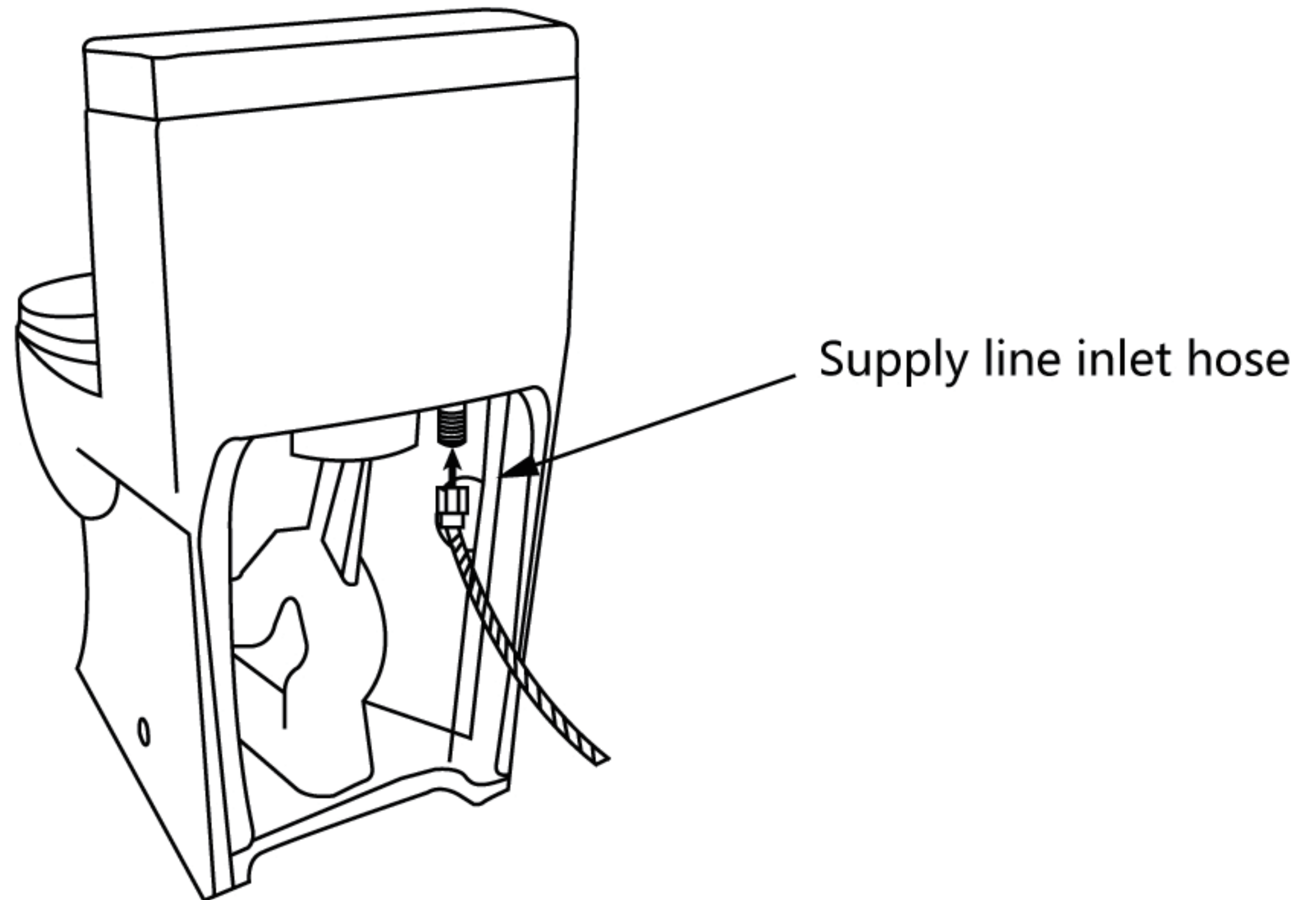


Install the wax ring and adjust the L-bar and fasten it. Please make sure the L-bar in a straight line.

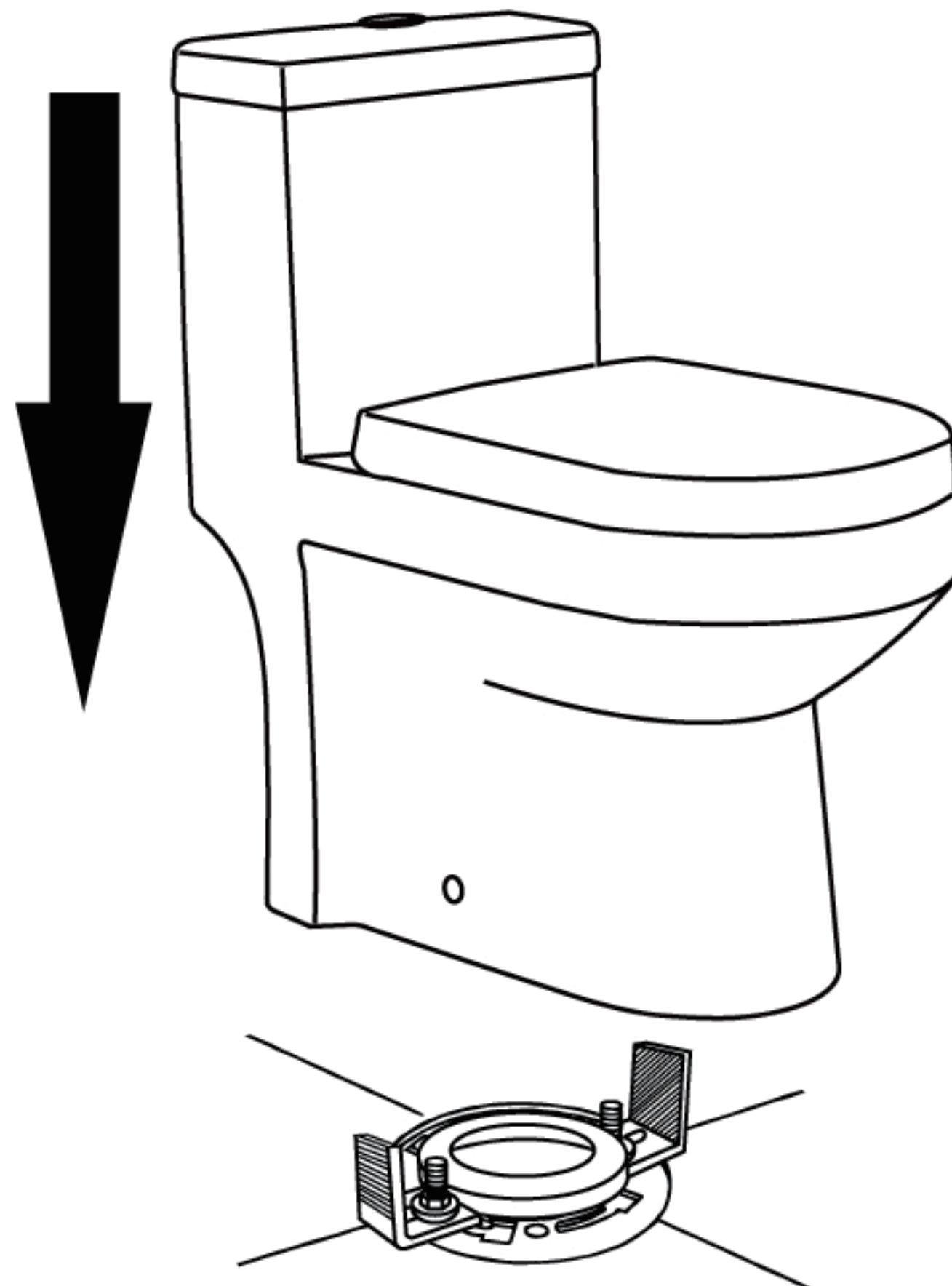
**NOTE:** Drawings may not exactly define contour of the product.

## 4. Connect Supply Line

- Attach flexible water supply line to the inlet of the fill valve and hand tighten only. At this point, DO NOT connect to the water shut-off valve. Choose 1/2" or 7/8" supply line inlet hole according to your supply line size. The supply line inlet hose has an adapter, please screw off the adapter or not according to your supply line size.



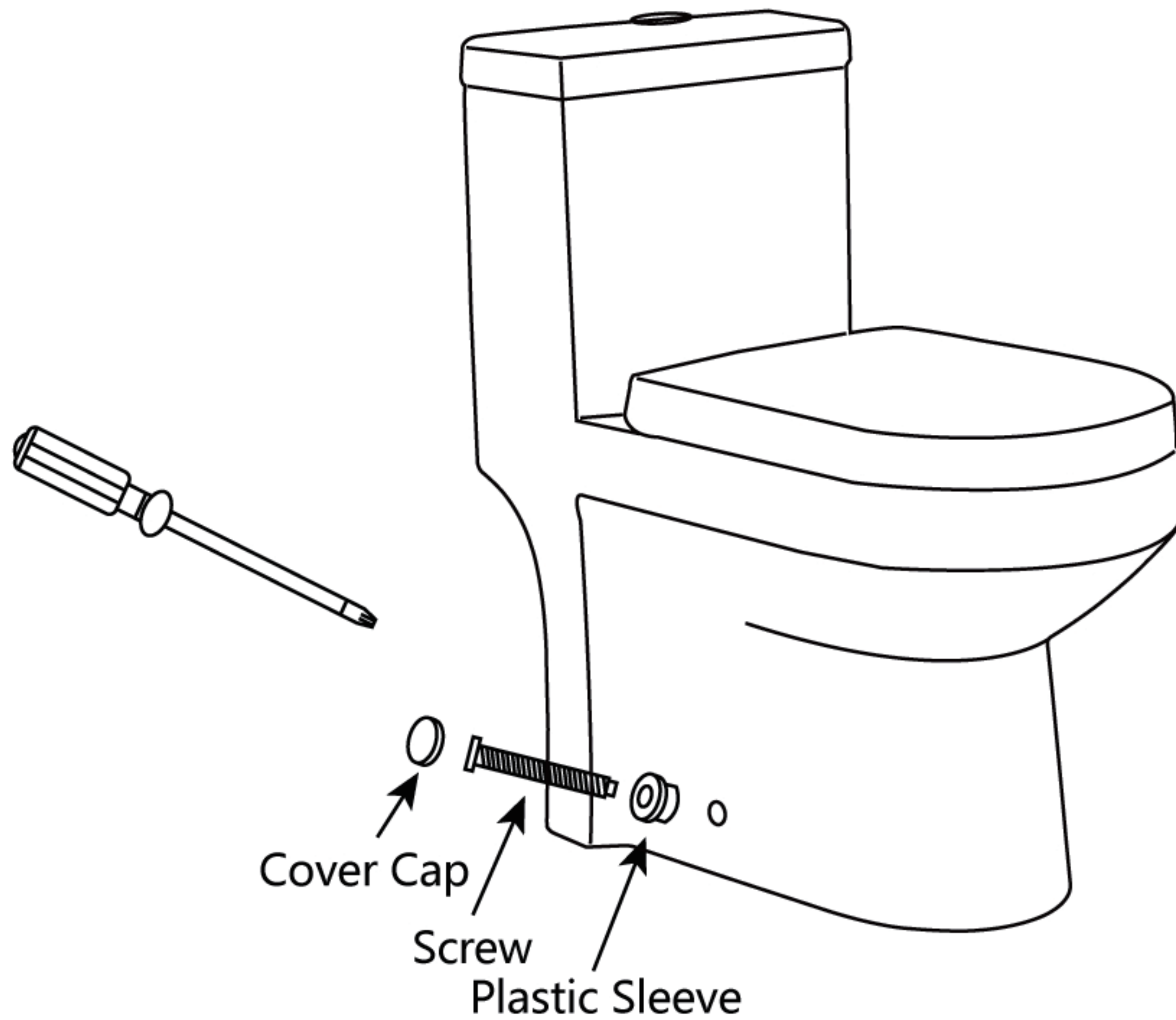
## 5. Install the Toilet



Put the toilet on the flange and push it tight.

**NOTE:** Drawings may not exactly define contour of the product.

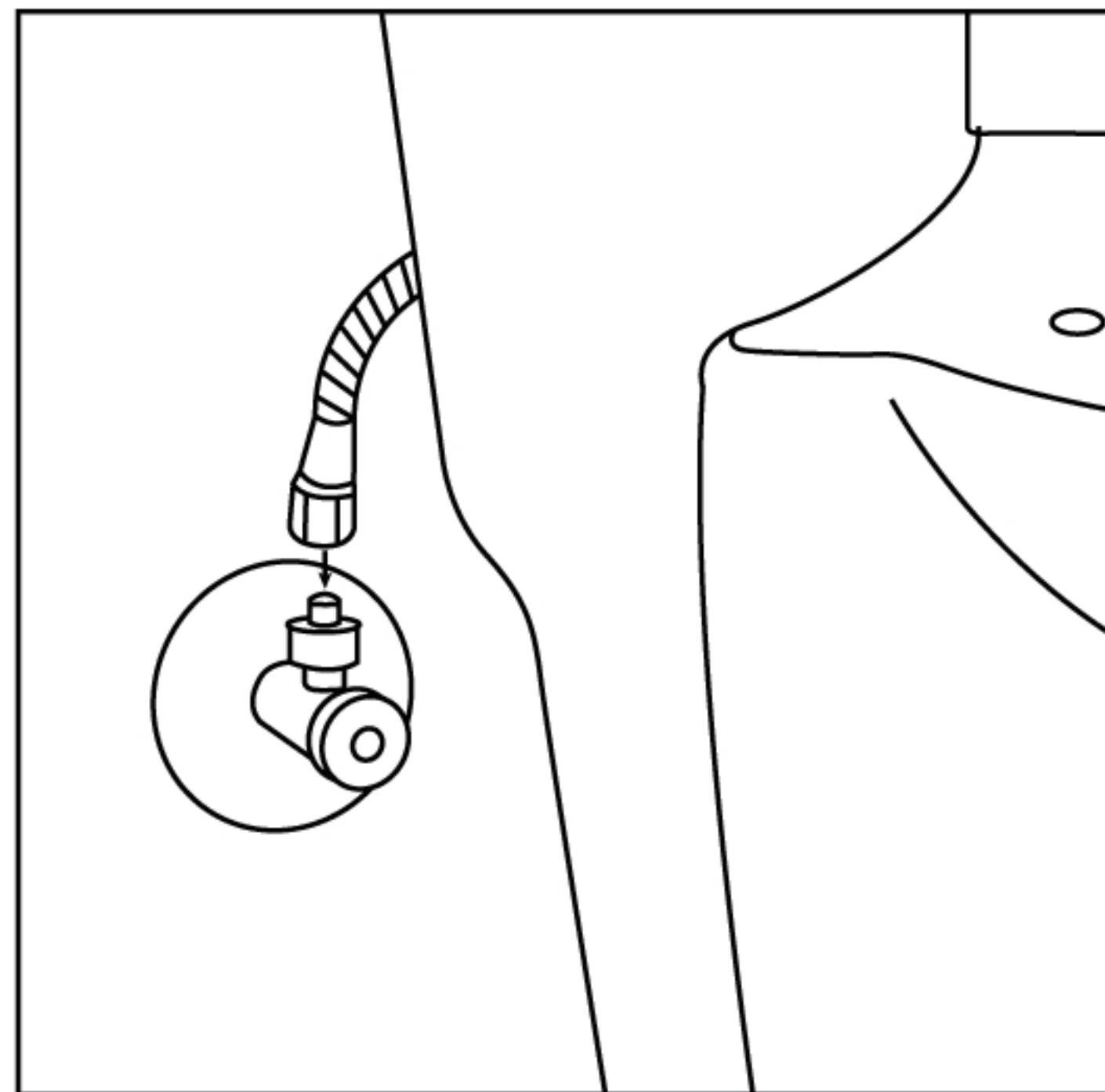
## 6. Install Cover Cap



Install the screws from two small holes with Cross Screwdriver.

## 7. Tighten Supply Line to the Shut-off Valve

- Connect the flexible water supply line (not included) to the shut-off valve. Tighten coupling nut securely.



**NOTE:** Drawings may not exactly define contour of the product.