

# ASSEMBLY INSTRUCTIONS

# SUNPAN

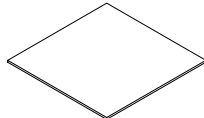
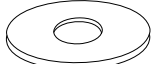

Sunpan Product Name: **VERO COFFEE TABLE**

Please visit our website [www.sunpan.com](http://www.sunpan.com) for more great products .

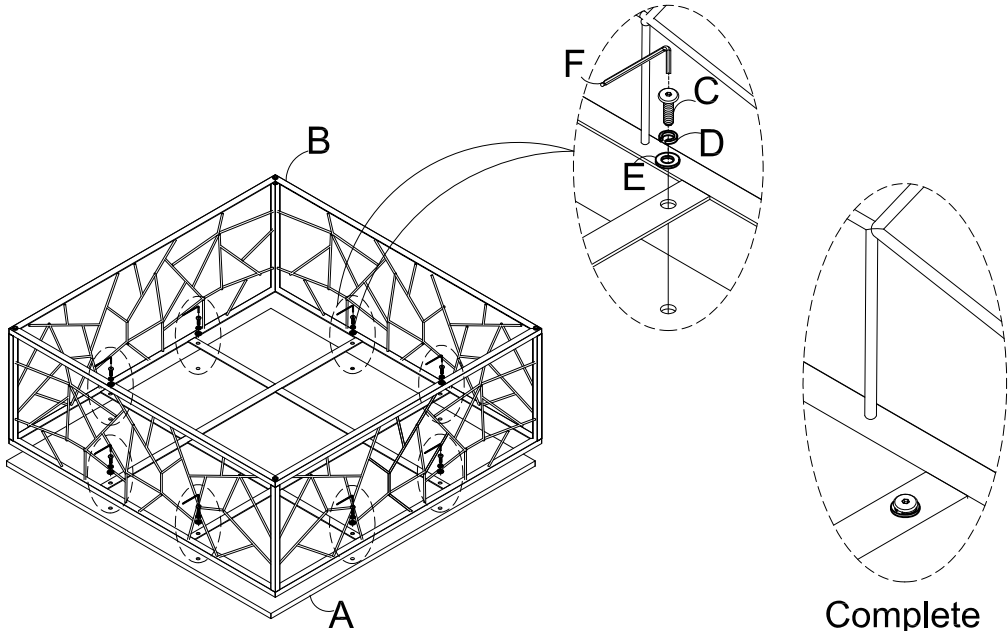
For assembly questions please call **1-800-787-1019(or +1-416-736-0094)** outside North America or e-mail to [info@sunpan.com](mailto:info@sunpan.com)

## PARTS LIST

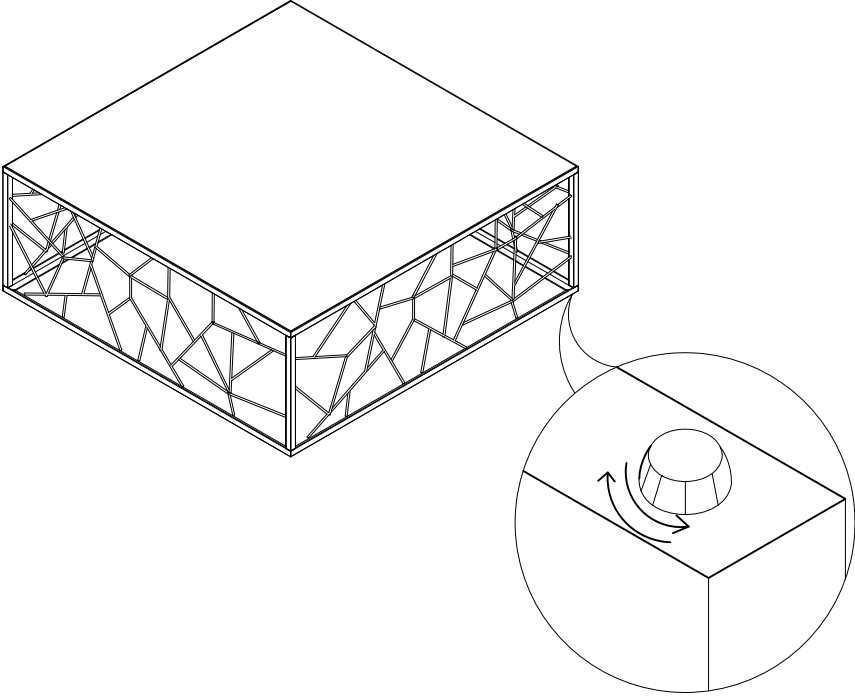
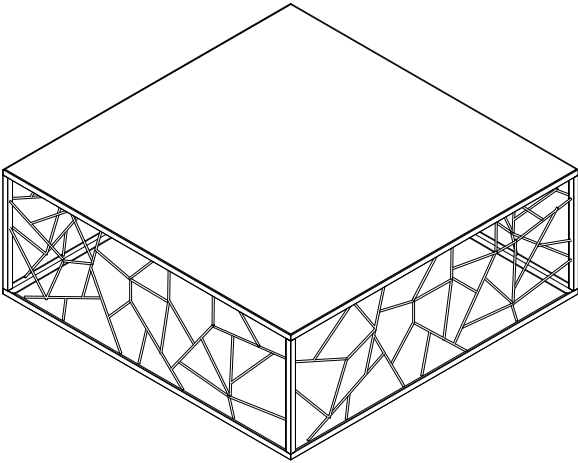
**Before you begin, please layout all parts and ensure you have the correct count**

PARTS	DESCRIPTION	QUANTITY	ILLUSTRATION
A	TOP	1	
B	METAL FRAME	1	
C	BOLT (M8X15MM)	8	
D	LOCK WASHER	8	
E	FLAT WASHER(M8X20MM)	8	
F	ALLEN KEY(4MM)	1	

## ASSEMBLY INSTRUCTIONS

STEP	INSTRUCTION	ILLUSTRATION
1	<p>On a flat, level area lay a clean blanket or towel down. With the help of another person, Place the TOP (A) and METAL FRAME (B) topside down,</p> <p>Attach the METAL FRAME(B)to the TOP(A) with below hardware by using the Allen Key(F), Tighten all bolts(C).</p> <p>8pcs Bolts(C) 8pcs Lock Washers(D) 8pcs Flat Washers(E)</p>	

# ASSEMBLY INSTRUCTIONS

STEP	INSTRUCTION	ILLUSTRATION
2	<p>With the help of another person, flip the assembled table right side up.</p> <p>Should your floor surface be uneven you can improve the stability by simply turning your table over and adjusting the leveler found under the base.</p>	
3	<p>Assembly completed.</p>	

## ASSEMBLY TIPS:

Please check parts and hardware before assembling. Follow each instruction step by step.  
 Place a protective pad or piece of cardboard on the floor while assembling your item on top of it.  
 Remove all parts from the carton and separate them into part numbers/groups as indicated on the part list.  
 Please follow instructions in the sequence as numbered to assure fast/easy assembly.

## WARNING:

Don't attempt to repair or modify parts that are broken or defective. If you find a broken part please contact us for replacement.  
 Keep all hardware parts out of the reach of children.

## FURNITURE CARE:

Following these few basic steps will help to ensure that you enjoy your furniture for a long time:

Do not expose your furniture to direct sunlight, dampness or any heat, Like a hot cup of coffee or tea. Always use a coaster.  
 Excessive exposure to sunlight may cause fading.  
 Excessive temperature and humidity or cold may cause cracking or splitting.  
 Dust with a clean, damp, lint free cloth.  
 Use a damp cloth with water or mild detergent to clean all surfaces. Do not use chemicals or paint thinner which will fade the surface.  
 Place a piece of felt or a pad under the legs of your furniture to avoid scratching the floor.