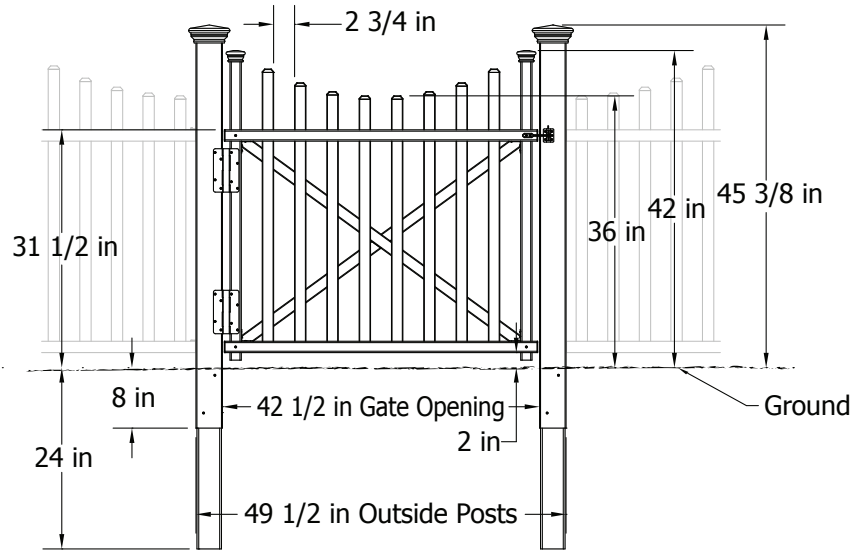
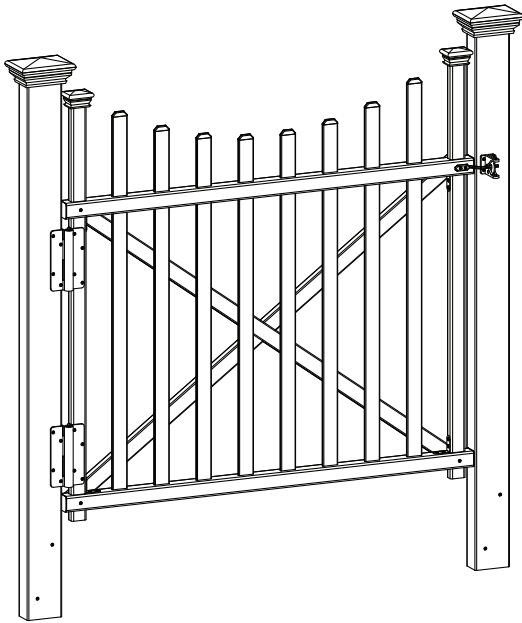


# ASSEMBLY INSTRUCTIONS



**ZIPPITY**  
Easy Does It!

## Manchester Vinyl Picket Gate with Posts (42" Wide x 42" Tall)



**This Gate is designed to be integrated with our 42" High Manchester Picket Fence**

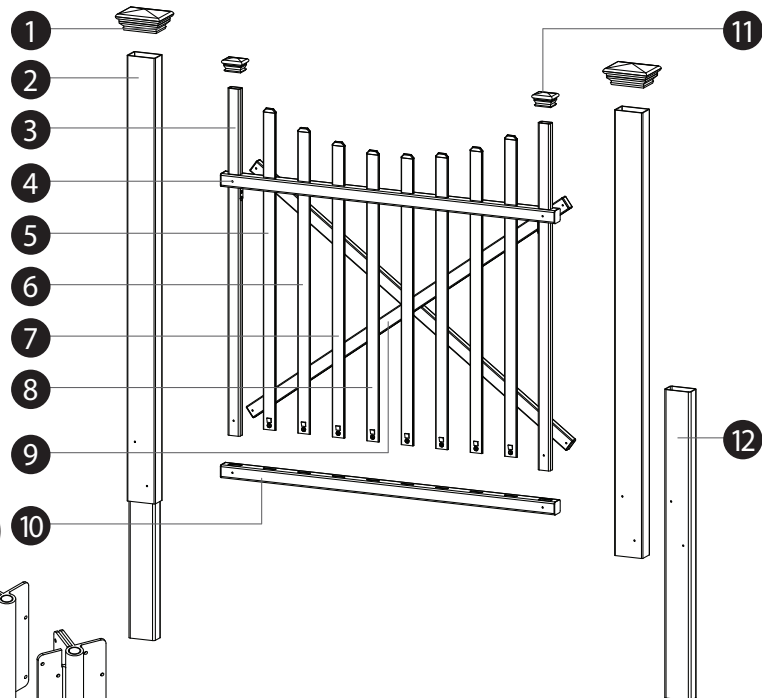
*Please read through before starting assembly.*

**IMPORTANT: CHECK THE INSIDE OF THE LARGER PIECES IN YOUR BOX FOR OTHER MATERIALS PACKED INSIDE.**

### Check Box for These Contents

In the event of missing or defective parts please call our customer service department at **1 877 778 5733** (Mon. to Fri. 8:00 AM to 4:00 PM EST).

1. Post Caps (2)
2. Posts (2) - 2" x 3 1/2" x 52"
3. Vertical Rails (2) - 7/8" x 1 1/2" x 40 1/2"
4. Gate Top Rail (1) - 1 1/2" x 1 1/2" x 41 3/8"
5. Picket 1 (2) - 1/4" x 1 1/2" x 37 1/2"
6. Picket 2 (2) - 1/4" x 1 1/2" x 35 5/8"
7. Picket 3 (2) - 1/4" x 1 1/2" x 34 1/2"
8. Picket 4 (2) - 1/4" x 1 1/2" x 33 7/8"
9. Gate Braces (2) - 7/8" x 1 1/2" x 48 3/8"
10. Gate Bottom Rail (1) - 1 1/2" x 1 1/2" x 41 3/8"
11. Vertical Rail Post Caps (2)
12. Post Extensions (2) - 1 3/4" x 3 1/4" x 36"
13. Corner Brackets (4)
14. 2 in Self-Augering Stainless Steel Screws (4)
15. 5/8 in Self-Augering Stainless Steel Screws (27)
16. Gate Hardware Kit with Fastener

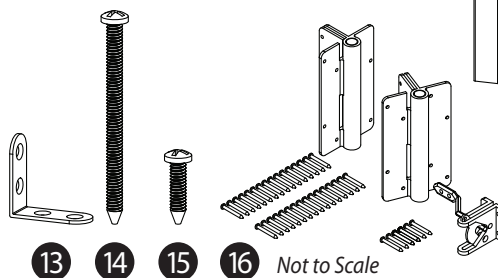


### Additional Materials Required (Not Included)

- 2 Bags of pre-mix Concrete

### Tools You Will Need

- Cordless Drill
- Level
- Shovel



Not to Scale

## GENERAL INFORMATION

# Manchester Vinyl Picket Gate



### 1 - Read Over Fence Instructions First

Your gate and fence will work better together as an integrated solution if you first take the time to read and understand your fence instructions.

### 2 - Pre-Assemble the Gate Frame

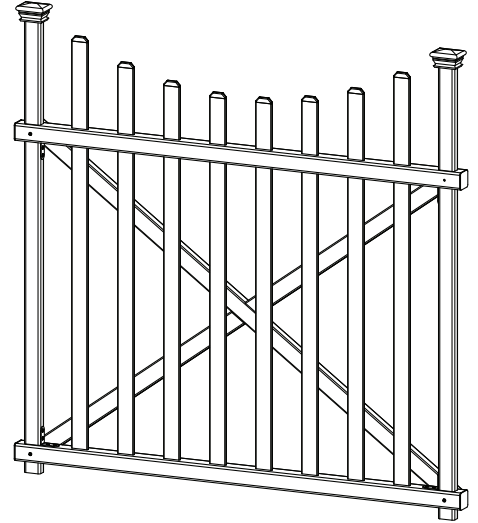
(without pickets)

Please do not screw your gate frame together until you have first temporarily assembled the gate. In other words, do a dry run first.

This will ensure three things:

- That you have everything necessary to complete the gate.*
- That you will have assembled the gate in the correct order.*
- All the pieces fit and function properly.*
- The gate height and width measure similar to drawing on Page 1.*

It's easier to trouble shoot when things are not screwed together.



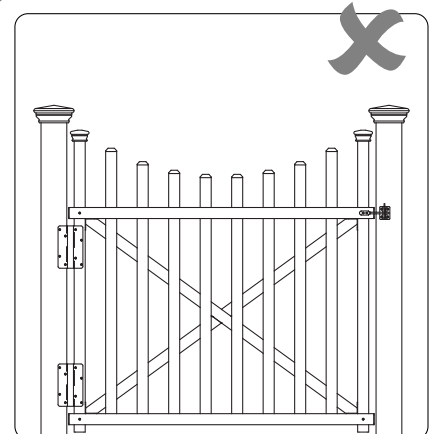
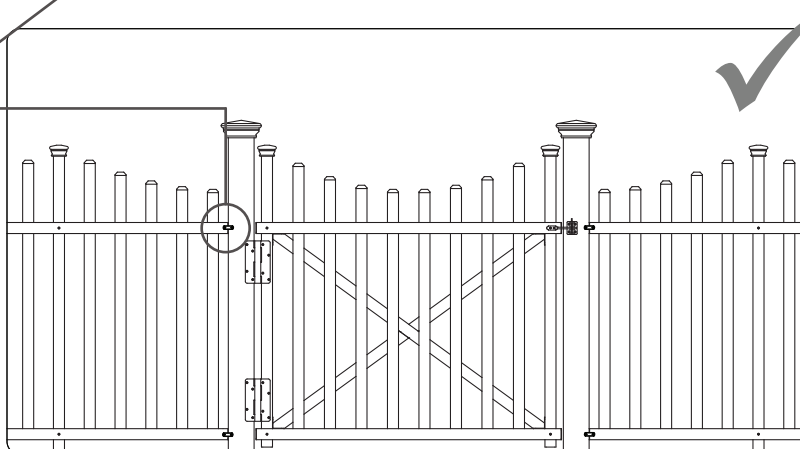
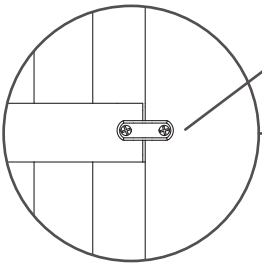
### 3 - Ideally, Install Your Gate Posts Before Your Fence Posts

Your fence panels will be more forgiving for a custom fit than your gate. Ideally, position and install your gate posts before you do anything else, or very early on in the process of setting up your fence run.

### 4 - Ideally, Do Not Hang Your Gate System Off A Single, Non-Supported Post

Your gate will perform better and last longer if your hinge post is connected to a panel of fence which is connected to another post. The weight strain will be transferred unto two posts versus just one. Installing fence panels on both sides of your gate is the ideal in all situations.

Use Zippity clips to attach the gate to the fence panel posts.



# STEP ONE

## Assemble the Gate Frame

**1**

Slide the bottom and top horizontal rails (please note the difference) down over the two vertical rails as shown. Note that the underside of the bottom rail only has two holes as shown.

**2**

Align the pre-drilled holes in the horizontal rails with the pre-drilled holes in the vertical rails and fasten together with TWO short screws for the bottom rail and ONE screw for the top rail. Leave the last pre-drilled hole empty for now (as illustrated) as it'll be used for installing the latch finger at a later step.

**3**

Starting with one inside corner, place the corner bracket against the horizontal and vertical rails as shown.

**4**

Fasten corner bracket with two short screws into the horizontal rail.

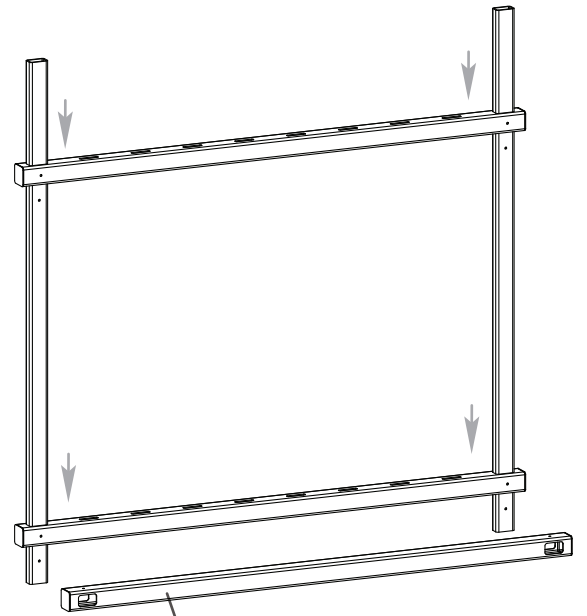
**5**

Fasten with two more screws into the vertical rail.

**6**

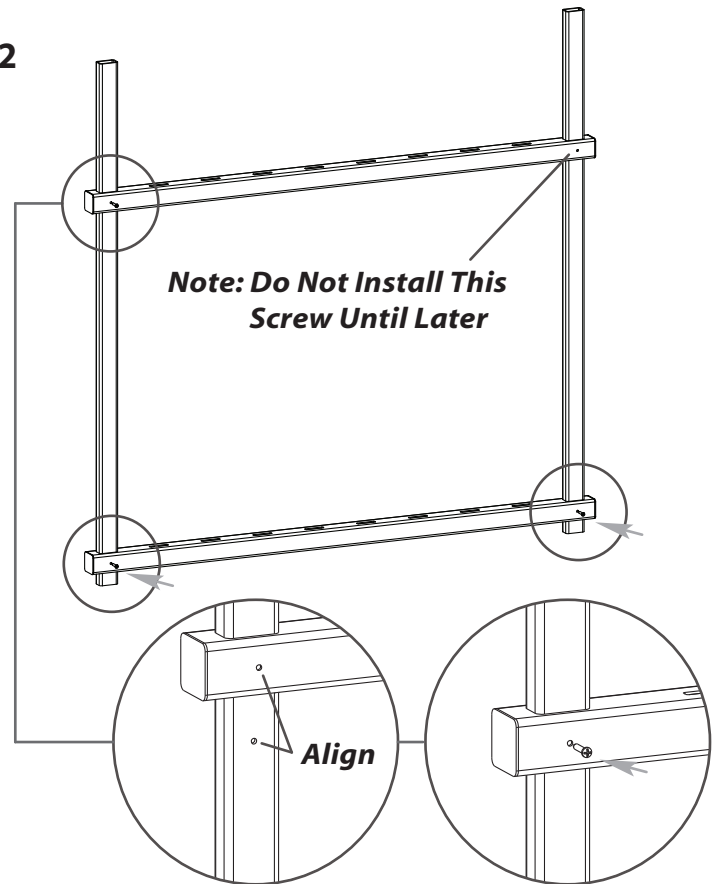
Repeat for all four inside corners.

**1**



**Note: Underside of bottom rail.**

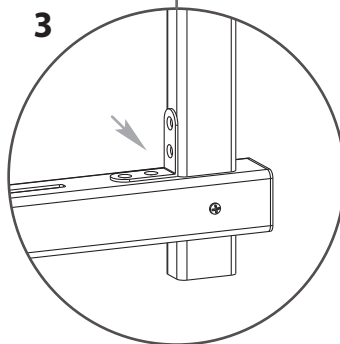
**2**



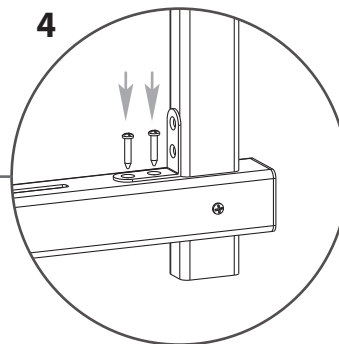
**Note: Do Not Install This Screw Until Later**

**Align**

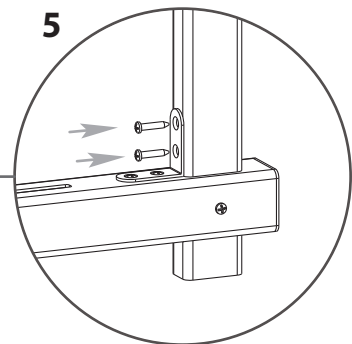
**3**



**4**



**5**



## STEP TWO

### Assemble the Gate

**1**

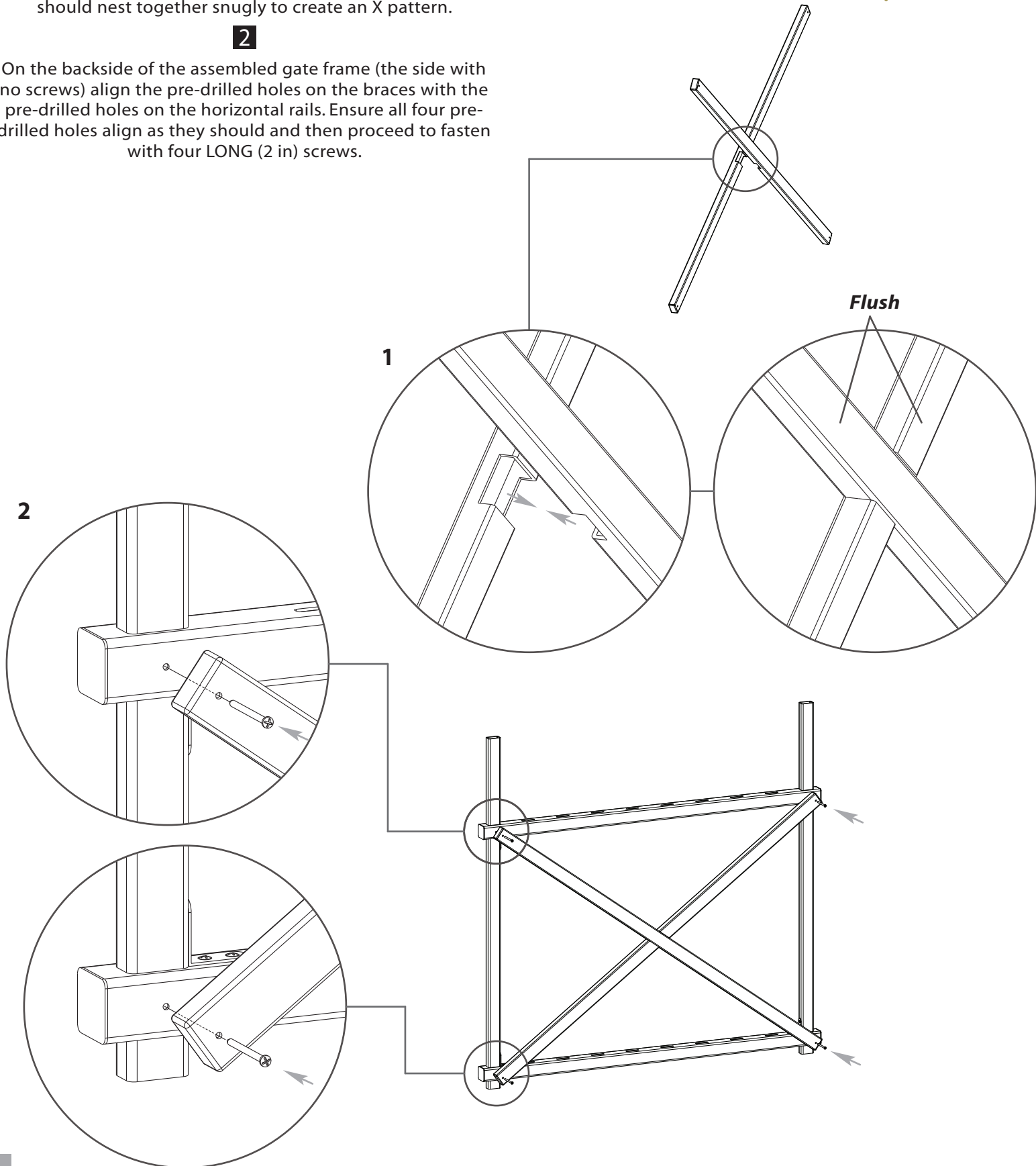
Assemble the gate braces together as shown. The two braces should nest together snugly to create an X pattern.

**2**

On the backside of the assembled gate frame (the side with no screws) align the pre-drilled holes on the braces with the pre-drilled holes on the horizontal rails. Ensure all four pre-drilled holes align as they should and then proceed to fasten with four LONG (2 in) screws.



**ZIPPITY**  
*Easy Does It!*



## STEP THREE

### Pickets, Caps, and Gate Hardware Installation

**1**

Insert pickets (as numbered in illustration) down through the top rail and into the bottom rail.

**2**

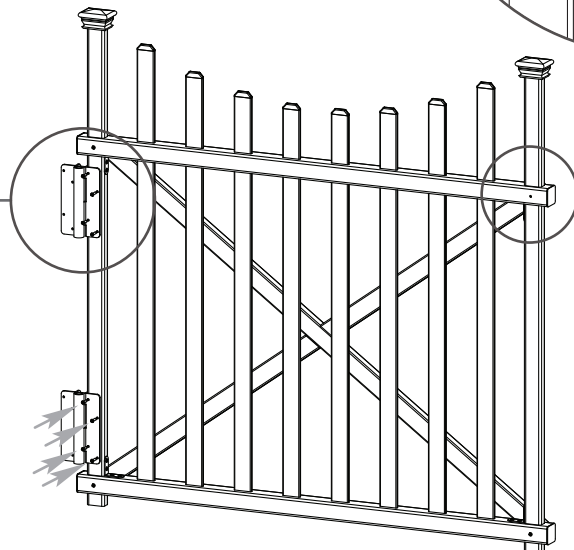
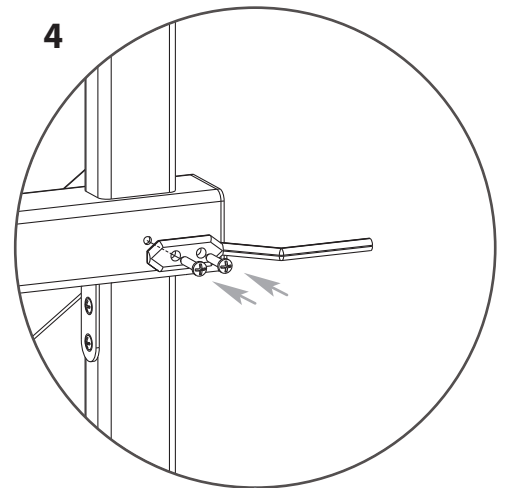
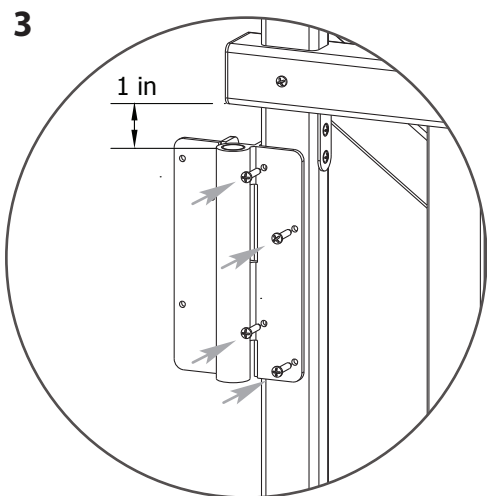
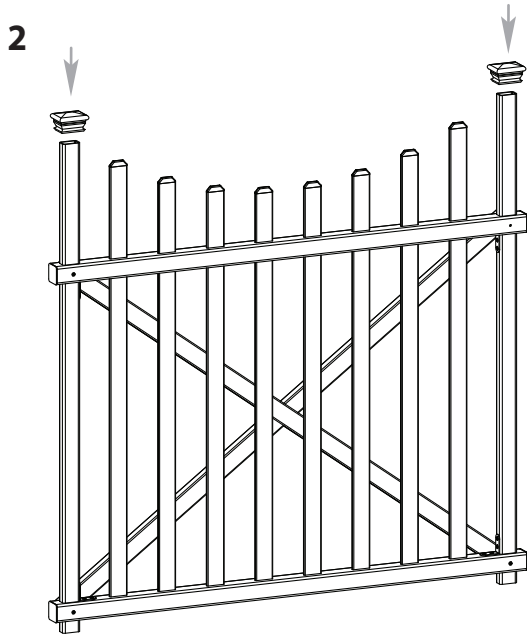
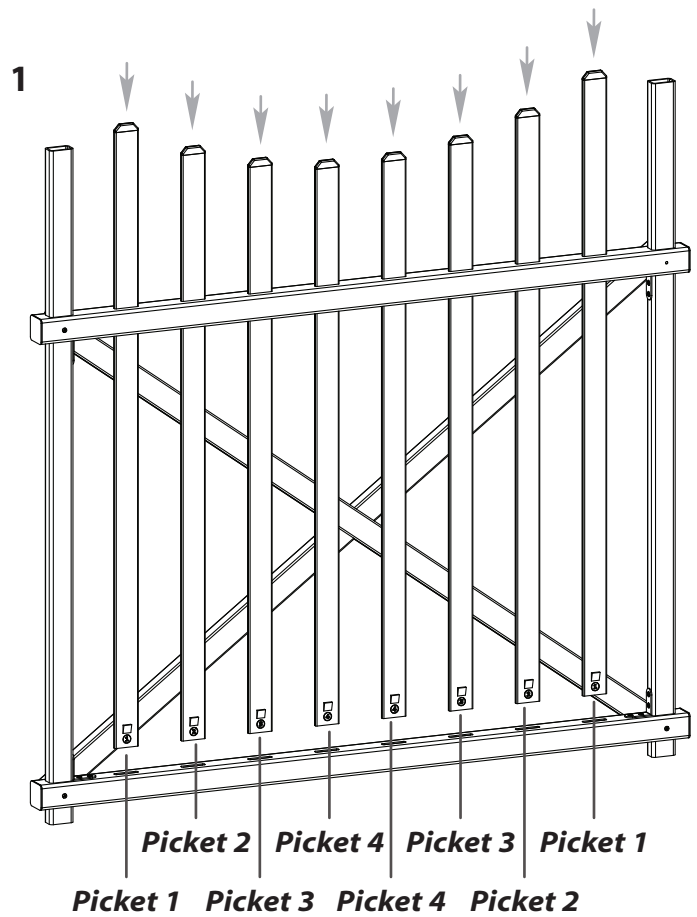
Pressure fit the two caps as shown.

**3**

Fasten the hinges to the one side of the gate as shown. The hinges should be approximately 1" away from the horizontal rails.

**4**

Align the one finger latch hole to the pre-drilled hole on the top horizontal rail and fasten with two screws.



## STEP FOUR

### Gate Posts Assembly

**1**

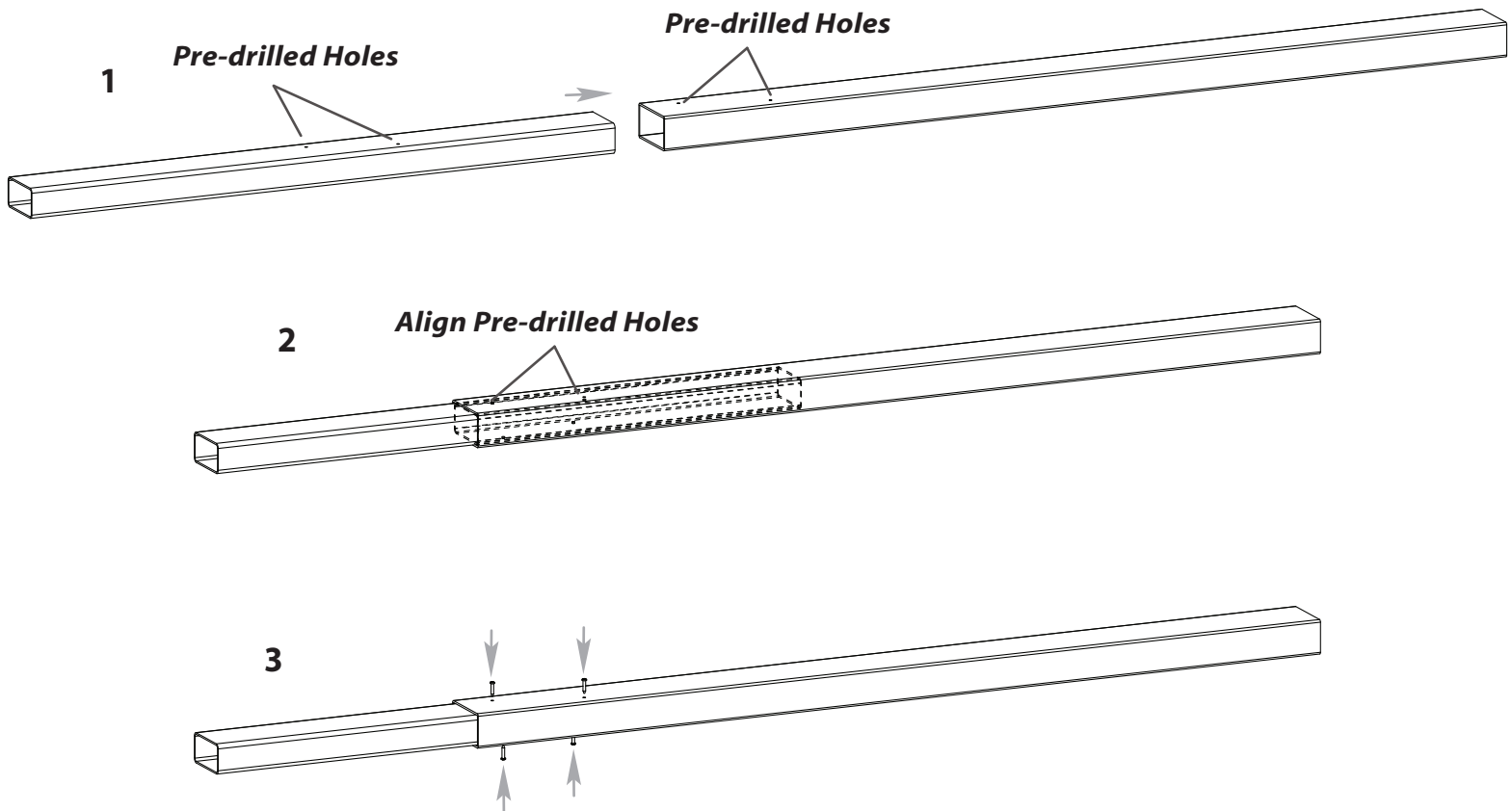
Insert the post extension into the bottom of the gate post as shown.

**2**

Align the pre-drilled holes on the extension with the pre-drilled holes on posts and fasten with four short screws.

**3**

Repeat for second post.



## STEP FIVE

### Gate Posts Installation

**1**

Dig two, 8" Diameter x 24" Deep holes on 46" centers as shown.

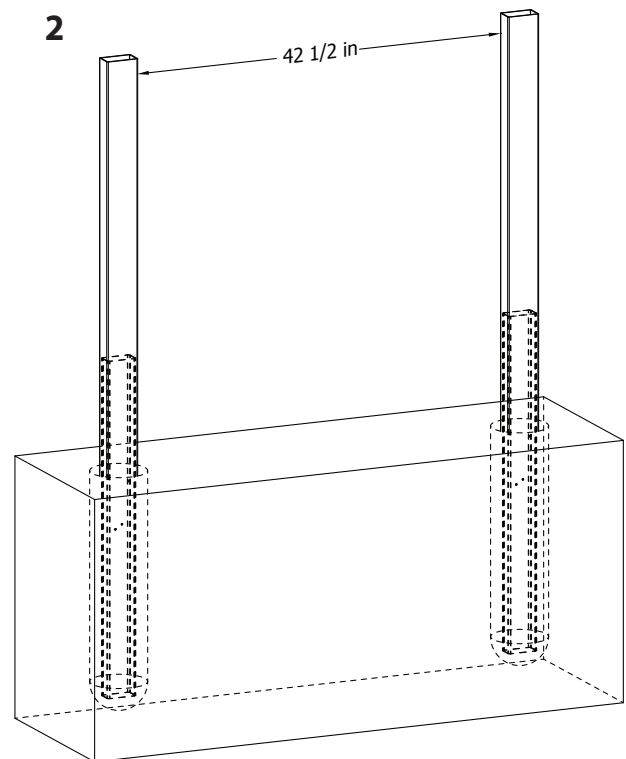
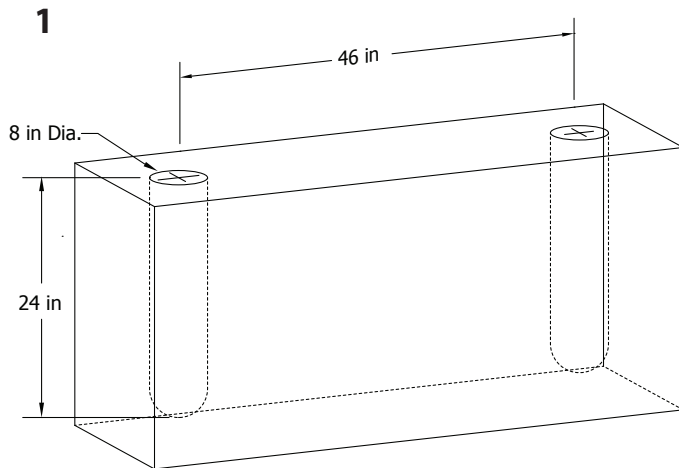
**2**

Insert the two posts into the holes and make sure the opening between the posts is 42 1/2" and the two posts are square to each other.

**3**

Backfill the holes with concrete.

If you intend to remove and reinstall the gate you can substitute concrete with crushed stone that will compact tightly around the posts.



**ZIPPITY**  
*Easy Does It!*

## STEP SIX

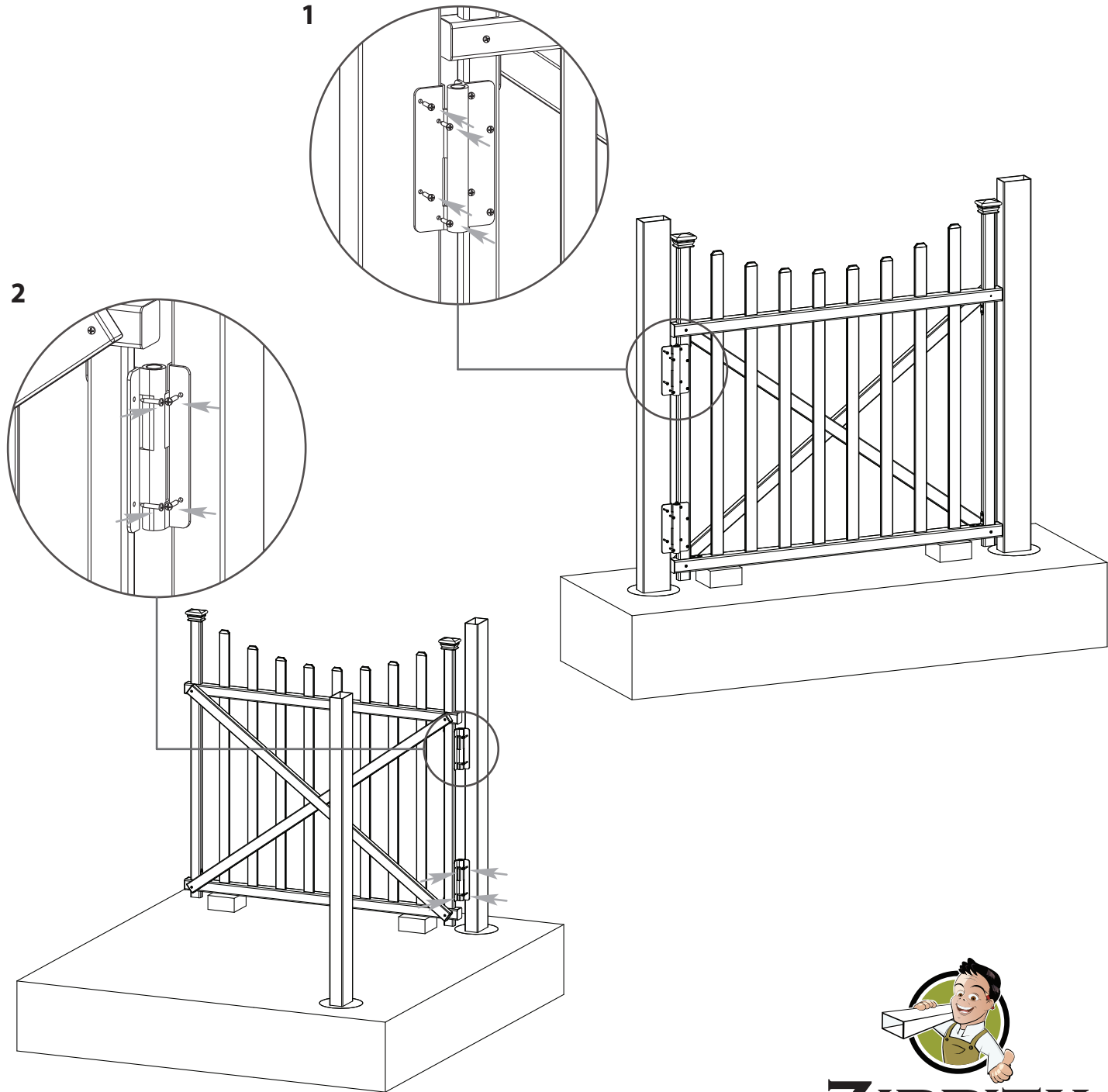
### Gate Installation

**1**

Fasten the gate to the posts with four screws per hinge as shown. Use 2" blocks of wood to raise the gate off the ground temporarily.

**2**

Open the gate and fasten four more screws per hinge as shown.



**ZIPPITY**  
*Easy Does It!*



## STEP SEVEN



**ZIPPITY**  
*Easy Does It!*

### Latch and Post Caps Installation

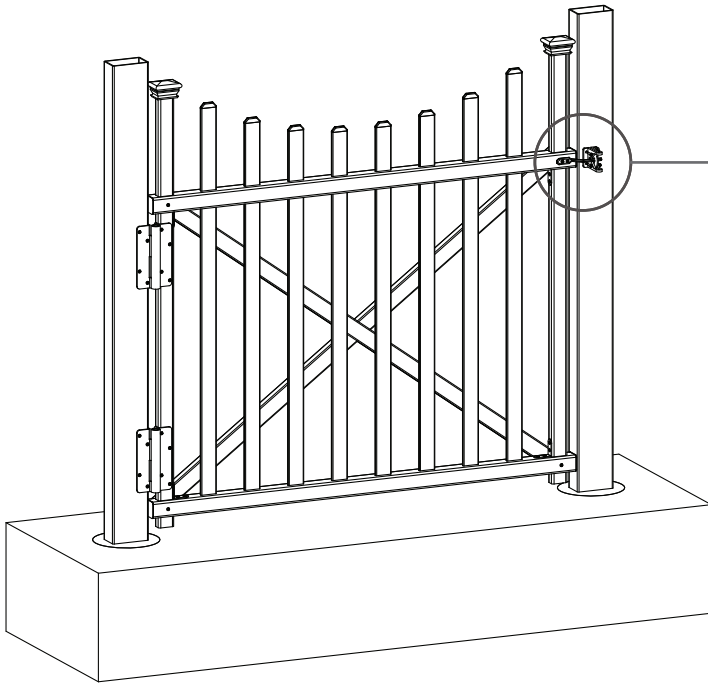
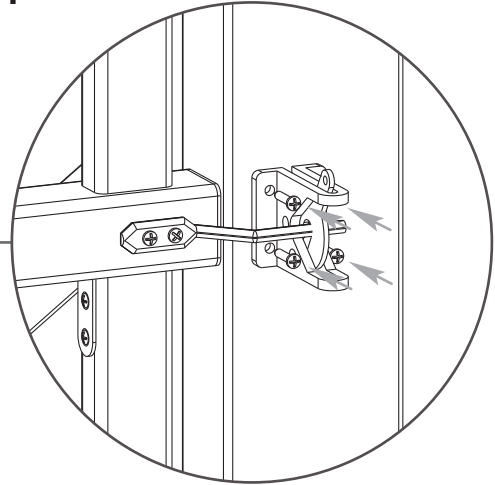
**1**

Align the latch to the gate finger and install with four screws as shown.

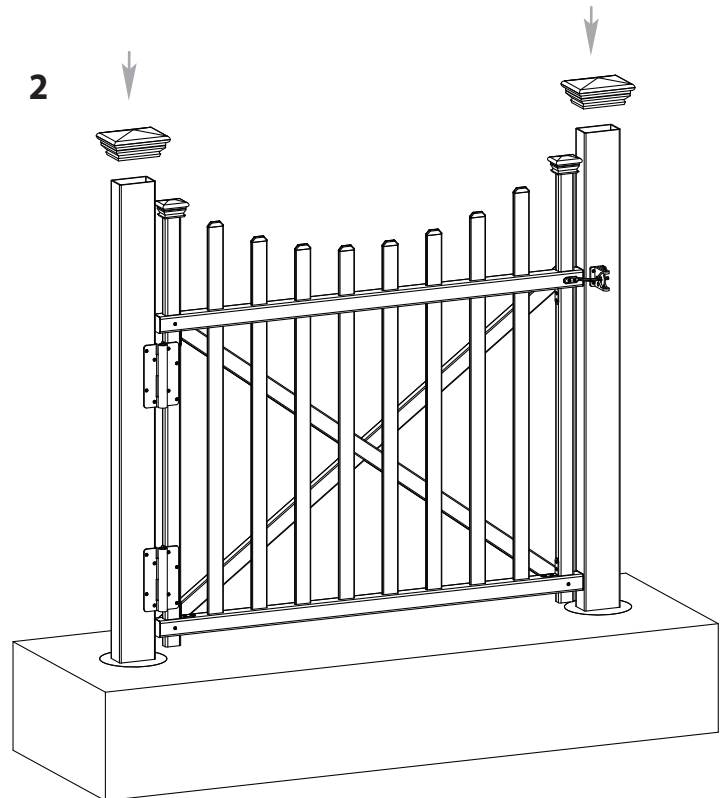
**2**

Pressure fit the two post caps onto the posts as shown.

**1**



**2**



**Congratulations, You're Finished!**