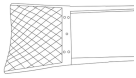








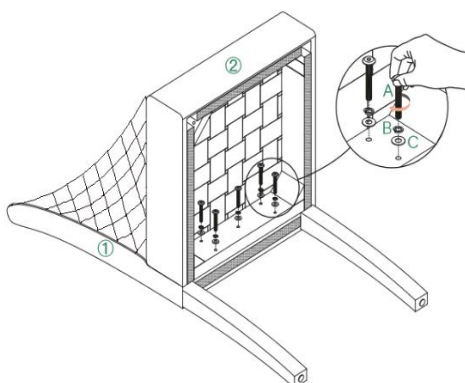
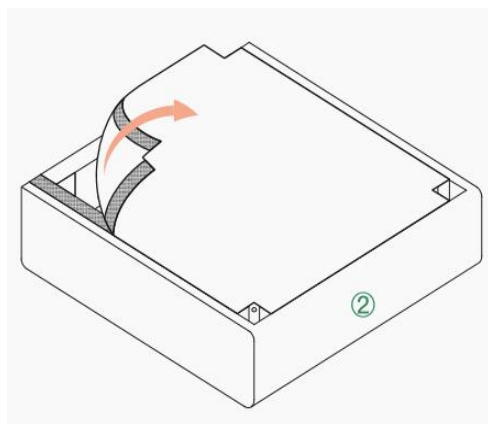
ASSEMBLY INSTRUCTIONS

3900047/3900076/3900107

Parts#	Parts Name	Drawing	Qty
1	Backrest		1
2	Seat		1
3	Front leg		2
A	Bolt	 Ø5/16"x50mm	9
B	Spring washer		9
C	Flat washer		9
E	Allen wrench		1

Step 1

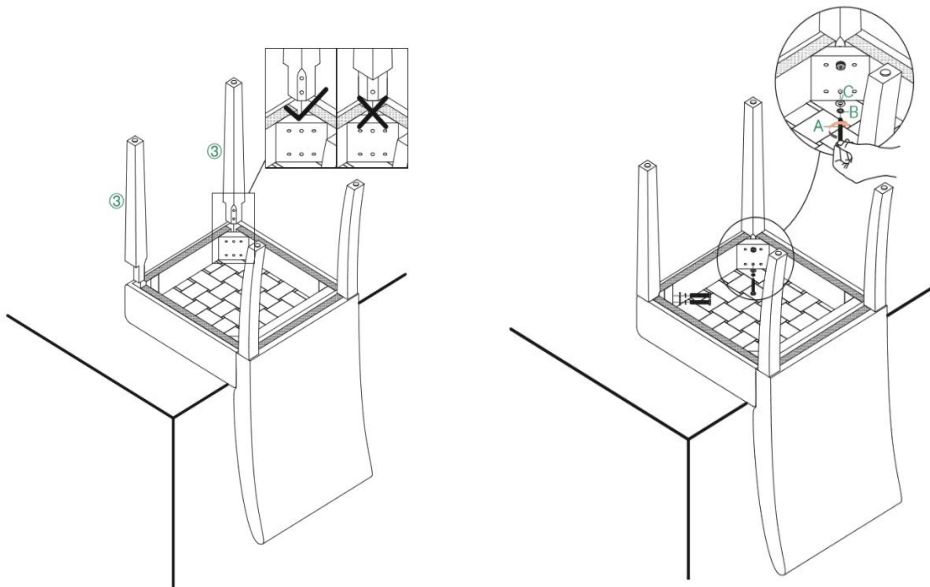
Flip the seat ② upside down so that the bottom faces you. Remove the bottom fabric attached by Velcro to get ready for assembly. Place the backrest ① on a flat surface. Align the seat ② with the backrest, making sure the bolt holes overlap. Fit a spring washer B to a bolt A followed by a flat washer C. Insert the bolt into a hole and tighten it with your hand until it is finger-tight. This will allow an opportunity to level the chair and prevent any unnecessary



Step 2

Flip the structure formed in Step 2 upside down and place it along the edge of an elevated level surface to get ready for assembling the front legs. Fit a front leg ③ into the slot in the front of the seat. Make sure the curved face is towards inner side as elaborated in diagram below. Repeat this for the other front leg ③.

Fit a spring washer B to a bolt A followed by a flat washer C. Insert the bolt into a hole and tighten it with your hand until it is finger-tight. Repeat this for the other hole and then repeat the process for the other leg



Step 3

Place the loosely assembled chair in its desired location. Apply gentle downward pressure on the seat to eliminate rocking and ensure the chair is level. Once the chair is leveled, tighten all bolts with the Allen key D.

