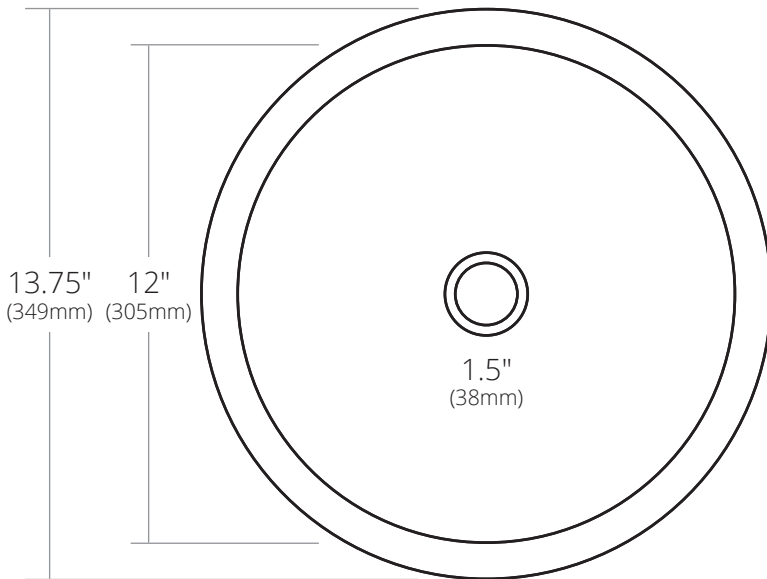


SPECIFICATIONS

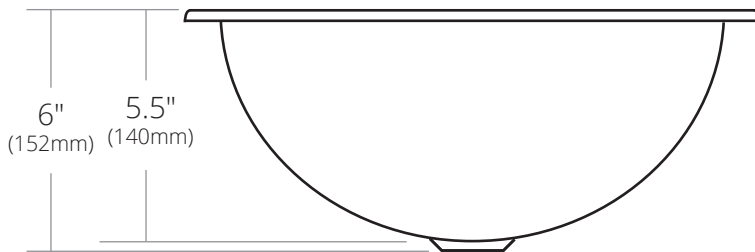
**PALOMA**



TOP VIEW



FRONT VIEW



CPS259 Antique  
CPS559 Brushed Nickel

**PRODUCT DETAILS**

- 13.75" x 6" OD (349mm x 152mm)
- 12" x 5.5" ID (305mm x 140mm)
- Hand hammered 16 gauge recycled copper
- 1.5" (38mm) drain opening

**INSTALLATION**

- Drop-In or Undermount

**COORDINATING PRODUCTS**

- Drains: DR120, DR130 or DR150

**STANDARDS COMPLIANCE**

- UPC/cUPC compliant
- **ADA**  COMPLIANT

**IMPORTANT**

Due to the handcrafted nature of this product, it will vary in finish, texture, hammering, and other details. Dimensions may vary up to 1/4" (6mm). We strongly recommend waiting for the actual product before making any installation cuts.