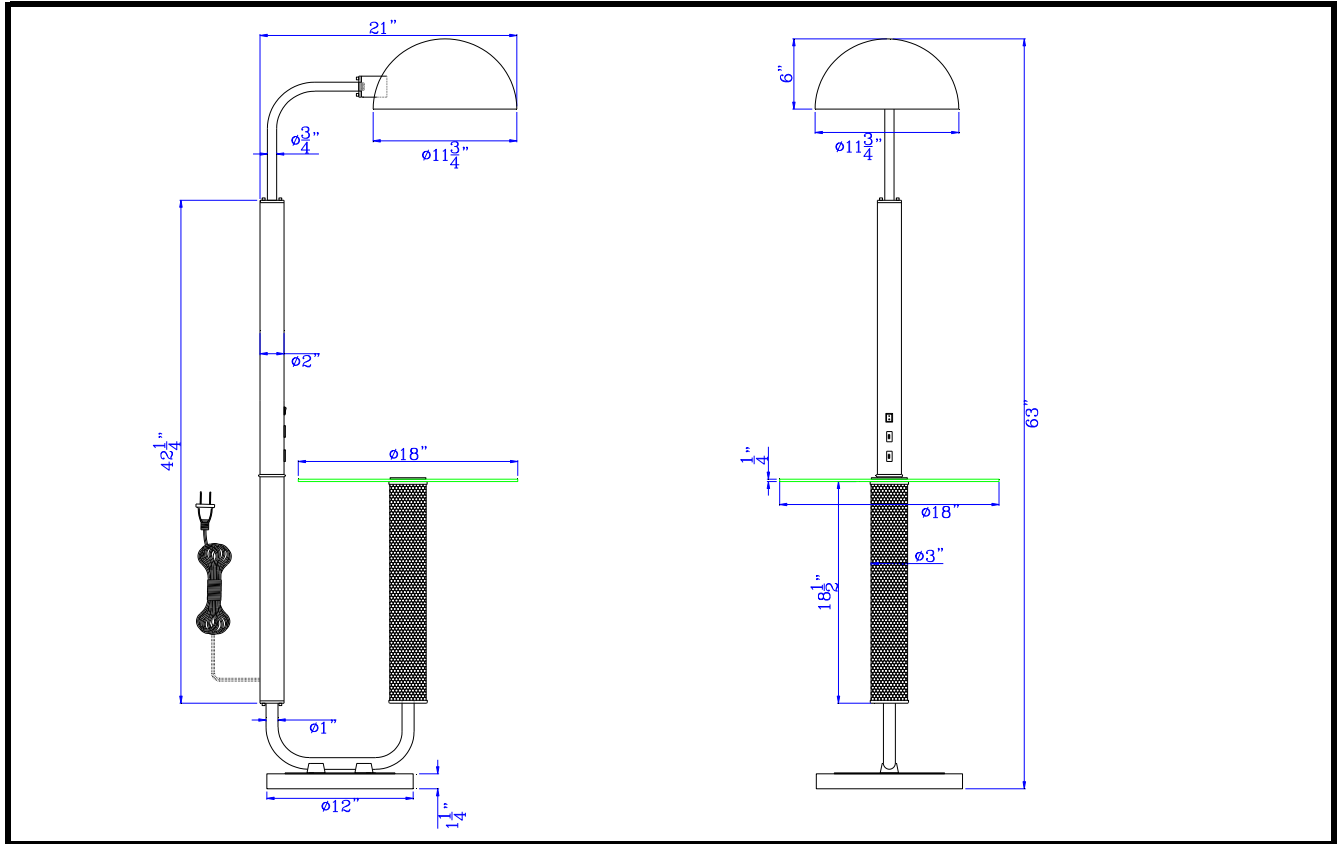




CAL LIGHTING

3625 E. Philadelphia St. Ontario CA. 91761. Tel: 909.947.5200. Fax: 909.947.5673. www.calighting.com. service@calighting.com.
Specifications subject to change without notice

Type: _____
Project: _____
Catalog No.: **BO-3129FL**
Lamp/Wattage: _____



- Model No:** BO-3129FL
Description: 60W Keyser metal floor lamp with faux wood pole and glass tray table and metal shade. Equipped with 1 USB and 1 USB-C charging ports
Material: Metal
Finish : Oak/Charcoal Grey
Height: 63"
Base Width: Dia. 12"
Wattage : 60W
Socket : Medium Base (E26)
Switch: On/off
USB: 1
TYPE C: 1
Bulb: Incandescent
Wire Length: 6'
Wire Color: Black
Shade No:
Material: Metal
Shade size: Dia. 11 3/4" H6"

Certificate : 