



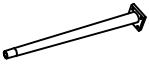


CARE AND MAINTENANCE

Wipe clean with a soft, dry cloth. The seat board can be cleaned with a mild cleaner. Test the cleaning method on a hidden area before using them over the entire area.

NOTICE

- * Please make sure that you have all parts indicated before you begin assembly of this item.
- * This item should be assembled on a soft surface to prevent scratching the finished product during assembly.
- * This item may require periodic tightening.
- * Do not tighten bolts until completely assembled.

Part List and Hardware List

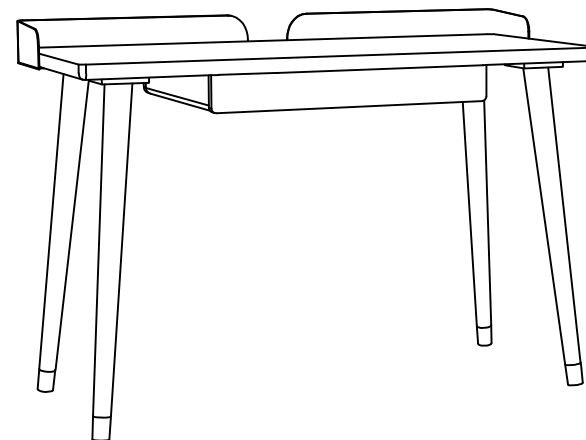
Piece	Description	Picture	Quantity
A	TABLE TOP		1 X
B	LEFT LEG		2 X
C	RIGHT LEG		2 X
H1	ALLEN BOLT 5/16*1- 1/4"		16 X
H2	ALLEN KEY 4mm		1 X

SAFAVIEH

C O U T U R E

Model# DSK6400

Product Dimensions: 45"W*20"D*32-1/2"H



Weight Capacity : 25 lbs

Warning : Do not stand on table

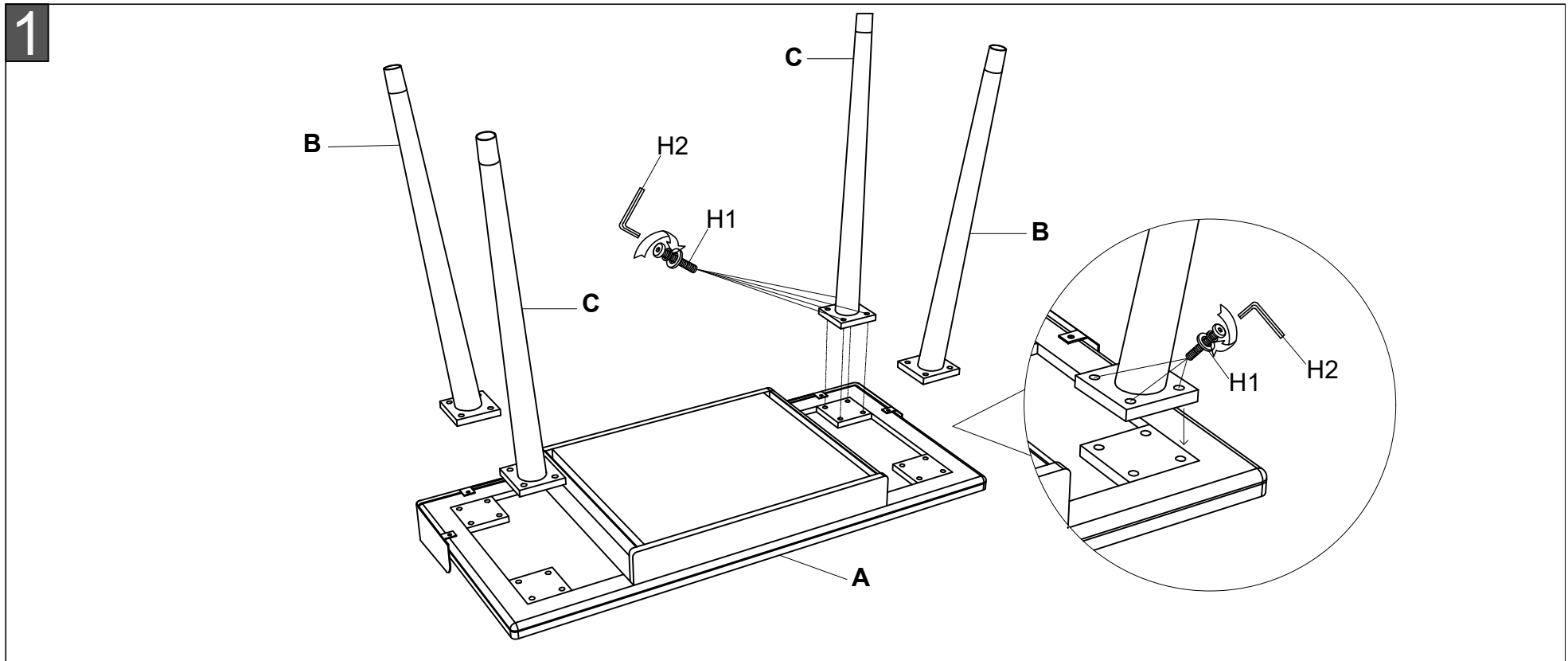
Warning : Do not over torque bolts

PREPARATION

Before beginning assembly of product, make sure all parts are present. Compare parts with package contents list and hardware contents list. If any part is missing or damaged, do not attempt to assemble the product.

Estimated Assembly Time:15 minutes.

Tools Required for Assembly (included):Allen key.



Step 1:

Assembly 2*left legs (B) to the underneath of the table top (A) in diagonal position facing front left. Using Allen key (H2) to lock with 8*Allen bolts (H1). Repeat this process to assembly rest 2*right legs (C). As picture.

Straighten up the assembled product, Assembly is completed.