



Welland

3-Tier Display Wall Shelf

WSV104-190

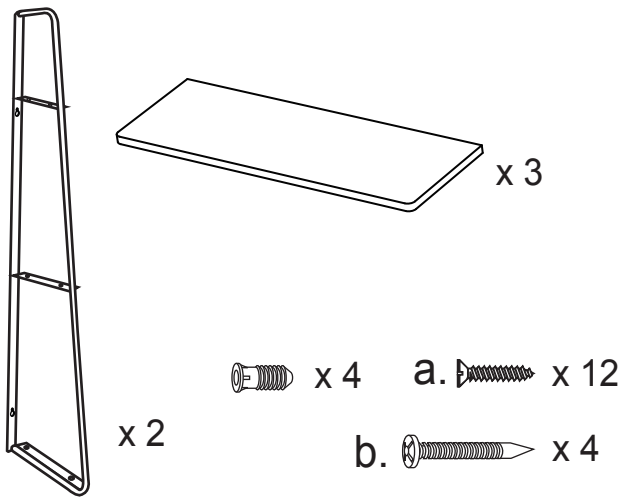
Package Content

Shelf board x 3	Metal rack x 2	Small screw x 12
Large screw x 4	Tube x 4	

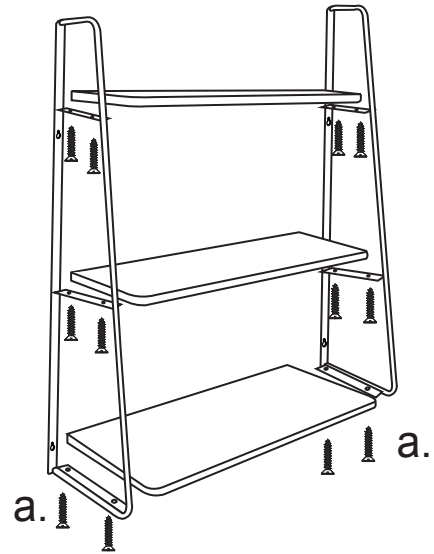
Tools Needed

Screwdriver

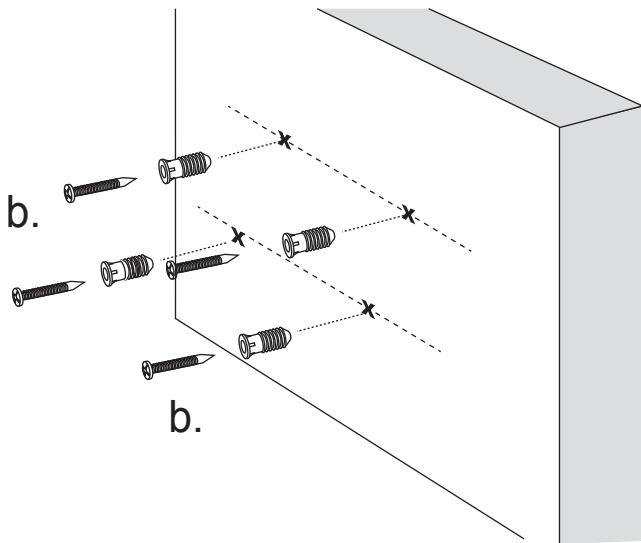
INSTRUCTION



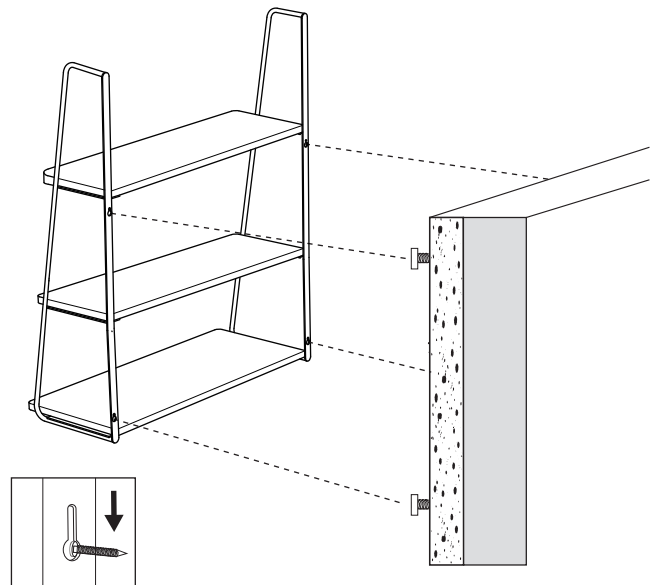
1. Confirm the accessories included in the package.



2. Put the shelf boards on the metal racks and secure them by the small screws.



3. Insert the tube (drywall anchors) into the holes that have been drilled.



4. Secure the Display Wall Shelf to the wall by the large screws.

Please install according to the instruction. Welland LLC and its affiliates are not responsible for injury or damage resulting from improper installation or use.

Email us at customerservice@wellandllc.com

*The emission of the chemicals listed in Prop 65 in this product has been tested to meet the standard of CARB ATCM.