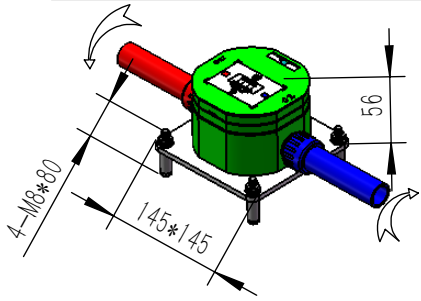
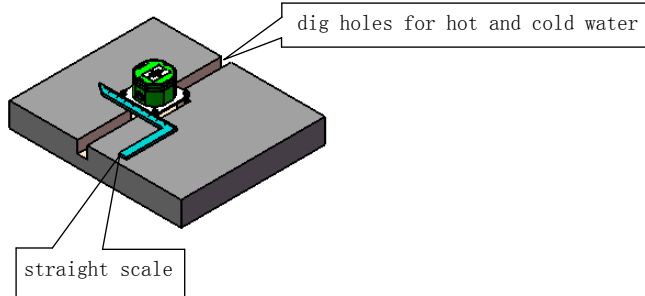


# Bathtub Faucet Installation Manual

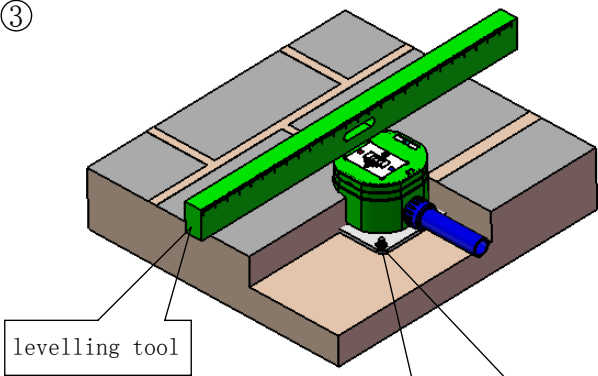
① Dig hole based on below size of embedded part, after you confirmed the positions for embedded part and bathtub.



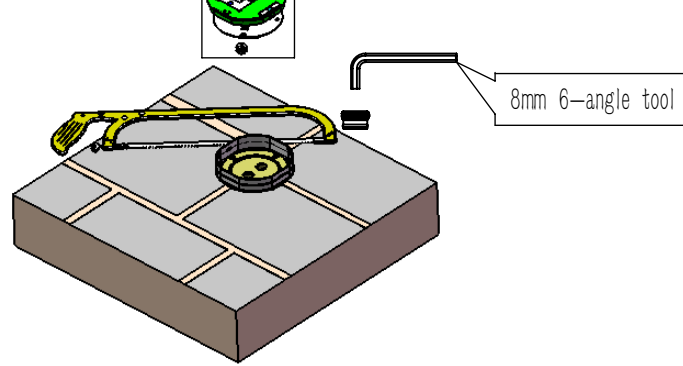
② the line of two screws must be vertical and centered to bathtub faucet.



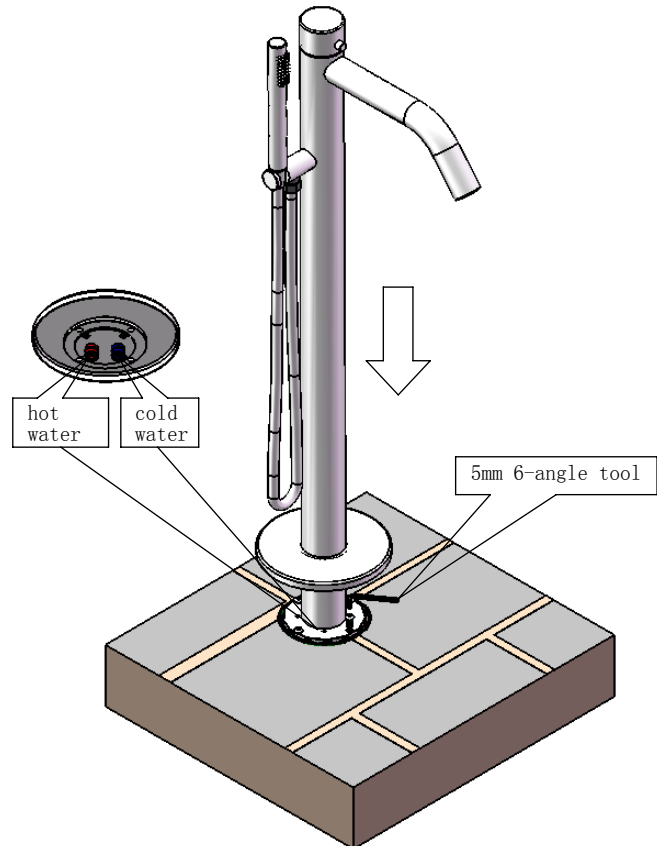
③ connect water pipe to the embedded part, tight up embedded part to hole bottom with screws, and make sure the cover of embedded part must be same level or 1-3mm lower than floor tile.



④ throw out top ss plate and plugs for hot and cold water outlet



⑤ Insert lower pipe to the embedded part, connect bottom plate to embedded parts with screws, then push down the bottom decorated cover to floor.



⑥ connect hand shower and hose to the handshower outlet, then you can have water for bathtub.

