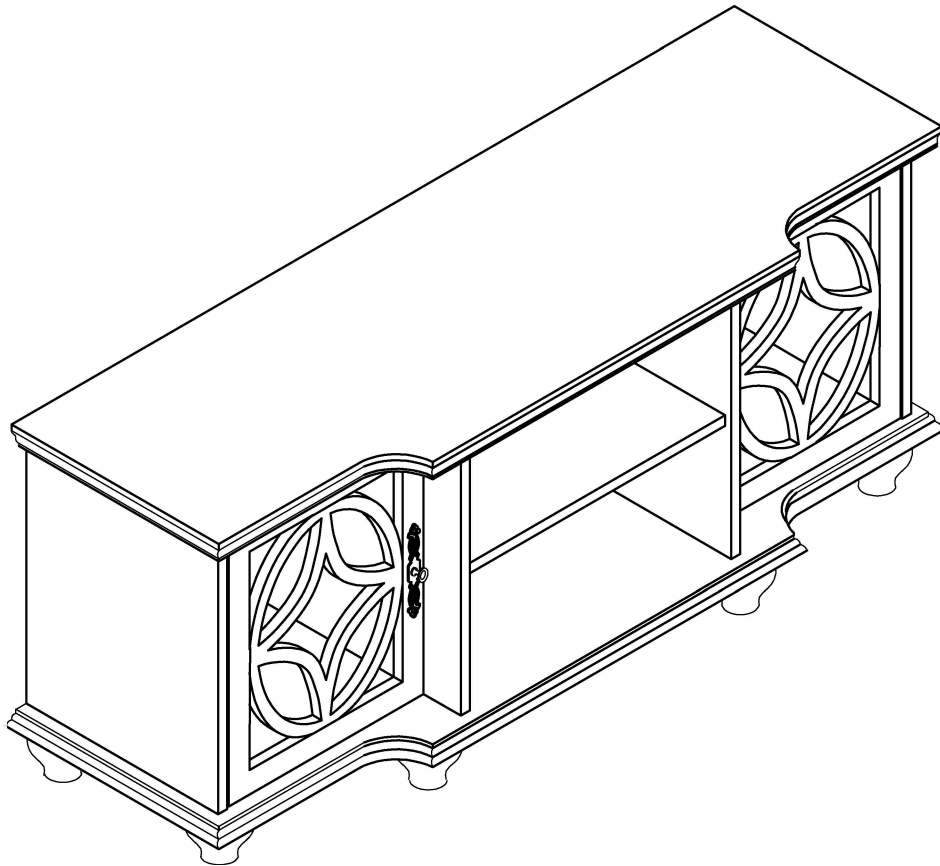


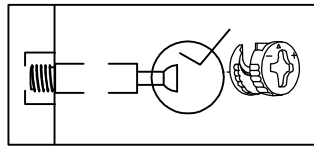
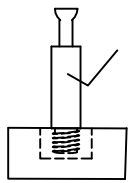
ASSEMBLY INSTRUCTIONS



NOTE TO CUSTOMERS:

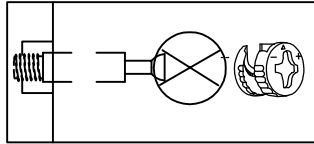
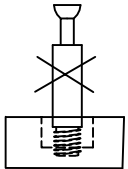
- For ease and speed of assembly we recommend that before you commence each step of the assembly that you identify all the parts required to complete that step.
- We recommend that where possible you allow sufficient space to assemble the item as close as possible to the place where it will be once assembled.
- For the protection of your furniture we recommend that the product is placed on protected surfaces during assembly to prevent any damage.
- During assembly do not over tighten, as this may damage the product.
- Please ensure you retain all the product packaging until the item completely assembled.
- Please periodically check all fittings and re-tighten as necessary.
- Please never allow any liquids to remain on your furniture as absorption can cause the wood to warp or finish to de-laminate.
- It is recommended that this item should be assembled by two adults.

To use a cam lock: (Please read below instructions before assembling)



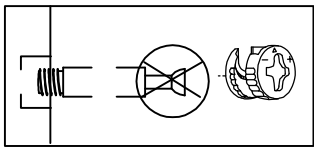
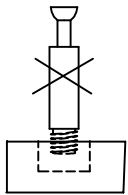
1. Insert cam screw into hole as shown in diagram A .

Diagram B

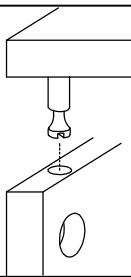


Make sure not to insert the cam screw:
Too deep as shown in figure B as this will cause the cam screw to be misaligned and unable to interlock properly.

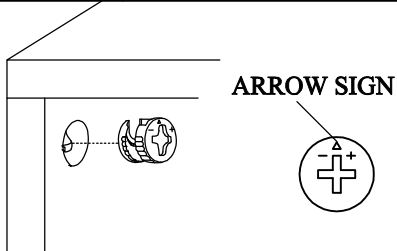
Diagram C



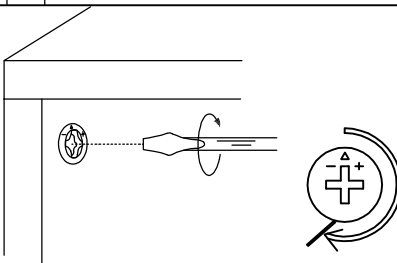
Also avoid inserting the cam screw too close to the surface of the hole as shown in figure C, as this will cause the cam lock to be too loose, and not interlock properly.



2. Connect the panels together.



3. When inserting the cam lock make sure the arrow of the cam lock faces the cam screw.



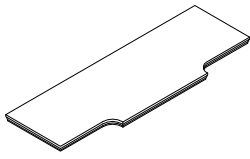
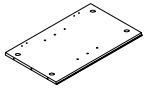
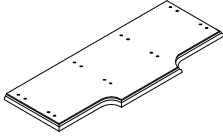
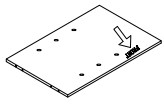
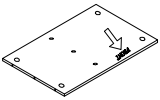

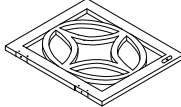
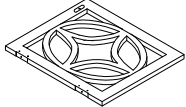
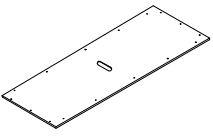
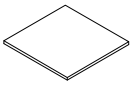
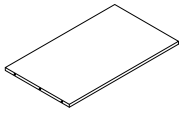
4. To tighten the cam lock turn the cam lock clockwise 90-180 degree or until the arrow is facing opposite the place cam lock was inserted.

NOTE: DO NOT USE AN AUTOMATIC SCREWDRIVER TO TIGHTEN CAM LOCKS.

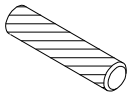
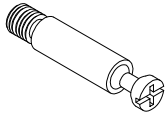

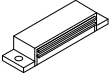
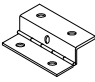




Note:

- Read these instructions carefully before assembling.
- Tools required : Phillips screwdriver, flat screwdriver.
- Find a clean, smooth area on which to work , such as a carpet, in order to avoid scratching the wood surfaces.
- Wait to dispose of the packing material until assembly is complete and all parts and hardware are accounted for.
- Two or more people might be required for assembly.

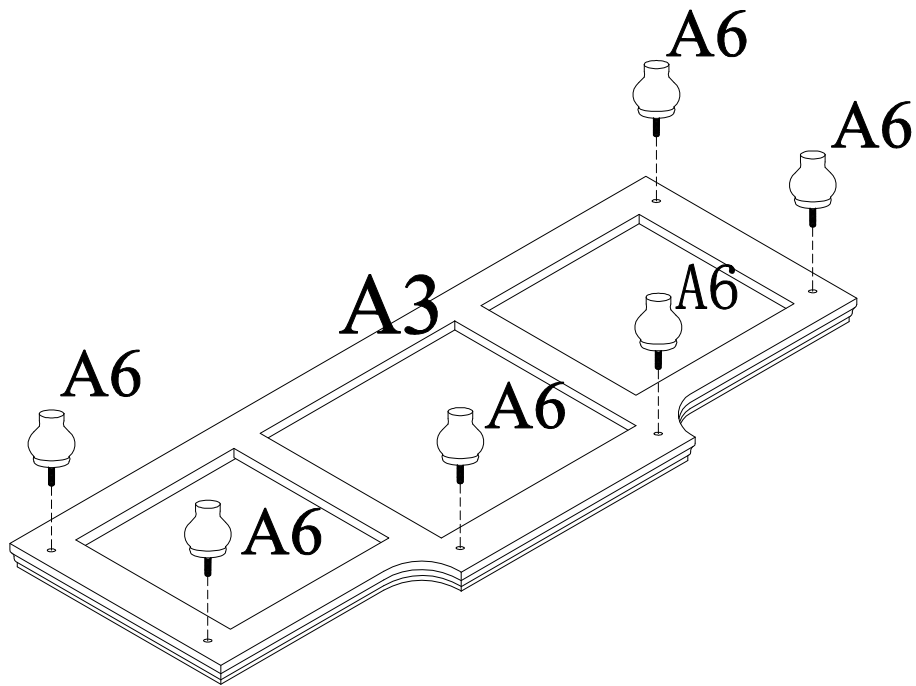
Part List

A1. Quantity of 1 	A2 (L&R). Quantity of 2 	A3. Quantity of 1 	A4. Quantity of 1 
A5. Quantity of 1 	A6. Quantity of 6 	A7. Quantity of 1 	A8. Quantity of 1 
A9. Quantity of 1 	A10. Quantity of 2 	A11. Quantity of 1 	
Top Panel	Side Panel	Bottom Panel	Divider (Left)
Divider (Right)	Leg	Door (left)	Door (right)
Back Panel	Shelf	Shelf (center)	

Hardware List

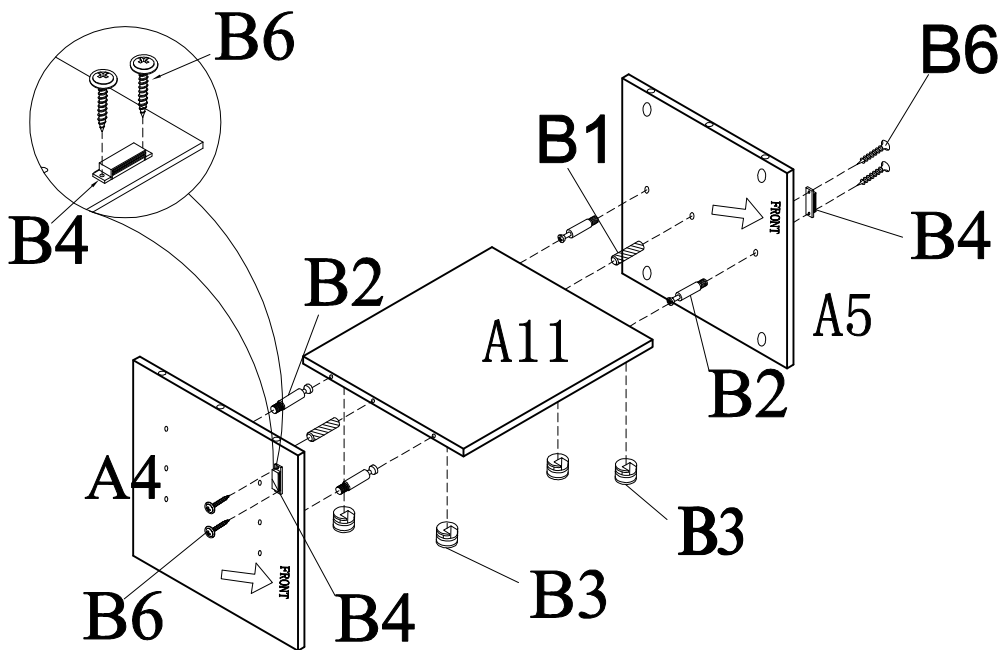
B1 Quantity of 10 	B2 Quantity of 20 	B3 Quantity of 20 	B4 Quantity of 2 
B5 Quantity of 4 	B6 Quantity of 22 	B7 Quantity of 2 	B8 Quantity of 8 
B9 Quantity of 20 			
Wood Dowel	Cam-bolt	Cam-Lock	Magnet
Hinge	Screw	Door Handle	Shelf Support
Screw			


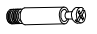


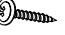
STEP 1



Attach Legs (A6) to the bottom of Bottom Panel (A3).

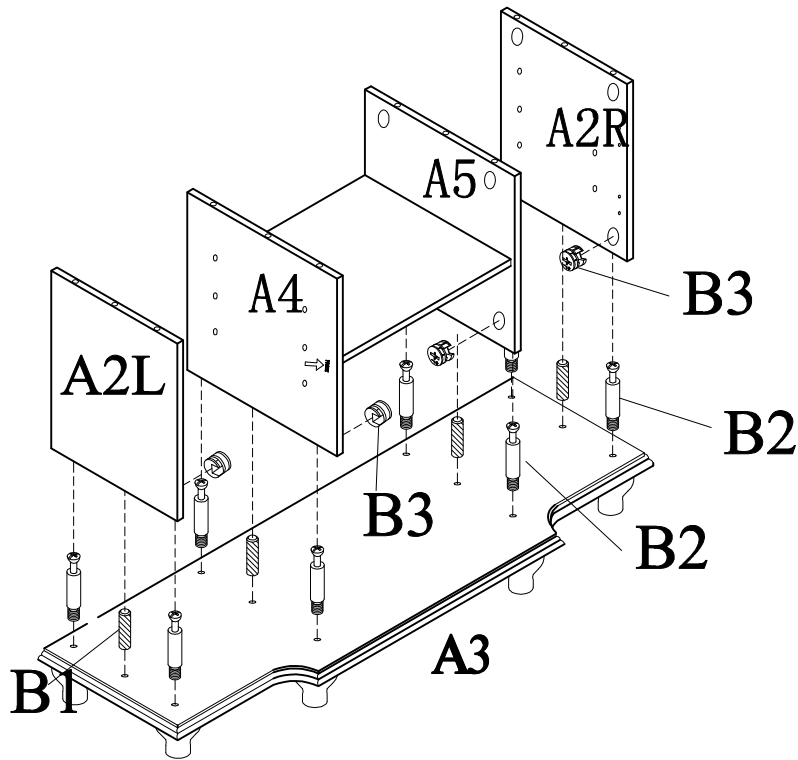
STEP 2


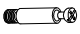



B1		2pcs
B2		4pcs
B3		4pcs
B4		2pcs
B6		4pcs

1. Attach Magnets (B4) to Dividers (A4&A5) using Screws (B6).
2. Assemble Dividers (A4&A5) to Center Shelf (A11) using Cam-Bolts (B2), Cam-Locks (B3) and Wood Dowels (B1).

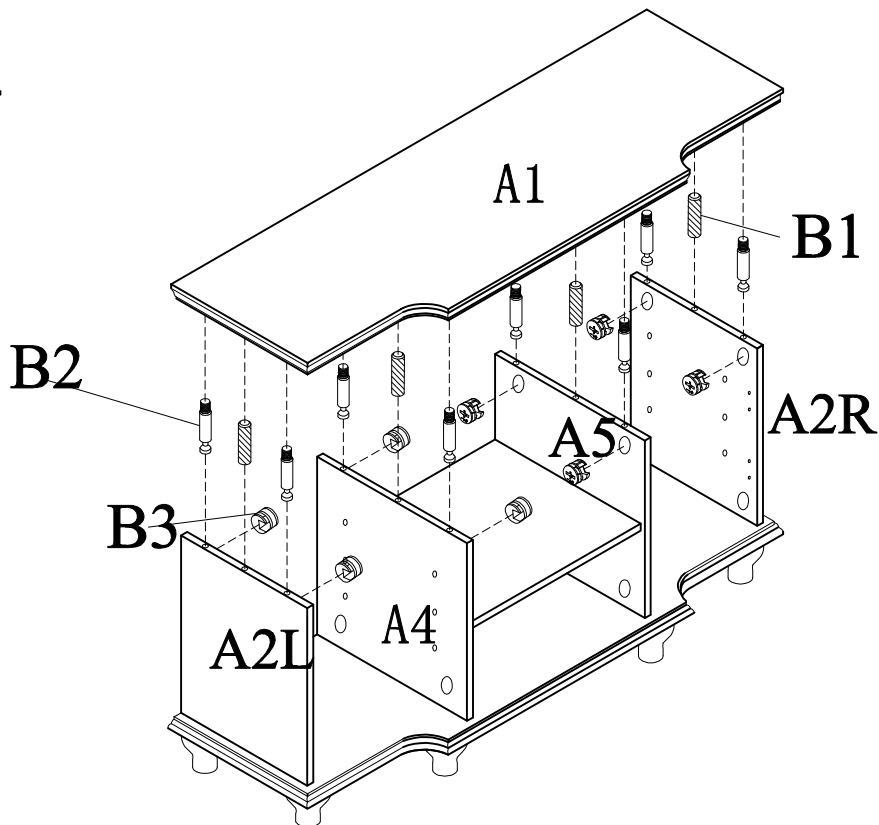
STEP 3






B1		4pcs
B2		8pcs
B3		8pcs

Assemble Dividers (A4&A5) and Side Panels (A2L&A2R) to Bottom Panel (A3) using Wood Dowels (B1), Cam-Bolts (B2) and Cam-Locks (B3).

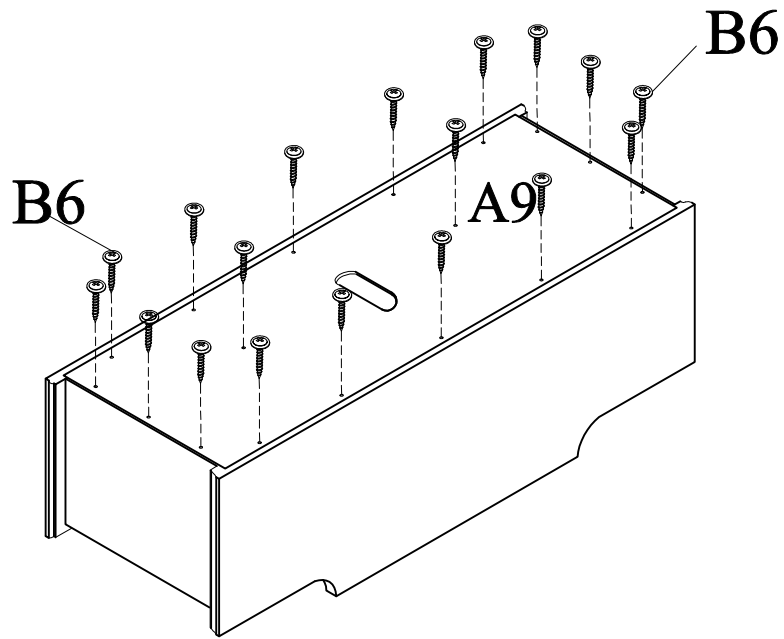
STEP 4




B1		4pcs
B2		8pcs
B3		8pcs

Assemble Top Panel (A1) to Dividers (A4&A5) and Side Panels (A2L&A2R) using Wood Dowels (B1), Cam-bolts (B2) and Cam-locks (B3).

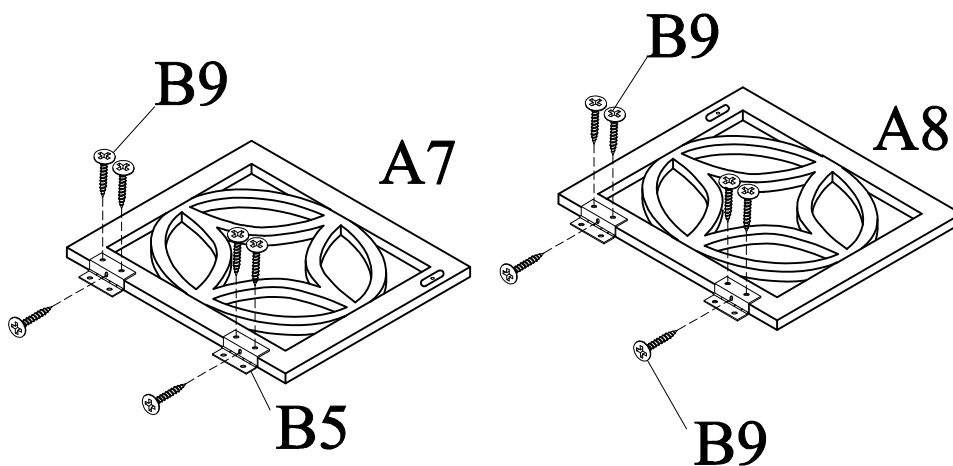
STEP 5



B6  18pcs

Attach Back Panel (A9) to the back of this unit using Screws (B6).

STEP 6

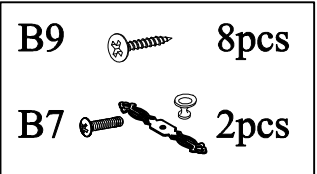
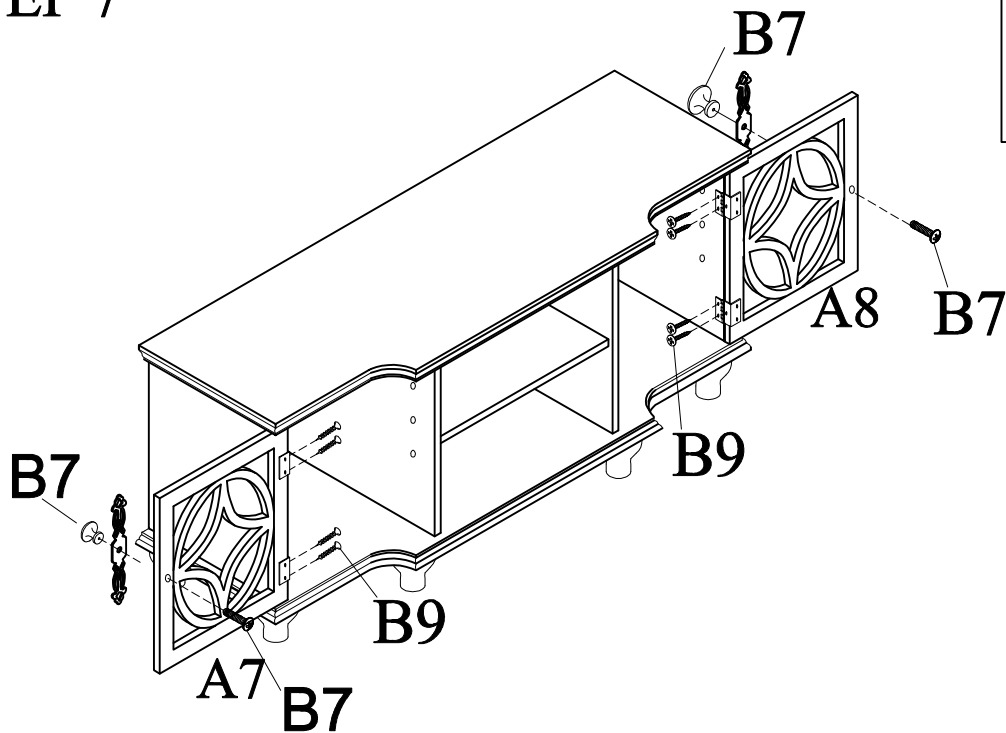


B5  4pcs

B9  12pcs

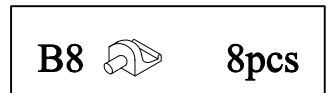
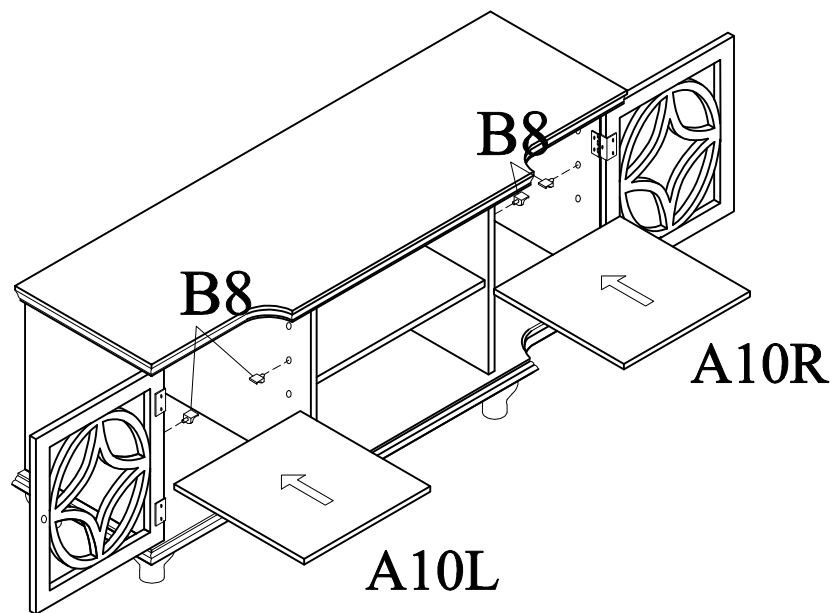
Attach Hinges (B5) to Door Panels (A7&A8) using Screws (B9).

STEP 7



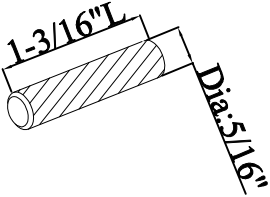
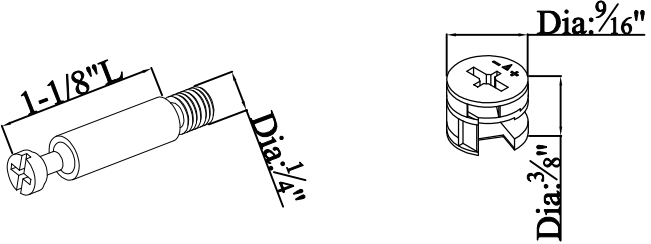
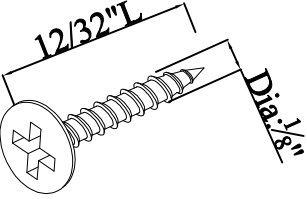
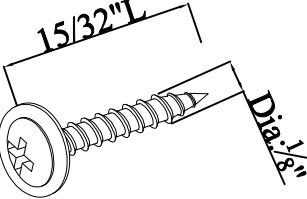
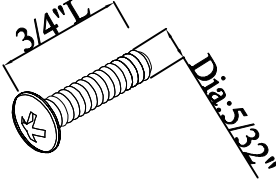
1. Attach Door Handles (B7) to Doors (A7&A8) using Bolts (B7).
2. Assemble Doors (A7&A8) to Side Panels (A2L&A2R) using Screws (B9).

STEP 8



1. Insert Shelf Supports (B8) into the holes on Side Panels (A2L&A2R).
2. Place Shelves (A10L&A10R) onto Shelf Supports (B8).

APPENDIX: Dimension of Hardwares in this AI.

<p>1.</p>  <p>1-3/16"L Dia: 5/16"</p> <p>Wood Dowel</p>	<p>2.</p>  <p>1-1/8"L Dia: 1/4"</p> <p>Dia: 9/16" Dia: 3/8"</p> <p>Cam-bolt Cam-lock</p>	
<p>5.</p>  <p>12/32"L Dia: 1/8"</p> <p>Screw</p>	<p>6.</p>  <p>15/32"L Dia: 1/8"</p> <p>Screw</p>	<p>7.</p>  <p>3/4"L Dia: 5/32"</p> <p>Bolt for Handle</p>