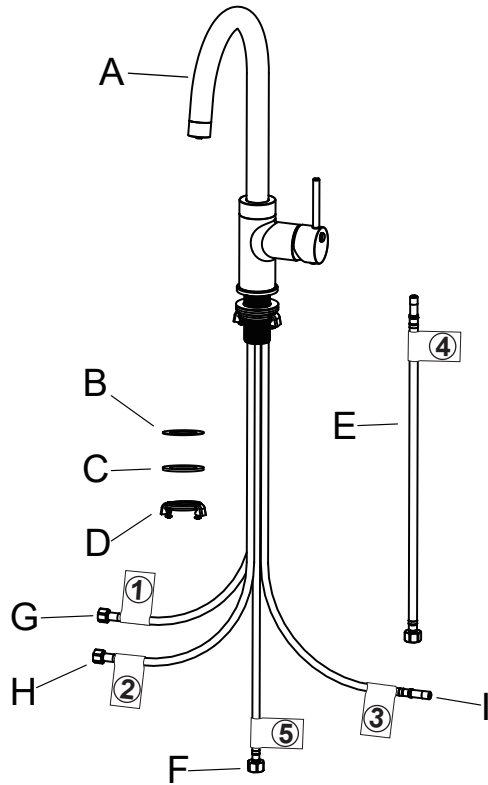
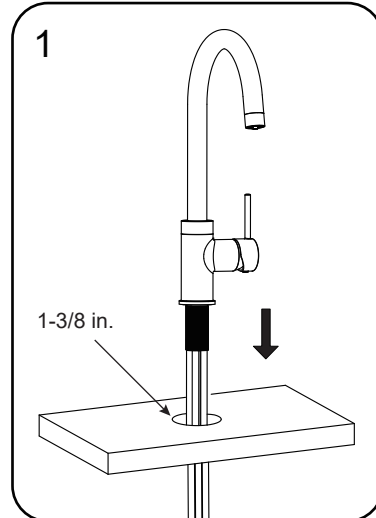


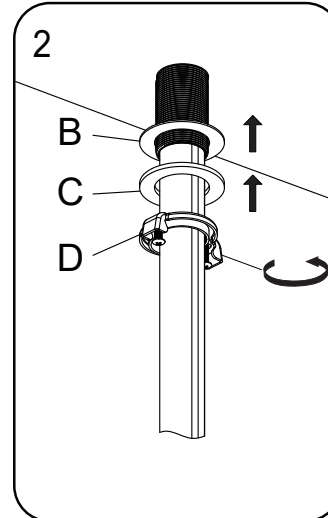
USER MANUAL 3-1 Instant Boiling Water Faucet



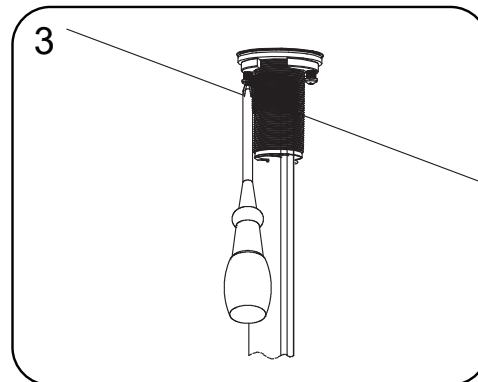
NO.	Description	QTY
A	Faucet	1
B	Rubber Washer	1
C	Metal Washer	1
D	Mounting Nut	1
E	Drinking Water Supply Hose	1
F	Boiling Water Outlet Hose	1
G	Cold Water Supply Hose	1
H	Hot Water Supply Hose	1
I	Cold Water Outlet Hose	1



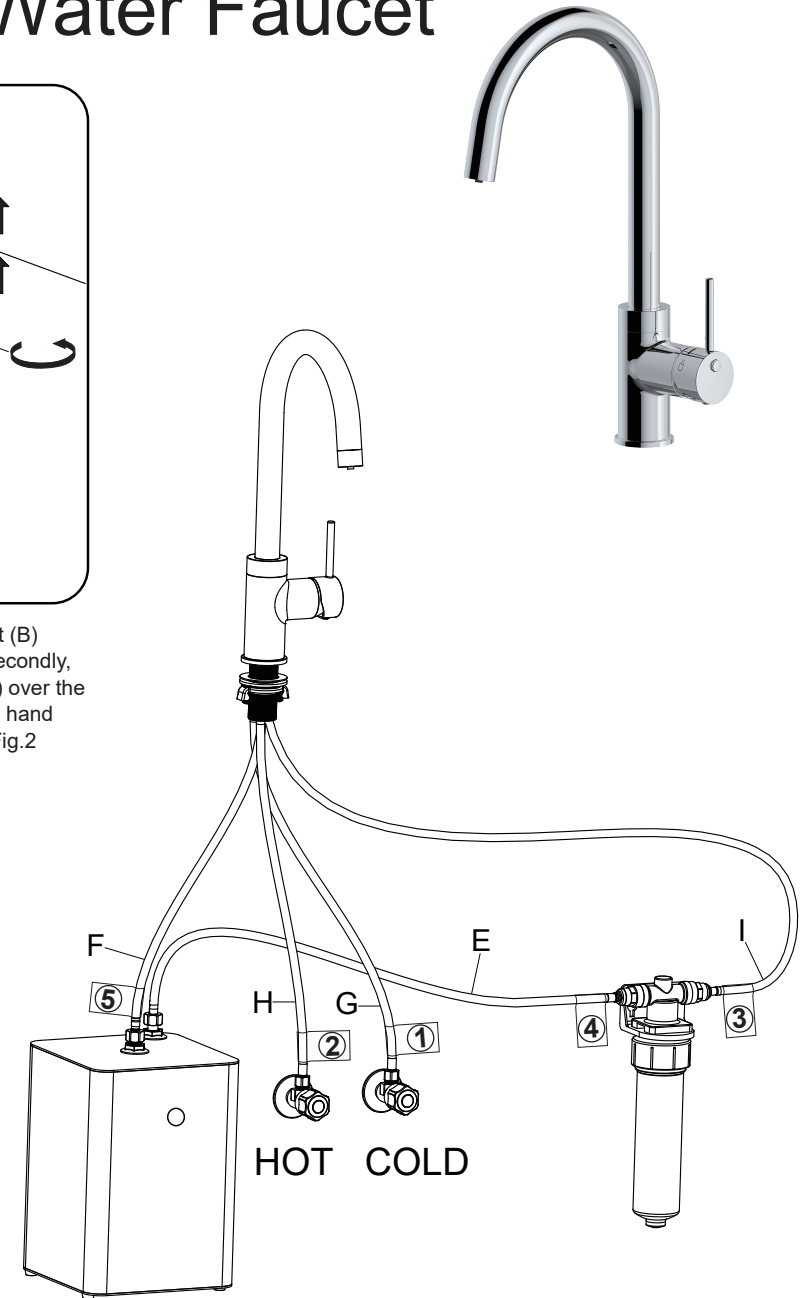
1. Mount the faucet on the Sink. See Fig.1

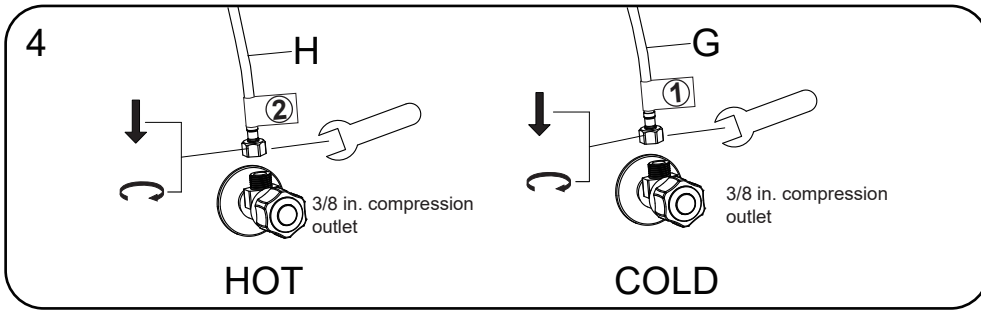


2. Slide the rubber gasket (B) firstly, metal washer (C) secondly, then the mounting nut (D) over the hoses onto the stem, and hand tighten them firmly. See Fig.2

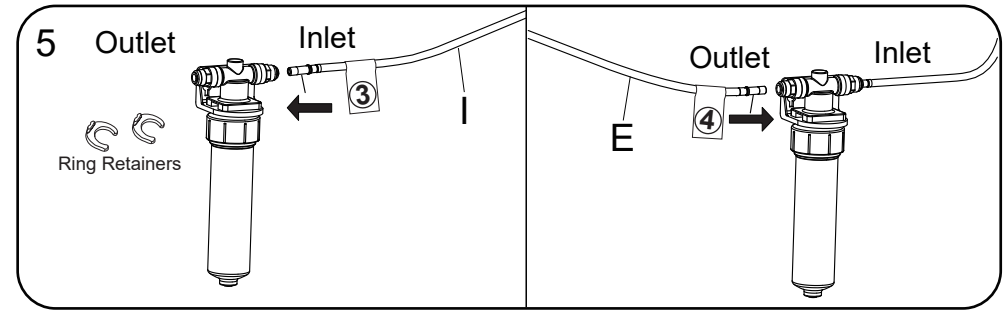


3. Use a phillips head screwdriver to tighten the 2 screws. See Fig.3

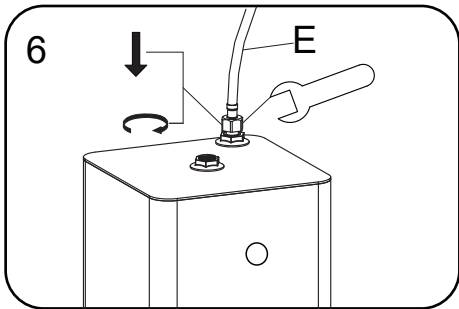




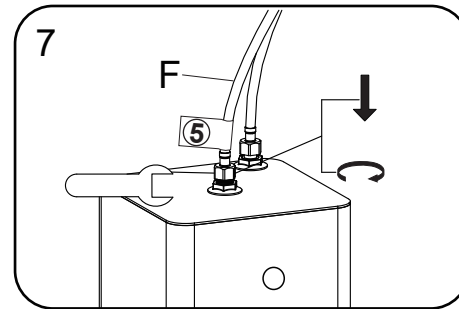
4. Connect the Cold supply hose (G) (①/ blue color) onto the 3/8 in. compression Cold-water valve. Connect the Hot supply hose (H) (②/ Orange color) onto the 3/8 in. compression Hot water valve and secure the connections with an adjustable wrench. See Fig.4



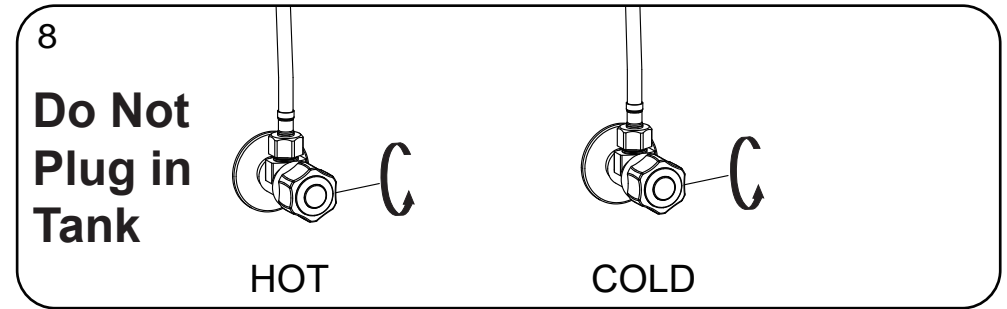
5. Remove the release ring retainers from the filter and save. Fit the Cold-Water outlet Hose (I) (with label ③/blue color) into the filter housing inlet. Fit Drinking Water Supply Hose (E) (with label ④/ Green color) into the filter housing outlet. Mount filter housing and assemble according to the included directions inside the filter box. Replace release ring retainers. See Fig. 5



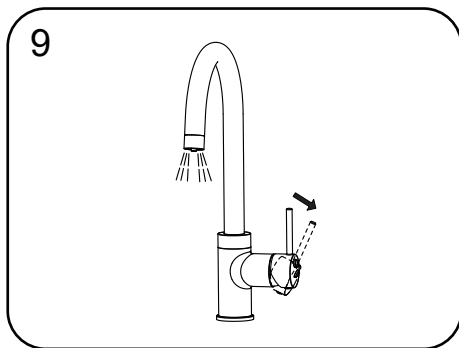
6. Connect other end of Drinking Water Supply Hose (E) from filter, onto the inlet of hot tank marked in blue, using the provided silicone washer between fitting and pipe. Secure the connection with an adjustable wrench. See Fig.6



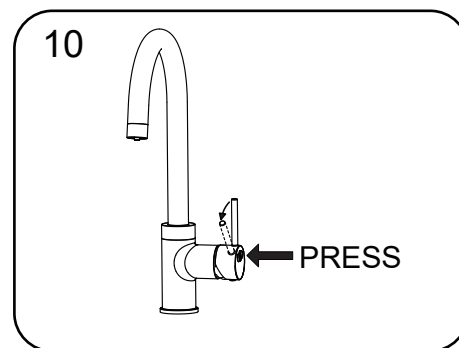
7. Connect Boiling water outlet hose (F) (with label ⑤/ red color) onto the outlet of boiling water tank indicated with Red. Using the silicone washer provided, secure the connection with an adjustable wrench. See Fig.7



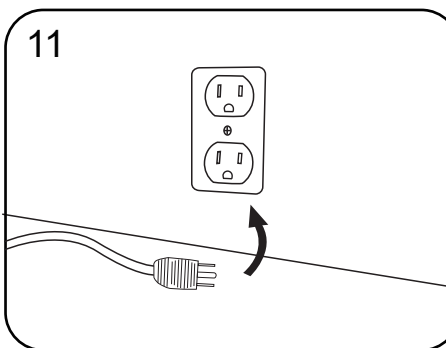
8. Turn on the water supply and check the water connections for leaks. Purge Hot Water Appliance by running a minimum of 5 gallons of water (20 litres) through the tank to remove any air and clean the filter. See step 9.



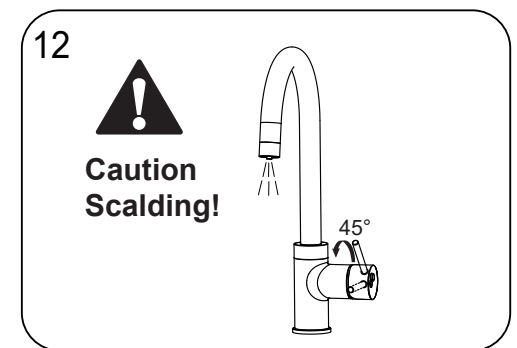
9. Open the handle to the right and the water will come out. Turn the handle forward or backward to control the water temperature according to the hot and cold indication for hot and cold tap water.



10. Press the button on the handle and turn the handle straight forward 45 degrees. Allow the faucet to fill the tank until water comes out the spout. Let it run a while to remove air and clean the filter cartridge.



11. Now, plug tank into electrical outlet. Press and hold the start button for 3 seconds to switch unit on. Power indicator will flash and show temperature. Follow the instructions included with the tank to adjust temperature.



12. Press the button on the handle and turn the handle straight forward 45 degrees. Boiling water will come out of the faucet after 2-3 seconds. **Caution: Water is Scalding Hot!**