



Renovators Supply, Inc.© www.rensup.com

Please Read The Following Instructions Before Installing.

NOTE: It is not recommended to pre-install or rough-in the product before actually receiving it on location. This is due to slight variations in the product.

Preparation and disassembly:

1. Shut off water supply to the existing water closet
2. Disconnect water supply tubing from existing tank and angle stop valve
3. Remove existing water closet and tank from floor
4. Remove old wax seal and clean area around the drain

Toilet Bowl Installation

1. To install the toilet bowl tum it upside-down.
Place the new wax ring (available at any hardware or plumbing supply store) and sleeve over the drain horn. Press it down firmly. Note: if the ring has a paper cover, remove it.
2. Make sure the toilet flange is clean and the floor bolts point straight up. Carefully position the toilet bowl over the flange, and fit the holes in the toilet base directly over the floor bolts.
3. Press down on the toilet bowl to compress the wax ring. To form a tight seal. Attach the washers and nuts to the floor bolts, and tighten them with a (non-scratch) adjust able wrench.
(**Note:** Don't over-tighten the bolts as you may crack the ceramic base).

Toilet Bolt Covers are available at rensup.com

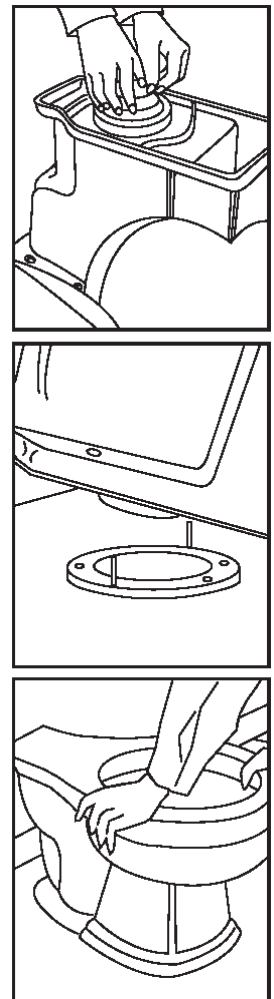
17612 White

17613 Bone

17614 Black

Replacement Toilet Seats are available for some toilets at rensup.com, please verify model and color before ordering.

17424, 17423, 17425 and 17426.



These instructions and drawings disclose confidential and other data of proprietary nature owned by Renovator's Supply Inc.© and may not be used or disclosed to others without the prior written consent of Renovator's Supply Inc.©

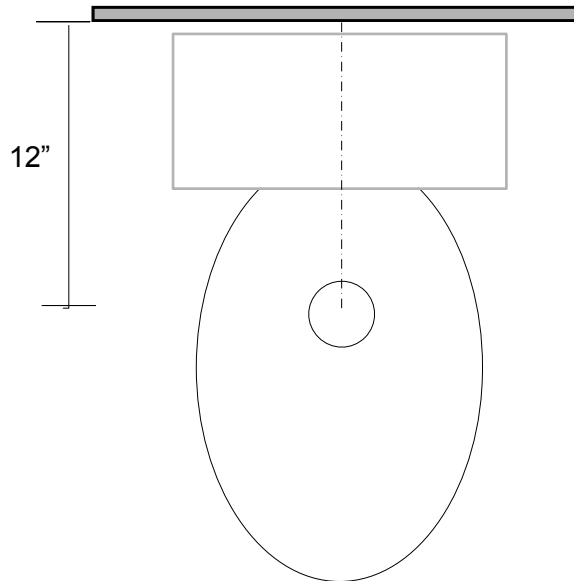


Renovators Supply, Inc.© www.rensup.com

Please Read The Following Instructions Before Installing.

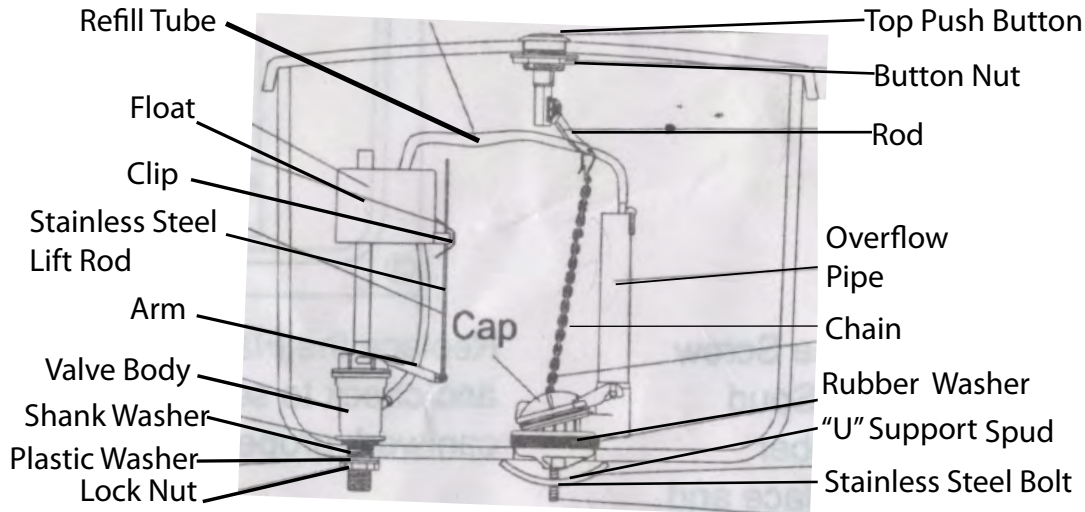
NOTE: It is not recommended to pre-install or rough-in the product before actually receiving it on location. This is due to slight variations in the product.

Standard 12 inch rough-in:



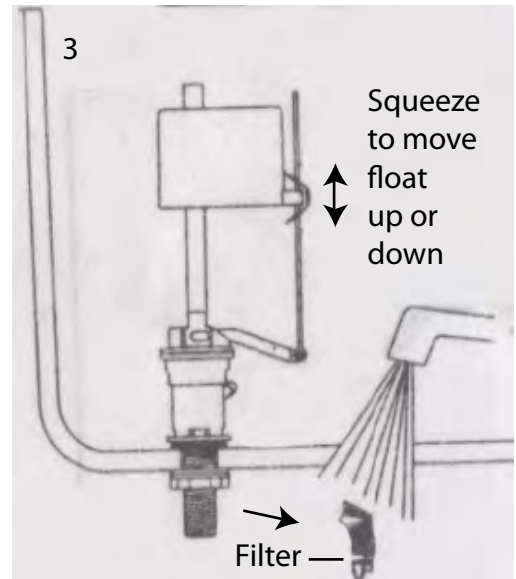
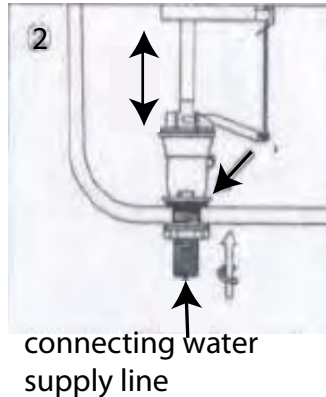
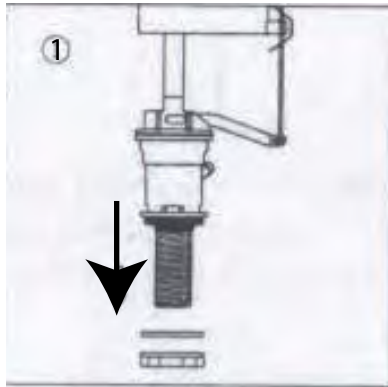
These instructions and drawings disclose confidential and other data of proprietary nature owned by Renovator's Supply Inc.© and may not be used or disclosed to others without the prior written consent of Renovator's Supply Inc.©

Before installing, remove old fittings and clean tank. Do NOT use plumber's putty to seal fittings. Do NOT use chlorine (bleach) cleaners or related products. Note: valves shown below may vary in appearance from the actual valves you may have received.



Dual Flush Valve & Top Push Button

Fill Valve



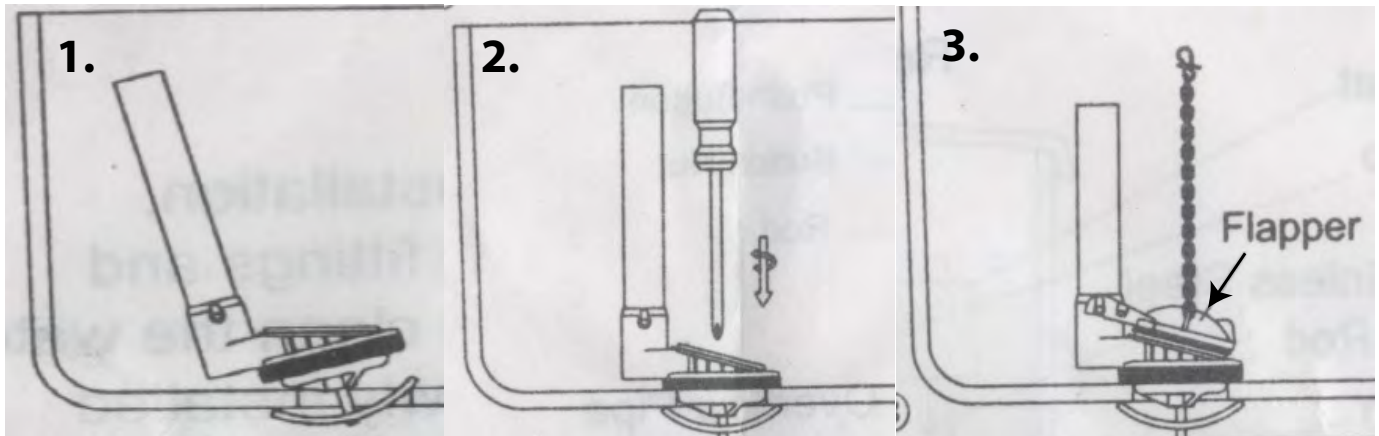
Disassemble the Lock Nut & Plastic Washer for valve installation.

Position valve inside tank. Push down on the valve shank (not the top) while attaching plastic washer & tightening lock nut beyond hand tight.

Adjust water level by squeezing level adjustment clip & moving float up or down along the stainlesssteel lift rod. Always clean the filter.

These instructions and drawings disclose confidential and other data of proprietary nature owned by Renovator's Supply Inc.© and may not be used or disclosed to others without the prior written consent of Renovator's Supply Inc.©

Flush Valve

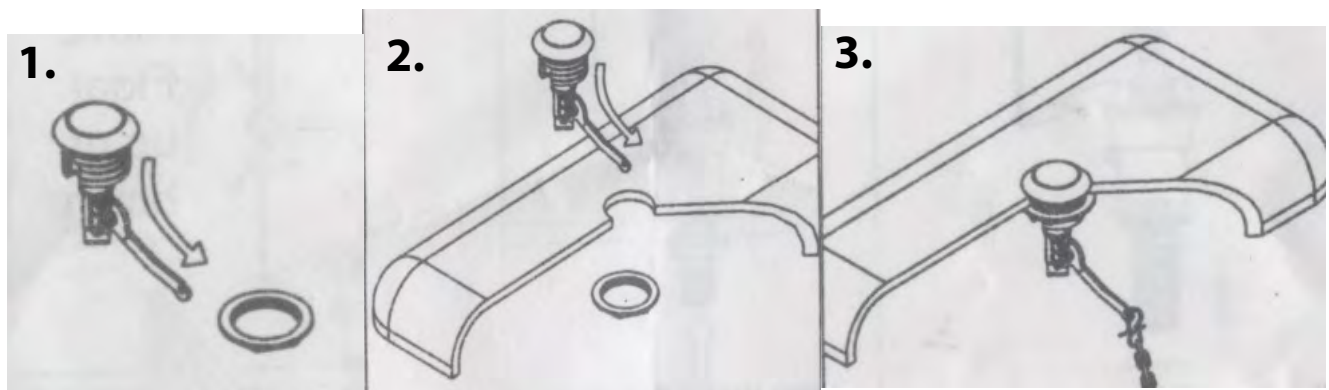


1. Disassemble the bolt, unload the flapper. Loosen the "U" support spud to the end of bolt & set the valve seat on the outlet of tank. Lean the valve properly, insert the "U" support spud in the outlet & reset the valve.

2. Screw the bolt clockwise with a screw driver & lock the "U" support spud tightly. Ensure the rubber washer is installed to the tank surface & the valve seat is installed vertically & firmly.

3. Replace the flapper from the valve. Check to ensure the valve is working properly.

Push Button



1. Unscrew the nut from the body by hand.

2. Insert the body in the button hole from outside, then tighten it with the nut.

3. Hang the chain on the rod hole (3 holes for selecting one) & check to assure the push button can work properly. Last, check to ensure it is working properly without interference.