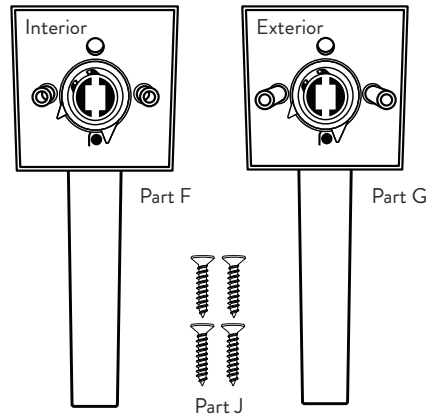
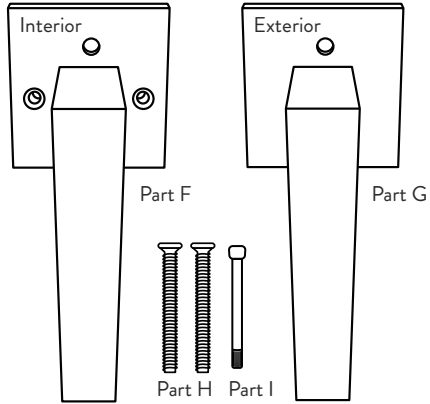
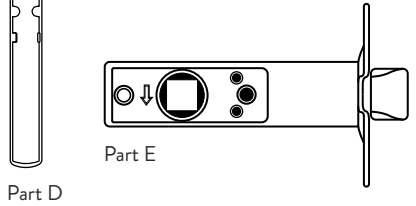
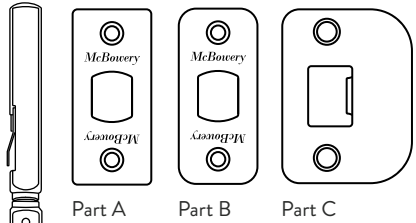


McBower

Installation Manual

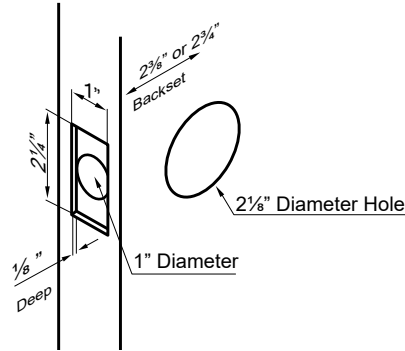
Privacy Contents



1. Dimensions

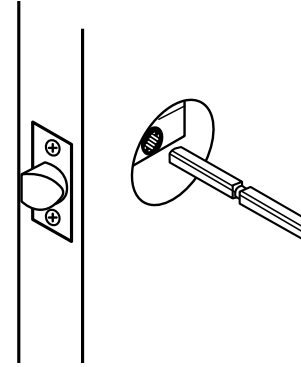
Measure to confirm the following dimensions:

- A. Diameter of the hole in the door is $2\frac{1}{8}$ "
- B. Back-set of the hole is either $2\frac{3}{8}$ " or $2\frac{3}{4}$ "
- C. Diameter of hole at edge of the door is 1"
- D. Thickness of the door is $1\frac{3}{8}$ " or $1\frac{3}{4}$ "
- E. The door edge is chiseled and is $\frac{1}{8}$ " deep



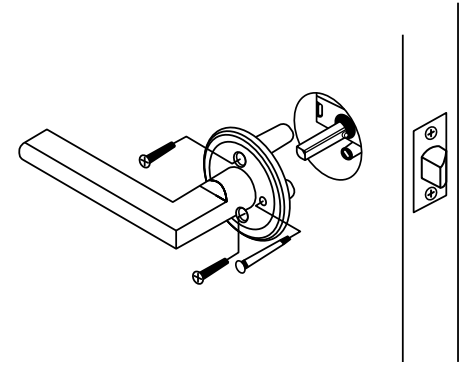
3. Install Spindle

Insert spindle (part D) through door hole and through latch. Refer to box content to see which side to insert first. Spindle should sit evenly on both sides of the door.



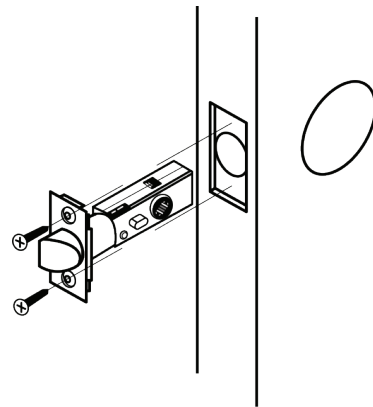
5. Install Interior Trim

Insert interior trim (part F) over spindle on the interior part of the door. Use two large size screws (part H) to secure. Insert privacy pin (part I) into the small hole in the trim.



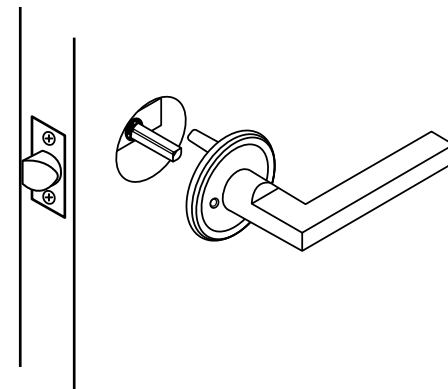
2. Install Latch

Insert latch (part E) into the hole at the edge of the door. Place cover of your choice over latch (part A or B) and use two small size screws (part J) to secure.



4. Install Exterior Trim

Insert exterior trim (part G) over spindle on the exterior side of the door.

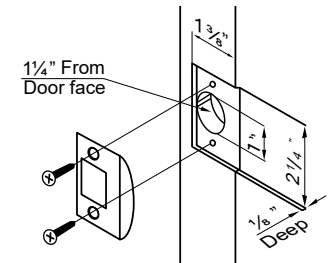


6. Door Jam Prep

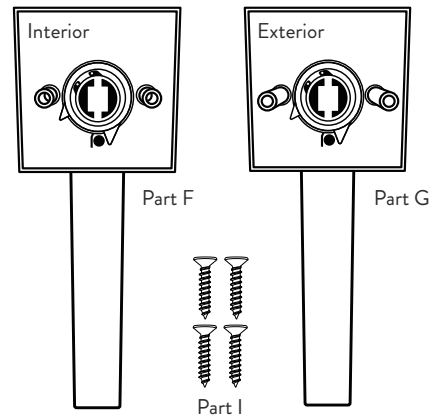
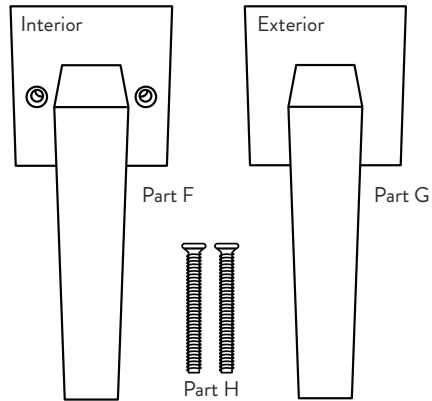
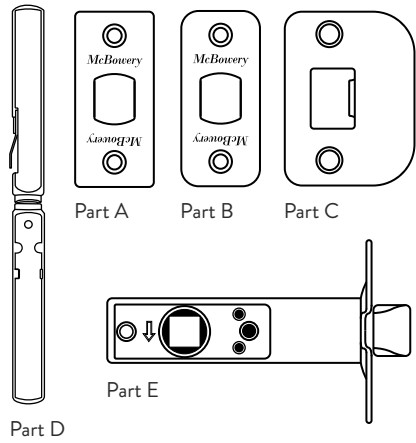
Measure to confirm the dimensions:

- A. Diameter of the hole is 1"
- B. Width of door jam is $1\frac{3}{8}$ "
- C. Length of door jam is $2\frac{1}{4}$ "
- D. The door should be chiseled to $\frac{1}{8}$ " deep

Place door strike (part C) over door jam and use two small size screws (part J) to install.



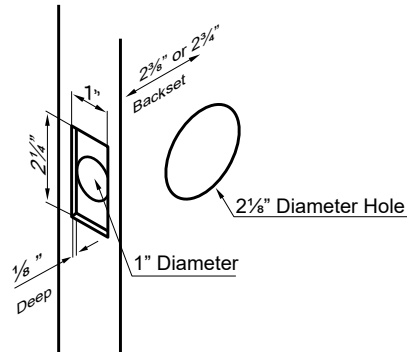
Passage Contents



1. Dimensions

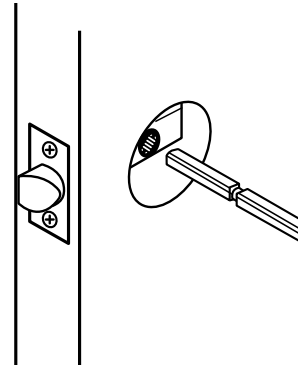
Measure to confirm the following dimensions:

- A. Diameter of the hole in the door is $2\frac{1}{8}$ "
- B. Back-set of the hole is either $2\frac{3}{8}$ " or $2\frac{3}{4}$ "
- C. Diameter of hole at edge of the door is 1"
- D. Thickness of the door is $1\frac{3}{8}$ " or $1\frac{3}{4}$ "
- E. The door edge is chiseled and is $\frac{1}{8}$ " deep



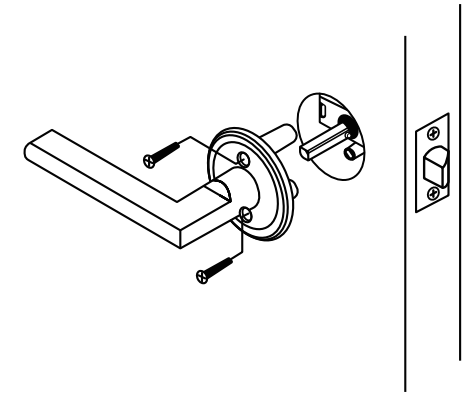
3. Install Spindle

Insert spindle (part D) through door hole and through latch. Refer to box content to see which side to insert first. Spindle should sit evenly on both sides of the door.



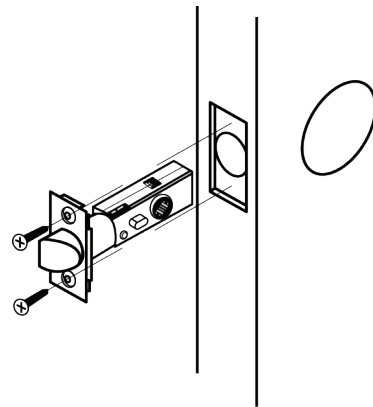
5. Install Interior Trim

Insert interior trim (part F) over spindle on the interior part of the door. Use two large size screws (part H) to secure.



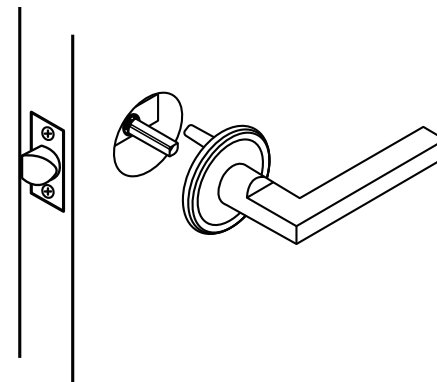
2. Install

Insert latch (part E) into the hole at the edge of the door. Place cover of your choice over latch (part A or B) and use two screws (part I) to secure.



4. Install Exterior Trim

Insert exterior trim (part G) over spindle on the exterior side of the door.

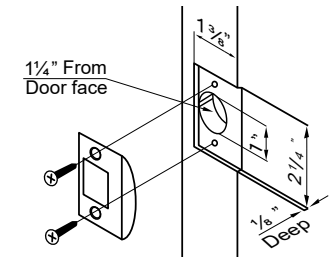


6. Door Jam Prep

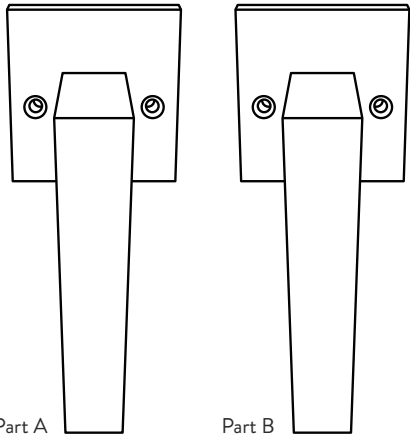
Measure to confirm the dimensions:

- A. Diameter of the hole is 1"
- B. Width of door jam is $1\frac{3}{8}$ "
- C. Length of door jam is $2\frac{1}{4}$ "
- D. The door should be chiseled to $\frac{1}{8}$ " deep

Place door strike (part C) over door jam and use two small size screws (part I) to install.

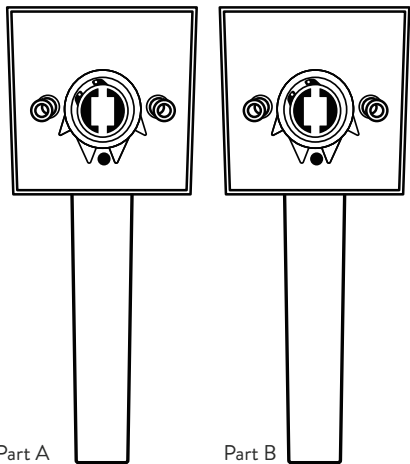


Dummy Contents



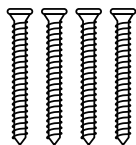
Part A

Part B



Part A

Part B



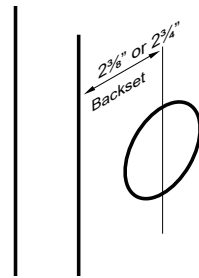
Part C

1. Placement

Decide where you would like to install the door handle. Standard measurements below:

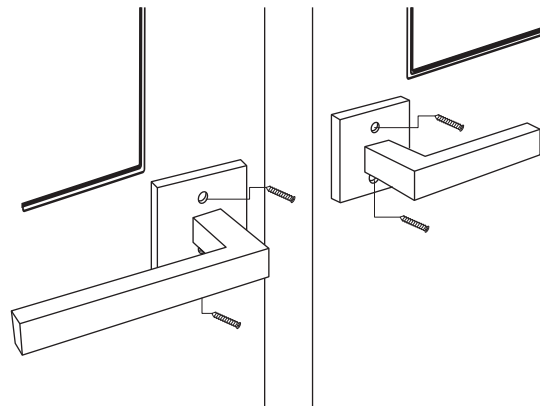
A. Door handle should be a minimum of 34" off the floor and a maximum of 48" above the floor. Standard practice is to install the handle about 36" off the floor.

B. Standard back-set away from the door is 2³/₈" or 2³/₄".



2. Install Dummy

Make sure the handle is level and use two screws (Part C) and a drill to secure the handle to the door. Repeat on second door if relevant.

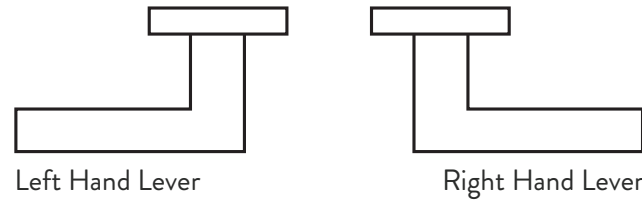


Note

- A. Door and door frame must be dry from any paint prior to installation.
- B. Instruction photos show right hand installation. Instructions remain the same for left handed doors, simply apply the same process in the reverse.

Lever Handing

See below a diagram of a left hand lever versus a right hand lever.



Left Hand Lever

Right Hand Lever

Hinged Door Handing

To determine the handing of your door, stand outside the door and face the door: If the hinges are on the left hand side of the door frame, you need a left-handed door set. If the hinges are on the right hand side of the door frame, you need a right-handed door set. See diagram below for visual.

