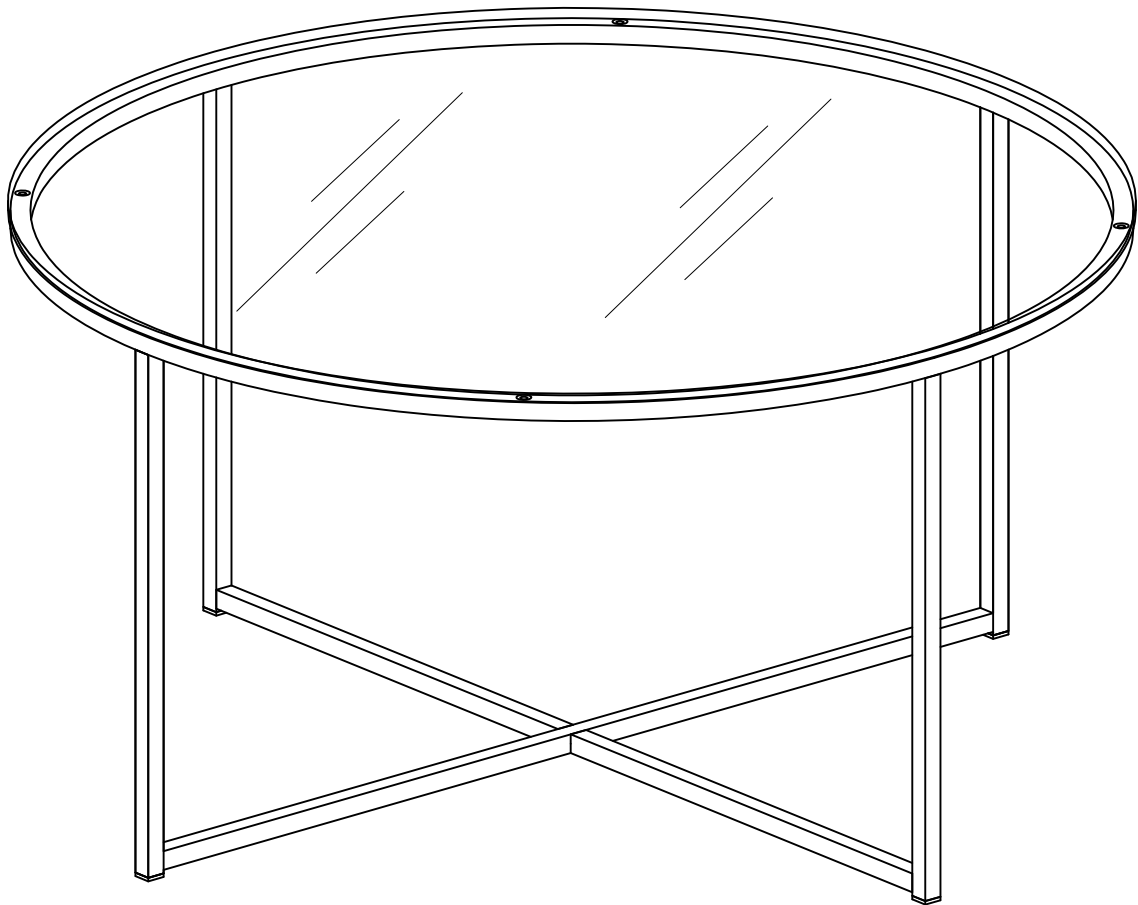


**WE** Walker<sup>®</sup>  
Edison  
furniture company

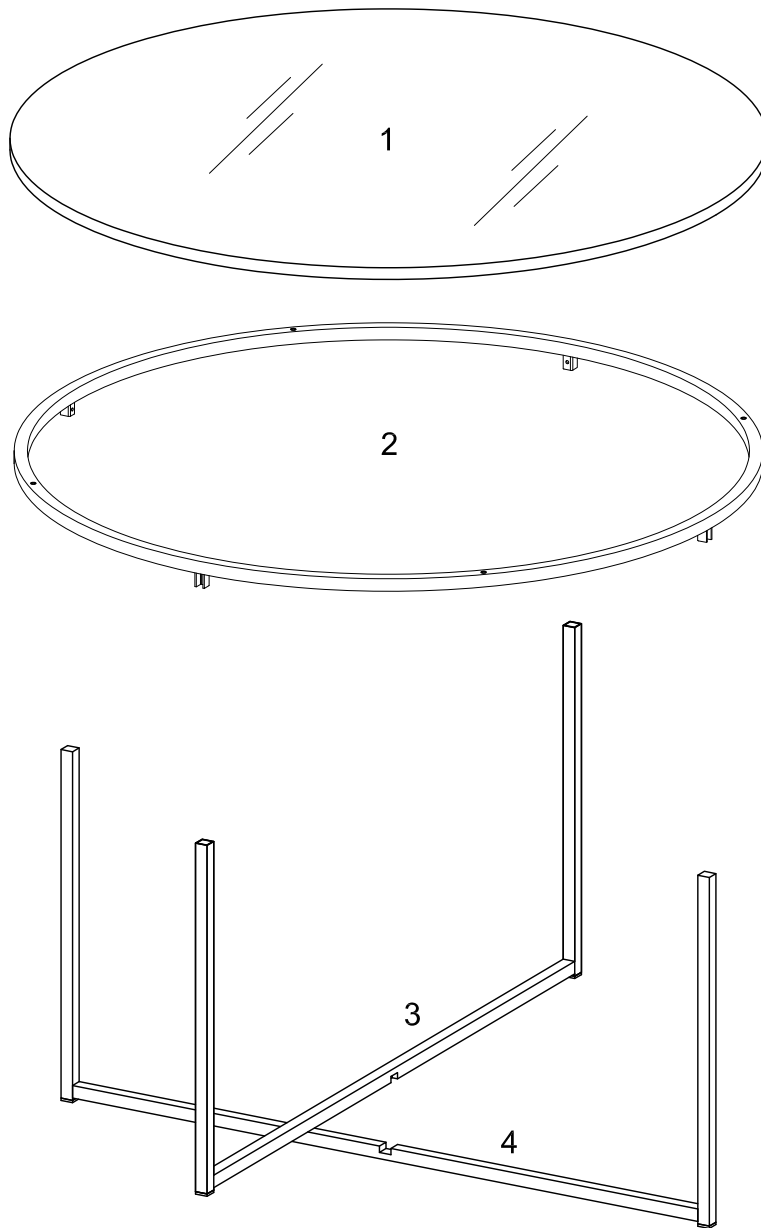
Item # : AF36ALCTG  
Assembly Instructions



*Please visit our website for the most current instructions, assembly tips, report damage, or request parts. [www.walker-edison.com](http://www.walker-edison.com)*

Revised 03/2017

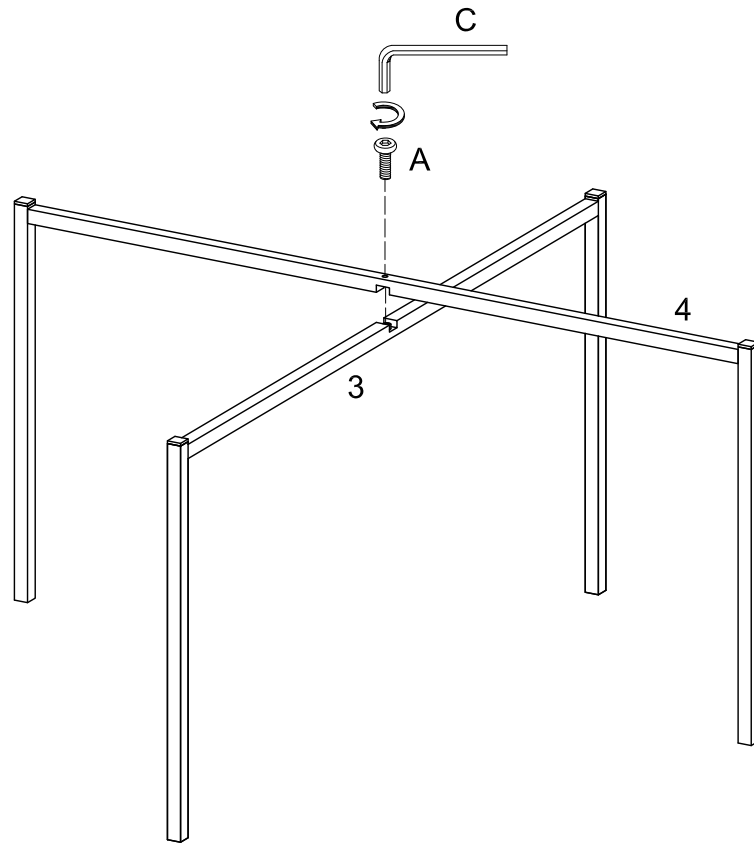
# Parts List



# Hardware List

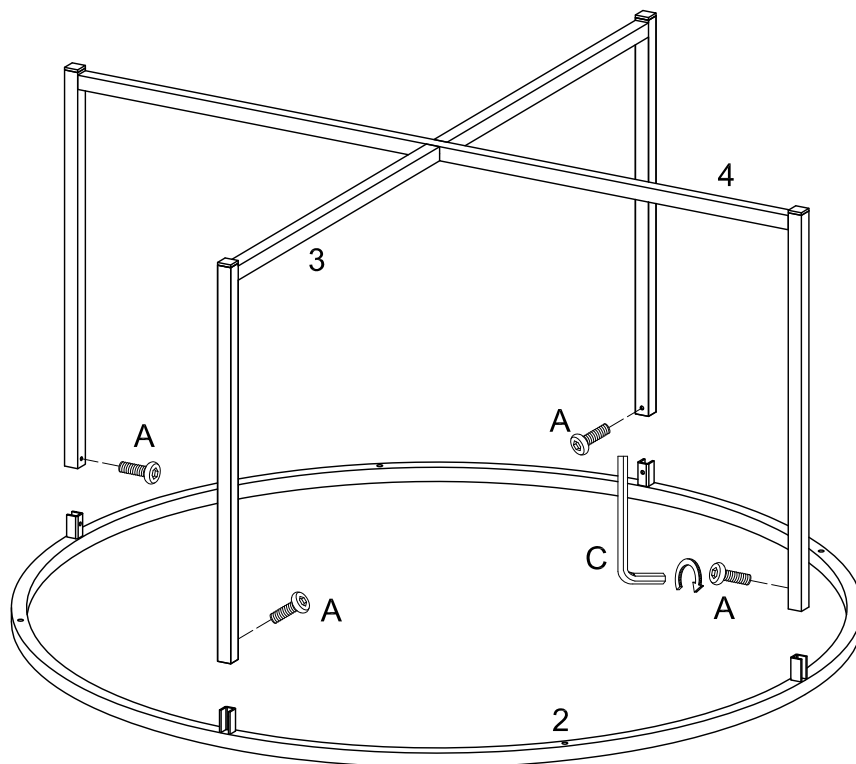
A		M6x10mm	Bolt	5 pcs
B			Rubber suction cups	4 pcs
C		M4mm	Wrench	1 pc

# Step 1



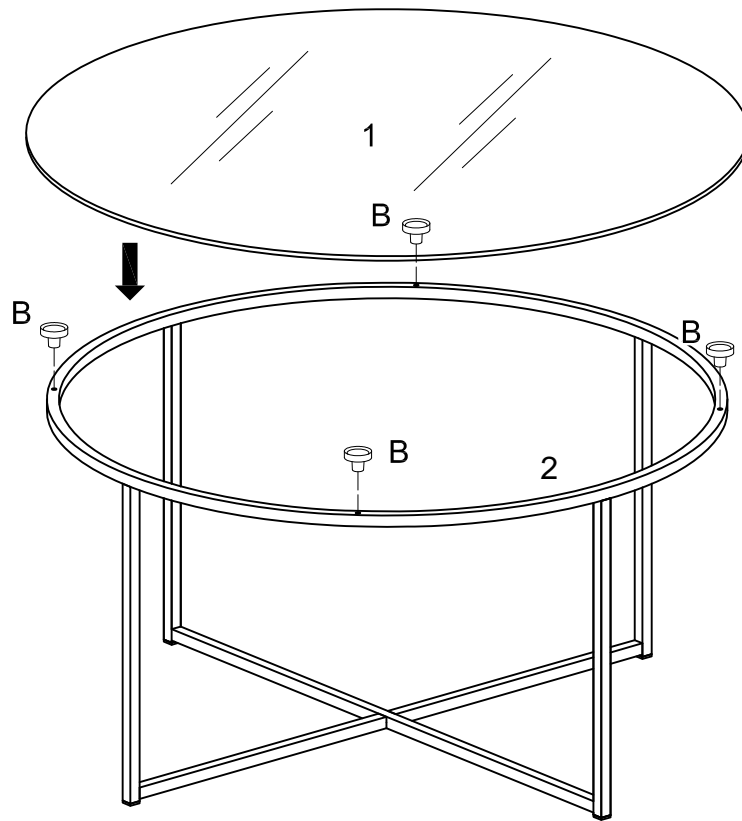
Use wrench (C), to secure legs (3,4) with bolt (A).

# Step 2



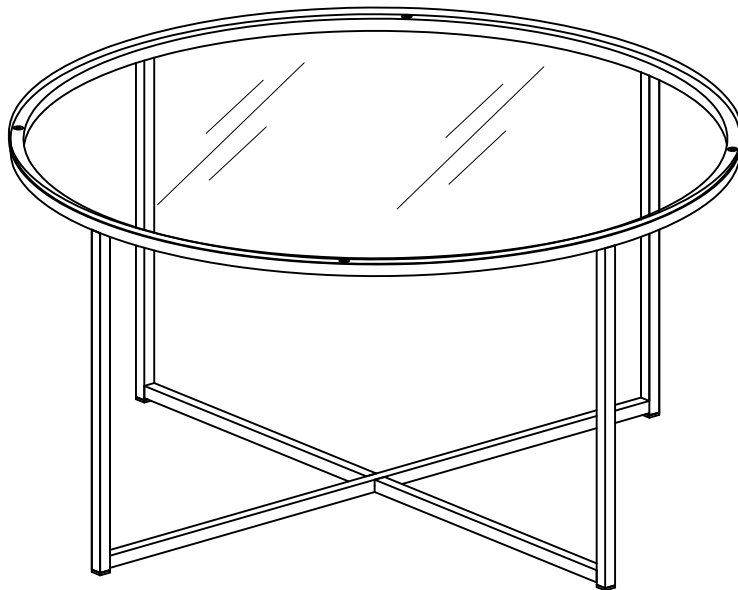
Use wrench (C), to secure legs (3,4) to table top frame (2) with bolts (A).

## Step 3



Insert rubber suction cups (B), then place the glass (1) carefully on top of table top frame (2).

## Step 4



## Final Assembly