



Renovators Supply, Inc.© www.rensup.com

Please Read The Following Instructions Before Installing.

NOTE: It is not recommended to pre-install or rough-in the product before actually receiving it on location. This is due to slight variations in the product.

Preparation and disassembly:

1. Shut off water supply to the existing water closet
2. Disconnect water supply tubing from existing tank and angle stop valve
3. Remove existing water closet and tank from floor
4. Remove old wax seal and clean area around the drain

Toilet Bowl Installation

1. To install the toilet bowl turn it upside-down. Place the new wax ring (available at any hardware or plumbing supply store) and sleeve over the drain horn. Press it down firmly. Note: if the ring has a paper cover, remove it.
2. Make sure the toilet flange is clean and the floor bolts point straight up. Carefully position the toilet bowl over the flange, and fit the holes in the toilet base directly over the floor bolts.
3. Press down on the toilet bowl to compress the wax ring. To form a tight seal. Attach the washers and nuts to the floor bolts, and tighten them with a (non-scratch) adjustable wrench.
(Note: Don't over-tighten the bolts as you may crack the ceramic base).

Toilet Bolt Covers are available at rensup.com

17612 White

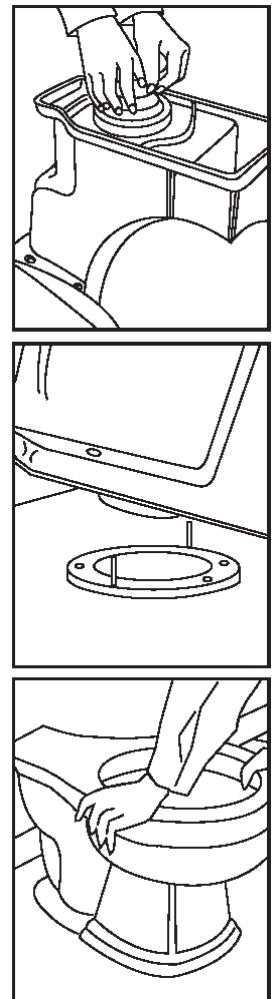
17613 Bone

17614 Black

Our No Slam Toilet Seats are available at rensup.com

White round 14349, elongated 13506.

Bone round 15390, elongated 15389.

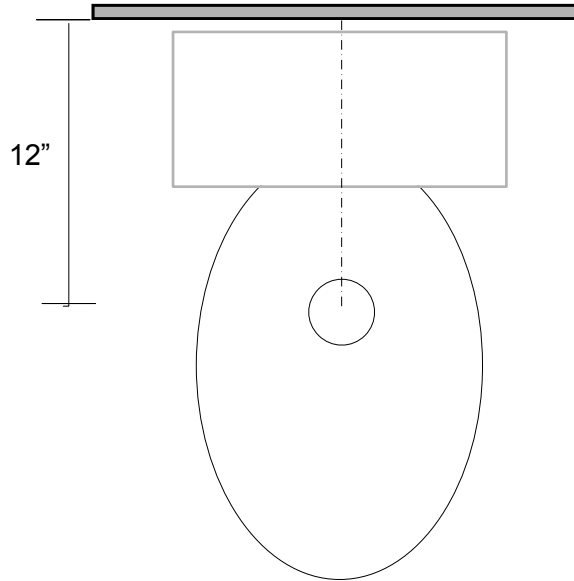


These instructions and drawings disclose confidential and other data of proprietary nature owned by Renovator's Supply Inc.© and may not be used or disclosed to others without the prior written consent of Renovator's Supply Inc.©

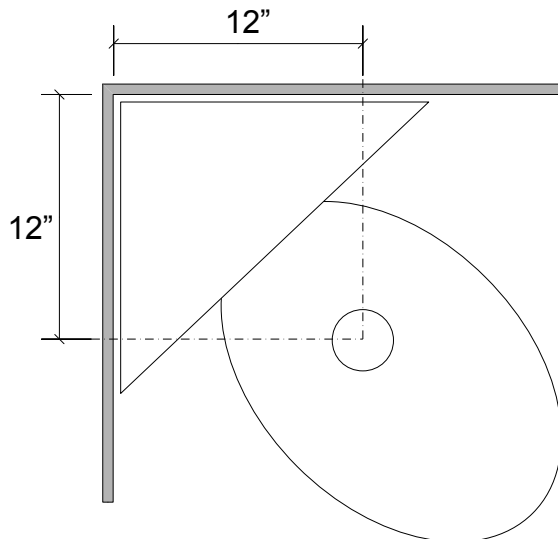
Please Read The Following Instructions Before Installing.

NOTE: It is not recommended to pre-install or rough-in the product before actually receiving it on location. This is due to slight variations in the product.

Standard 12 inch rough-in:

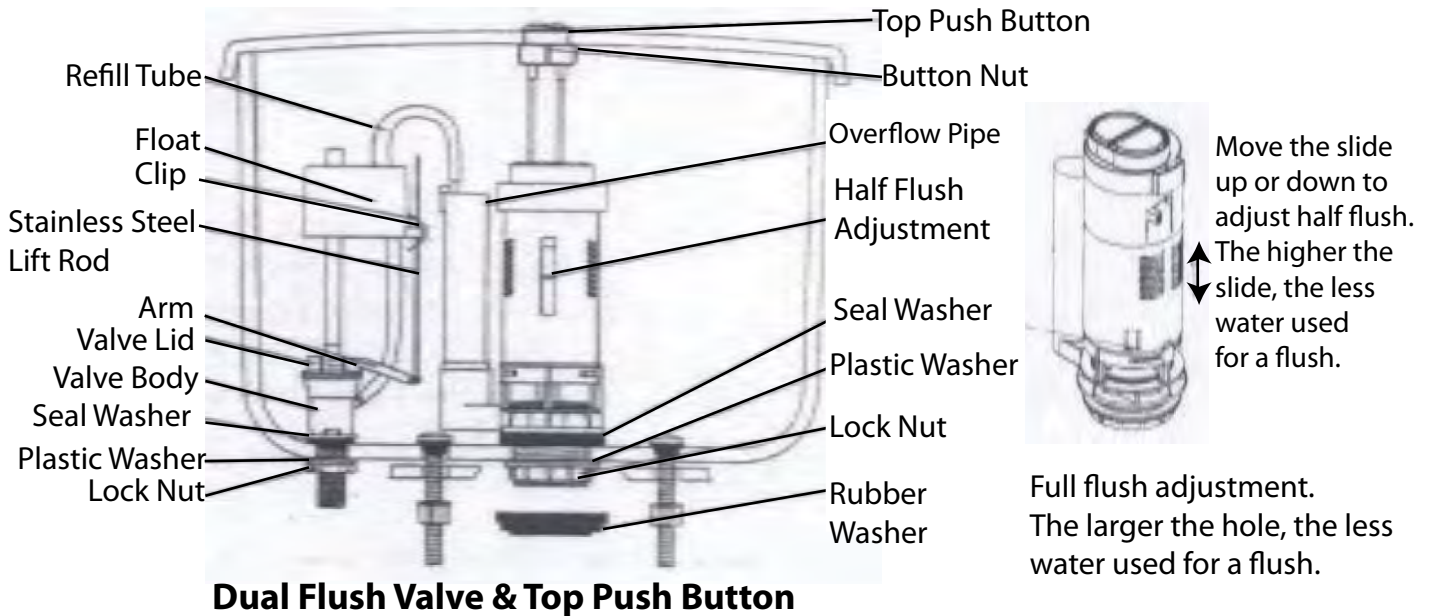


Corner 12 inch rough-in:

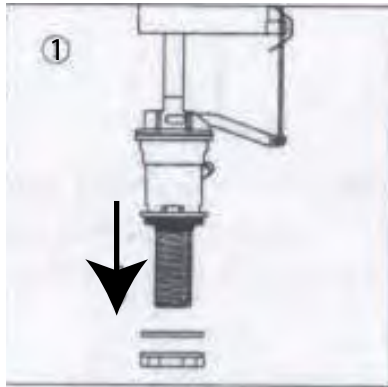


These instructions and drawings disclose confidential and other data of proprietary nature owned by Renovator's Supply Inc.© and may not be used or disclosed to others without the prior written consent of Renovator's Supply Inc.©

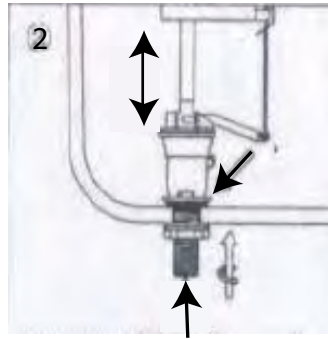
Before installing, remove old fittings and clean tank. Do NOT use plumber's putty to seal fittings. Do NOT use chlorine (bleach) cleaners or related products. Note: valves shown below may vary in appearance from the actual valves you may have received.



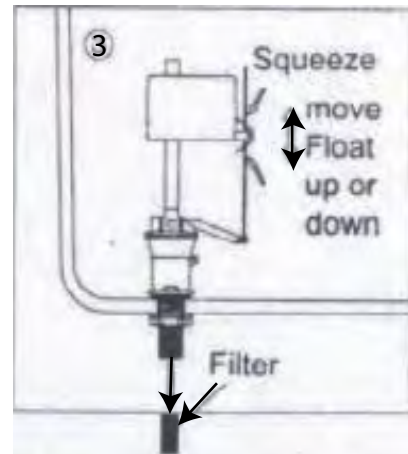
Fill Valve



1 Disassemble the Lock Nut & Plastic Washer for valve installation.



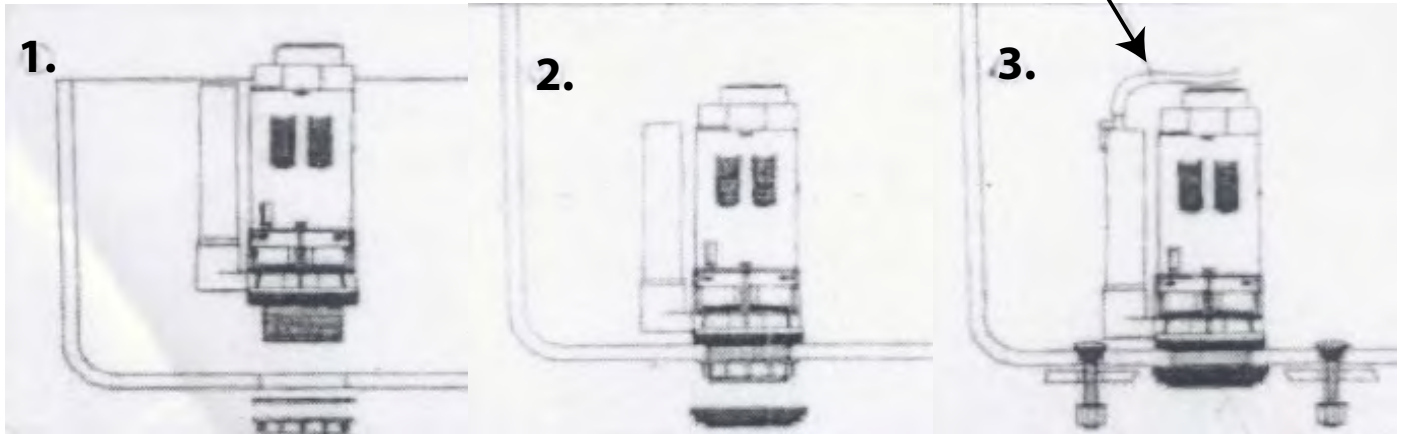
2 Position valve inside tank. Push down on the valve shank (not the top) while attaching plastic washer & tightening lock nut beyond hand tight.



3 Adjust water level by squeezing level adjustment clip & moving float up or down along the stainless steel lift rod. Always clean the filter.

These instructions and drawings disclose confidential and other data of proprietary nature owned by Renovator's Supply Inc.© and may not be used or disclosed to others without the prior written consent of Renovator's Supply Inc.©

Dual Flush Valve

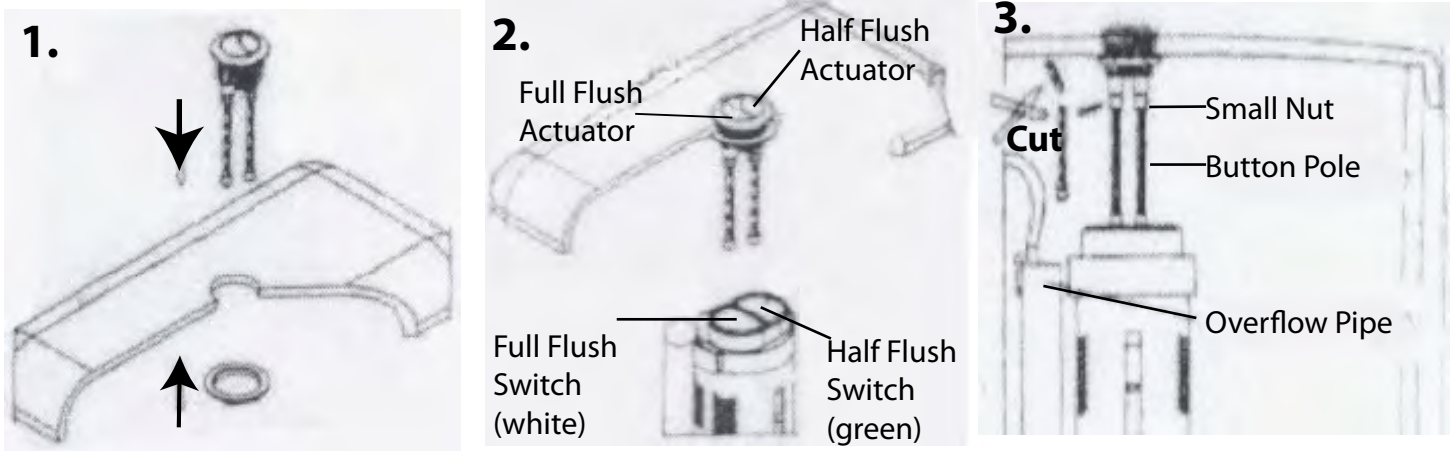


1. Disassemble the lock nut for valve installation. Position the valve inside the tank. Push down on the valve body while tightening the lock nut from outside.

2. Position the rubber washer in the lock nut.

3. Position the tank gasket on the lock nut & position the tank on the toilet bowl. Fasten the tank to the toilet bowl using tank bolts.
NOTE: tighten bolts simultaneously.

Dual Push Button



1. Unscrew the lock nut from the push button by hand. Insert the push button body into the tank cover hole from outside of tank cover. Screw the lock nut into the thread of the push button from the inside of the tank cover. (Keep it loose)

2. Adjust the push button to assure their poles are in the correct direction with the flush valve switch. Then tighten the lock nut.

3. Loosen the small nuts & adjust the button poles to the suitable length. If needed cut the button poles to adjust length.

These instructions and drawings disclose confidential and other data of proprietary nature owned by Renovator's Supply Inc.© and may not be used or disclosed to others without the prior written consent of Renovator's Supply Inc.©