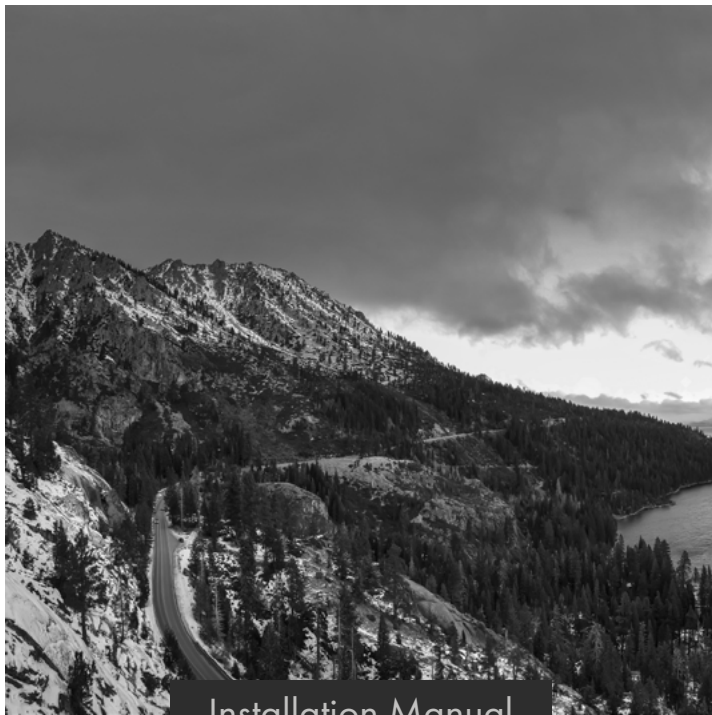


# ZLINE

ATTAINABLE LUXURY<sup>®</sup>



Installation Manual

## **BUILT-IN REFRIGERATION 60" RBIV MODELS**

[www.zlinekitchen.com](http://www.zlinekitchen.com)



ZLINE Kitchen and Bath provides Attainable Luxury, where the kitchen and bath of your dreams is never out of reach. Through our unique designs and unparalleled quality, we're dedicated to providing you an elevated experience in the heart of your home. With an endless selection of features and finishes, our inspiration is your reality.

**ZLINE**  
ATTAINABLE LUXURY®



ZLINE is fueled by a passion for innovation; A relentless pursuit of bringing the highest end luxury designs and professional features into everyone's homes.

Because we continually strive to improve our products, we may change specifications and designs without prior notice.

**Scan the QR code to view the most up-to-date version of the Installation Manual and User Manual.**

**⚠ WARNING:** This product can expose you to chemicals including nickel, which is known to the State of California to cause cancer. For more information, go to [www.P65Warnings.ca.gov](http://www.P65Warnings.ca.gov).

# TABLE OF CONTENTS

IMPORTANT SAFETY INSTRUCTIONS.....	1
BEFORE INSTALLATION.....	6
INSTALLATION.....	10
WARRANTY.....	20

# IMPORTANT SAFETY INSTRUCTIONS

## PLEASE READ THIS MANUAL BEFORE INSTALLING AND USING THE PRODUCT

- Please note that the installation process for your dual built-in refrigerator requires combining two RBIV-30 model refrigerators to create one RBIV-60 unit.
- Always follow allow applicable safety instructions in this manual as well as the manuals for ZLINE's built-in refrigeration models (RBIV-30 and RBIV-36).
- **IMPORTANT:** This is a complex installation procedure that should only be performed by qualified professionals and technicians.
- The manufacturer will not be responsible for any damage to property or to persons caused by incorrect installation, improper use of the appliance, or failure to heed the warnings listed.



WARNING

**R600a Refrigerant:** This product contains R600a isobutane refrigerant, which is a very eco-friendly natural gas. However, it is also flammable. Please follow the warnings and installation instructions below.

- If the products have been transported horizontally, you must wait a minimum of 4 hours after standing them upright before plugging it in.
- Cut-out dimensions of the installation area must be suitable to safely fit the product for full installation.
- Dimensions, features, and position of objects used to support and affix the product to this area must be suitable.
- Minimum clearances between product parts and surrounding structures must be suitable; minimum dimensions and proper organization of ventilation holes must be observed.
- The product must be connected to the main power outlet, and corresponding connections of other components must be suitable.
- The product must be able to be disconnected from the power supply if needed after installation; the outlet or fuse must be accessible to disconnect the product.
- Extension cables or ungrounded (two-terminal) adapters must not be used.



ATTENTION

You must wear gloves and eye protectors when installing the product. You must also take measures against high noise levels when using a drill to drill into the floor or wall.



ATTENTION

The product must be installed by a qualified technician according to the installation instructions.

# IMPORTANT SAFETY INSTRUCTIONS

## DISPOSING OF THE PACKAGING MATERIALS

- The package has been designed to protect the product during transport and shipping. The packaging materials used are designed to not harm the environment and should be recycled after the appliance is installed.
- All plastic packaging materials, bags, etc., must be disposed of safely and kept out of the reach of children.



This manual has been prepared to help qualified professionals with installation of the appliance. The Installation and User Manuals for ZLINE's built-in refrigeration models (RBIV-30 and RBIV-36) must also be taken into consideration, as they contain important information about operation and safety. You may get seriously injured and your products damaged if you ignore the warnings given in these manuals.



The products may tip over since they are quite heavy. For this reason, safety precautions must be taken. The doors must be kept closed until the combined product reaches the final install destination, and must be transported in accordance with the installation instructions.



Risk of child entrapment. To avoid safety and suffocation risks for children or pets, before you dispose of the appliance, take off the doors and drawers and leave the shelves in place so children or pets may not climb inside.

## COMPLIANCE WITH THE WEEE DIRECTIVE AND DISPOSING OF E-WASTE

- This product conforms to the EU WEEE Directive (2012/19 EU).
- This product bears a classification symbol for "waste electrical and electronic equipment," otherwise known as WEEE.
- This product has been manufactured from high-quality parts and materials that can be reused and are suitable for recycling.
- Therefore, do not dispose of the product with normal domestic waste or other waste at the end of its service life.
- Take it to a collection center for recycling electrical and electronic equipment.
- Please consult your local government authority to learn about appropriate collection center location.



# IMPORTANT SAFETY INSTRUCTIONS

## INSTALLATION ENCLOSURE REQUIREMENTS

- The floor on which the dual refrigerator will be installed must be capable of bearing a minimum of 2,400 lb (1,089 kg).
- The kitchen floor and bottom of the product must be level. Otherwise, air flow for the unit's cooling system may be impeded or reduced. Use a level to be sure.
- There must be no objects preventing installation of the product to the back and side walls of the product's cut-out installation area.
- Cut-out dimensions of the cabinets where the product will be installed must be in strict conformity with the dimensions given in the manual.
- Do not install the refrigerator directly adjacent to another refrigerator. Otherwise, condensation and damage may occur.
- The installation area must not be subjected to direct sunlight and it must be away from heat sources, such as microwaves, ovens, radiators, etc.
- The ambient temperature must be between 61 °F (16 °C) and 100 °F (38 °C), depending on where the unit is installed. Otherwise, function errors may occur when the product is running.
- If it is not possible to avoid installing the product near a heat source, the minimum clearances given below must be maintained:
  - 1 3/16" (30 mm) from electric ranges or ovens.
  - 12" (305 mm) from gas or fuel operated ranges or ovens.
- The dedicated circuit breaker for this unit must be easily accessible in case of an emergency; it must not be hidden behind the product.
- The electrical plugs and cords must not touch the back surface of the product. Otherwise, they may get damaged due to the vibration of the product.
- If the humidity level is high where the product is used, corrosion may occur on the outer surface of the product. Keep the area where the unit will be installed dry and well-cleaned to avoid corrosion.

# IMPORTANT SAFETY INSTRUCTIONS



ATTENTION

Failure to follow these instructions may result in death, fire, or electric shock. Connecting the grounding conductor of the equipment to an improper place may lead to electric shock. Please have the grounding checked by a qualified electrician or service technician.

Installation, repair, and other procedures performed by unqualified persons may cause danger. Before installing the appliance, make sure that the voltage, load, and circuit current parameters on the data plate are in compliance with the power mains in your house.

If the electrical wiring or power supply of the house needs alteration, the necessary procedures must be performed by a qualified electrician. The plugs must be installed only by a licensed electrician.

## CABINETS

Make sure that the cabinets where you will install the appliance have been safely mounted in your kitchen. Your cabinets must be securely connected to the floor and walls properly and with suitable connections.

For the best installation, clearances between cabinets and the product must be in compliance with the values specified in this manual and in the Installation Manual for ZLINE's built-in refrigeration models (RBIV-30 and RBIV-36).

Side walls must be free of any obstructions and their surfaces must be flat.

**NOTE:** Minimum thickness of the side walls is 5/8" (16 mm). The minimum thickness of the doors to be attached to the product must be 3/4" (19 mm).

## VENTILATION

Ventilation panels where the air enters and exits the unit must not be blocked or obstructed. In addition, you must periodically clean the dust and dirt that accumulates on the vent holes to ensure adequate ventilation.



# IMPORTANT SAFETY INSTRUCTIONS



The installation process for your dual built-in refrigerator requires combining two RBIV-30 model refrigerators to create one RBIV-60 unit. Scan the QR code to access the Installation Manual for ZLINE's built-in refrigeration models (RBIV-30 and RBIV-36).

## ELECTRICAL CONNECTION

- Never use an extension cable or cord with this unit.
- The dedicated electrical outlet receptacle(s) for this unit must be grounded and checked by an authorized electrician.
- The location of the electrical wiring must comply with the dimensions specified in this Installation Manual.



CAUTION

### RISK OF ELECTRIC SHOCK

Electrical grounding is necessary. This appliance is equipped with two 3-pin plugs to protect you against possible electric shocks.

- Do not remove the round grounding terminal from the plugs.
- Do not use 2-pin grounding adapters.
- Do not use extension cables or cords to energize the product.



ATTENTION

Do not connect the grounding cable to any gas pipes. Please have the grounding checked by a qualified electrician if you are not sure about the grounding of the product. Do not install a fuse on the neutral line or grounding circuit.



WARNING

Please wait 3-6 hours after installing the unit before plugging it in to protect it against possible damages. This way, the refrigerant and the lubricants in the system are given proper time to balance.

## WATER CONNECTION

- The pressure of the main water supply must be in compliance with the values specified in this manual, and the location of the water system must comply with the dimensions specified in this manual.



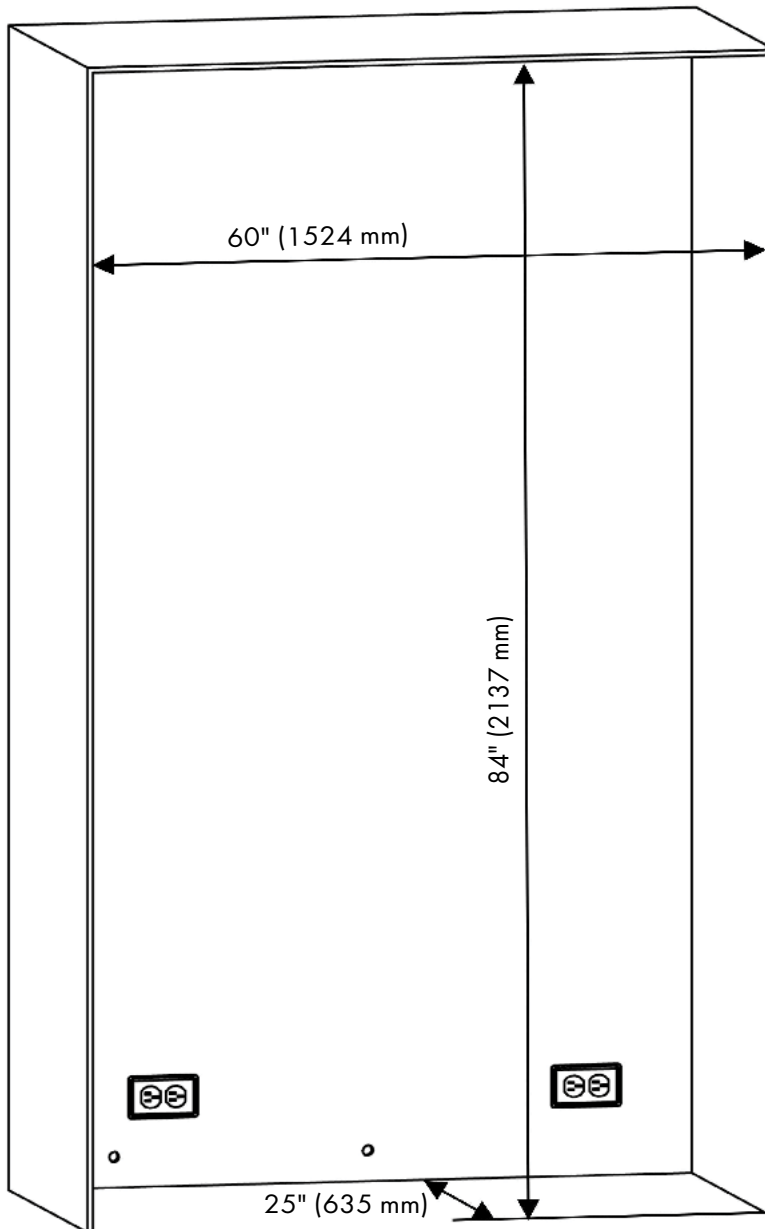
INFO

A bypass is recommended for the water filtering system if a reverse osmosis system is used.

# BEFORE INSTALLATION

## CABINET DIMENSIONS

- Much like ZLINE's RBIV-30 and RBIV-36 built-in refrigerators, the RBIV-60 model is a panel-ready appliance designed to be a permanent fixture in your custom kitchen; therefore, precise cabinet cutouts and superior attention to detail are required for seamless integration.
- Since all kitchen layouts vary, the recommended dimensions below must be checked by a qualified professional before starting installation.



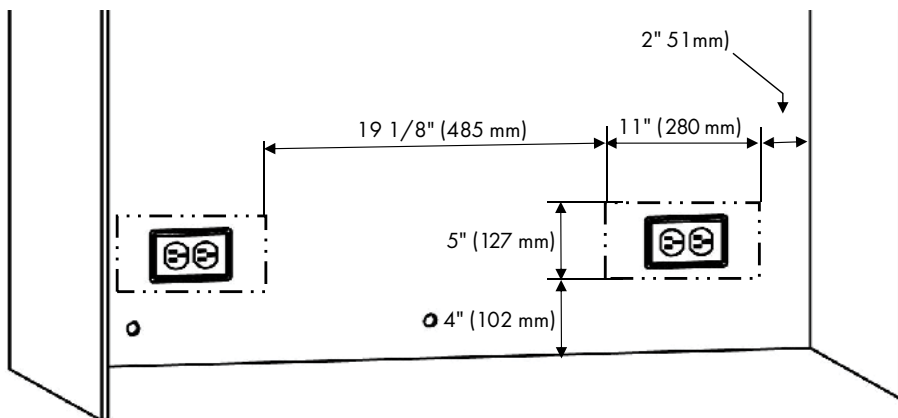
# BEFORE INSTALLATION

## RBIV-60 ELECTRICAL AND WATER REQUIREMENTS

- Each RBIV-30 appliance is provided with a NEMA 5-15P plug and a 3-pin power cable designed to be connected to a 120VAC, 60Hz power receptacle.
- Therefore, we recommend both RBIV-30 units be plugged into independent circuits. They can be plugged into the same outlet, but please note the circuit must have a dedicated 15-amp breaker that is not shared with any other appliance to avoid exceeding the combined power requirements.
- From a water standpoint, while both RBIV-30 units also come with their own water supply, a qualified technician can easily tee off the water supply to provide water to both units if the customer desires.
- Refer to the diagrams below and on the following page, and please refer to your RBIV-30 Installation Manual for additional information for electrical and water requirements and other installation needs.

## ELECTRICAL LOCATION

- Location of electrical wiring must be within the range given below.
- Using an outlet with a ground fault circuit interrupter (GFCI) is not recommended.



Do not use extension cables or two-pin adapters and do not remove the ground terminal of the grounding cable.



A qualified electrician must ensure that the poles of the socket are connected correctly and that the appliance is properly grounded.

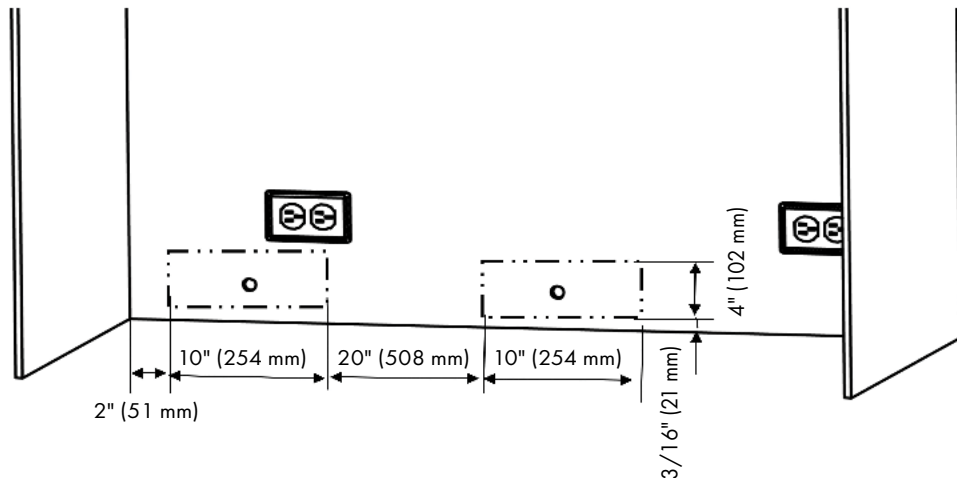
# BEFORE INSTALLATION

## WATER SYSTEM LOCATION

- The water connected to the dual refrigeration unit must be potable.
- Location of the water system must be within the range outlined in the graphic at the bottom of this page.
- The unit's water system must be connected to the main water system in the house. The user must be able to switch the water system on/off with a valve when necessary.
- Objects that might pierce the water hoses or cause them to twist must not be present where the water line is installed.
- Pressure of the water system must be between 25-80 psi (1.7-5.5 Bar).
- If the water pressure exceeds 80 psi (5.5 Bar), install a pressure-limiting device or water pressure protector to the inlet valve. Never install or operate the appliance if it's possible for the water pressure to exceed 120 (8.3 Bar) psi.

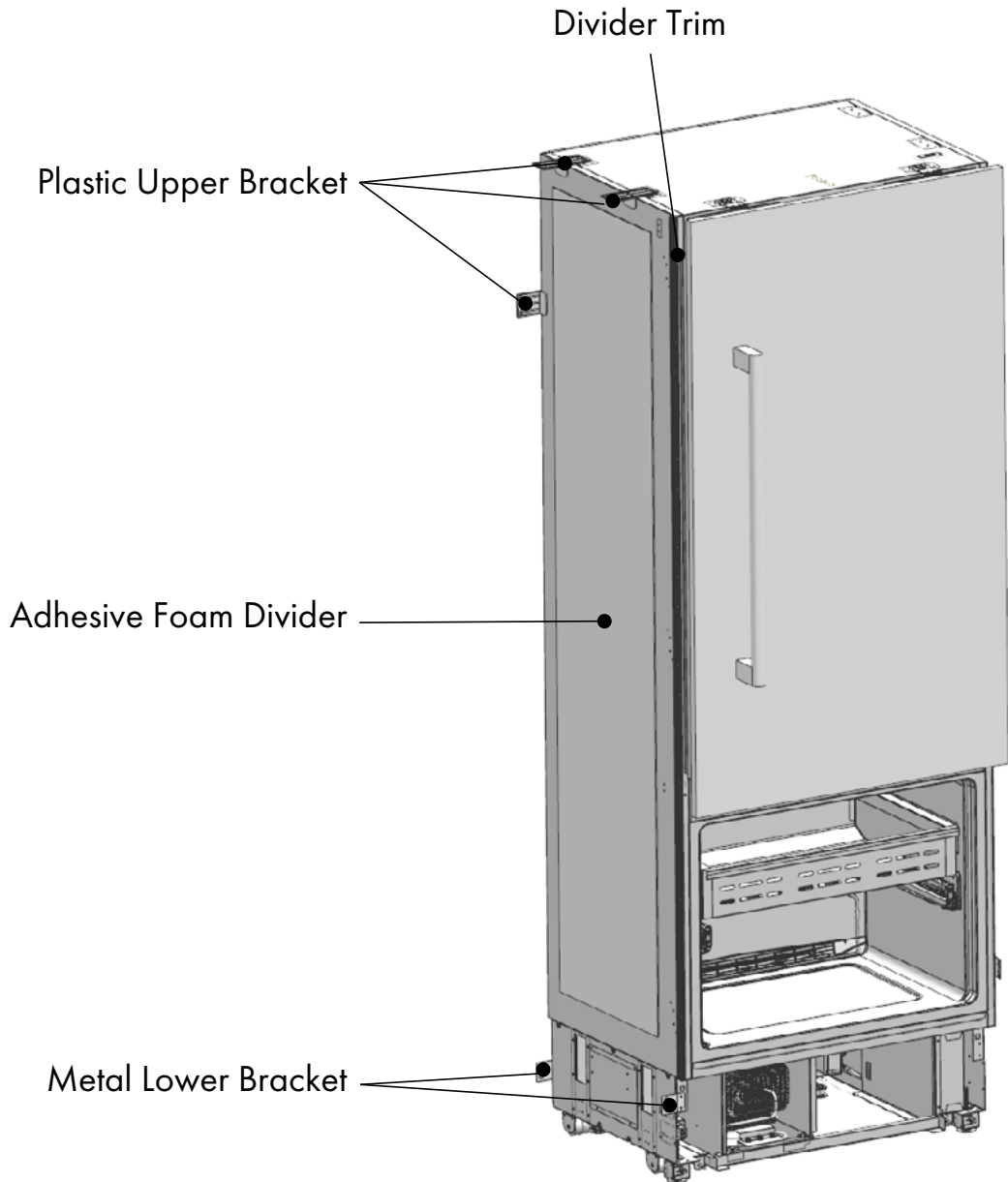


- Make sure there is no leakage when making water connections. Otherwise, there will be water on the floor and the cabinets may get damaged.
- You will need a hose with a minimum length of 60" (1524 mm) and a diameter of 1/4" (6 mm) for water connections of the product during installation.
- A connector that has a thread with an external diameter of 1/4" (6 mm) must be used to connect the hose end to the product.
- Before completing installation, make sure water flows and there is no leakage. Damage may occur if leaks are present.








# BEFORE INSTALLATION

## DUAL INSTALLATION COMPONENTS



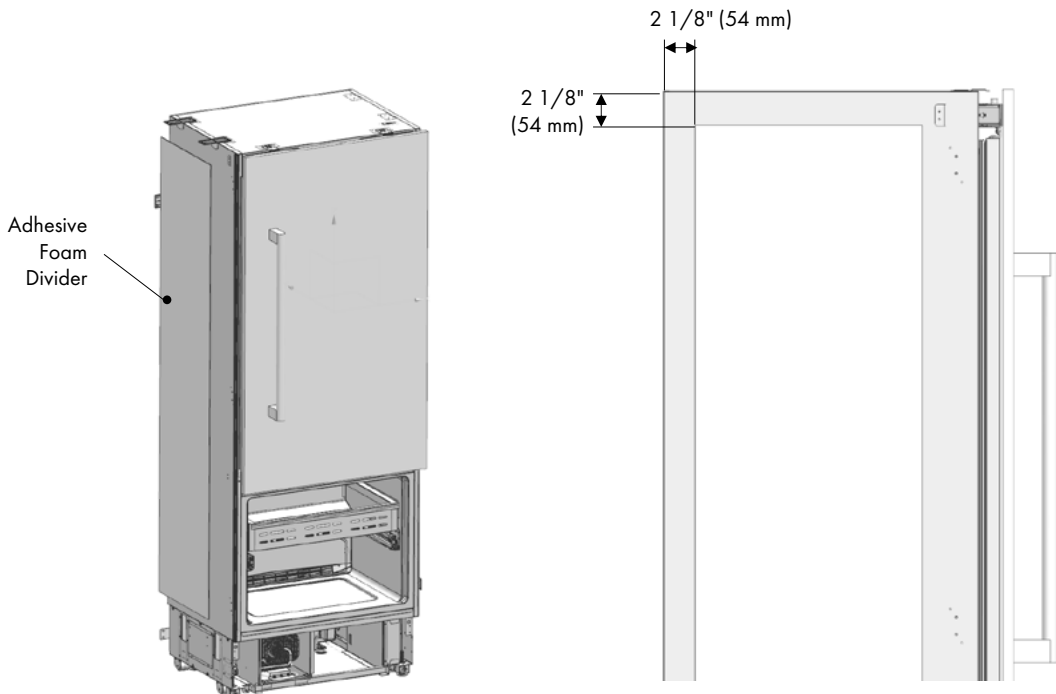
# INSTALLATION

## PARTS PROVIDED

PART	IMAGE	DESCRIPTION	QTY
1. Adhesive Foam Divider		1/8" x 15 3/4" x 68 7/8" (3 mm x 400 mm x 1749 mm)	1
2. Plastic Mounting Bracket		1/8" x 2" x 4 1/2" (3 mm x 51 mm x 114 mm)	3
3. Metal Mounting Bracket		1/16" x 1 5/8" x 2 1/4" (1.5 mm x 41 mm x 57 mm)	2
4. Screws		Phillips head	20
5. Center Divider Trim		73 3/4" long (1873 mm long)	1

## ATTACH THE ADHESIVE FOAM DIVIDER

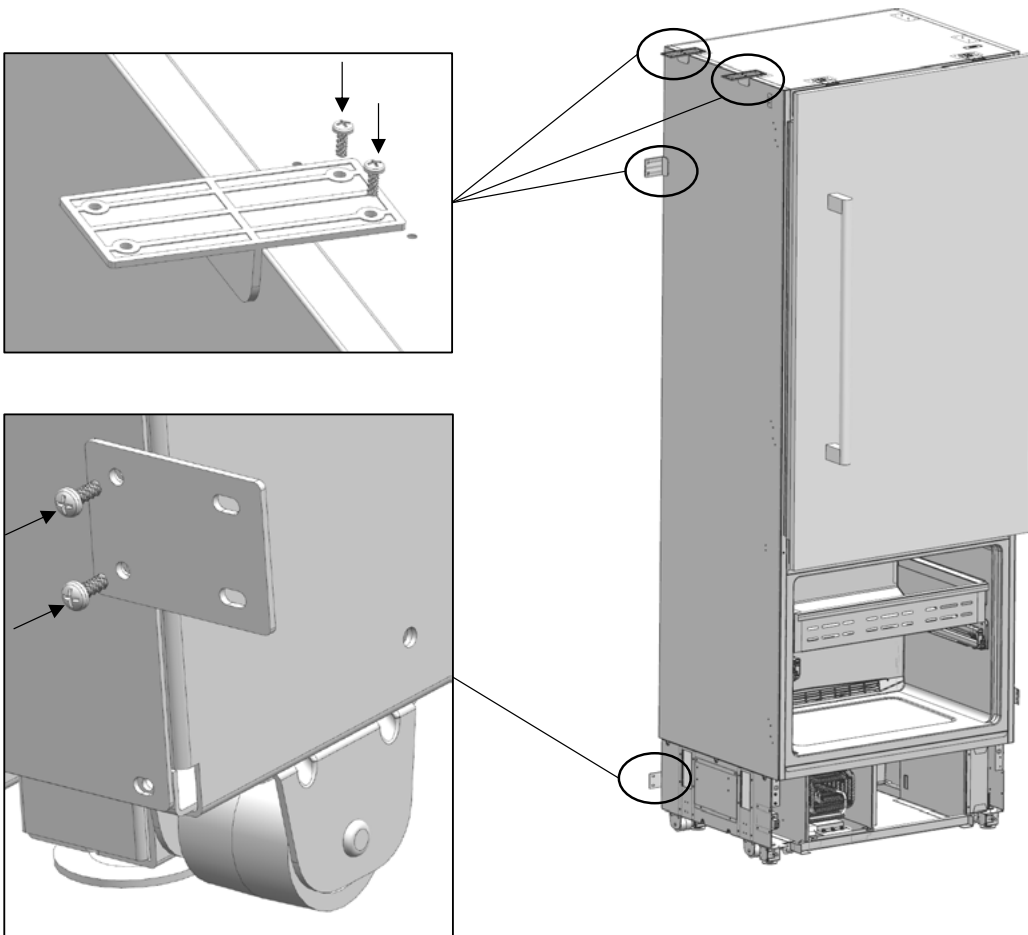
1. Approach the refrigerators from behind and angle one of them out.
2. Measure 2 1/8" (54 mm) from the top and left corner of the side of the unit.
3. Using a level, ensure the adhesive foam divider (Item No. 1) remains parallel to the edge of the unit.
4. Peel the protective sticker off the divider and carefully press into place.



# INSTALLATION

## MOUNT UPPER BRACKETS AND LOWER BACK BRACKET TO CONNECT THE REFRIGERATORS

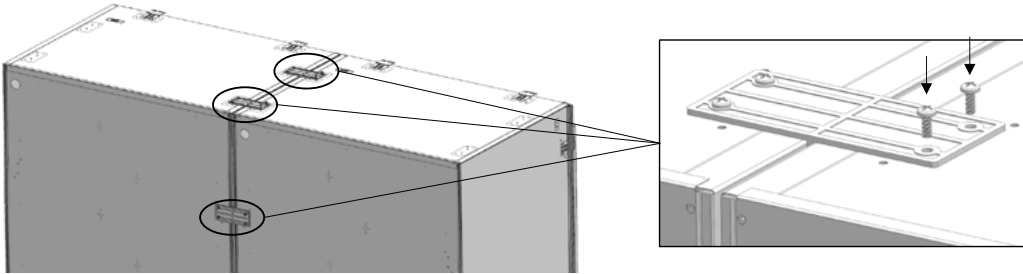
1. On the back of one unit near the top, find the location for one plastic mounting bracket (Item No. 2) and fasten into place with two screws (Item No. 4), ensuring the small arm is pointed in.
2. Move to the top of the unit to install the other two plastic mounting brackets (Item No. 2) with two screws (Item No. 4).
3. At the back base of the unit, install one metal mounting bracket (Item No. 3) by unscrewing the two existing screws, sliding into place and re-screwing both screws. Unscrew the same two screws on the other unit and set aside for later.



# INSTALLATION

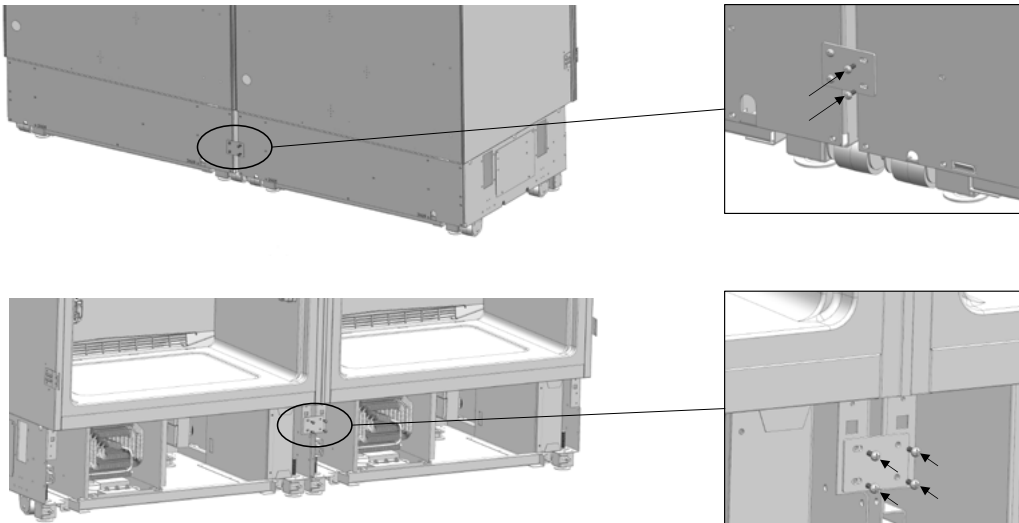
## CONNECT UPPER BRACKETS TO CONNECT THE REFRIGERATORS

1. Realign both refrigerators so they are flush and line up with the opening where they will be installed.
2. Finish installing the plastic mounting bracket on the back with the other two screws to connect both units. Do the same with both brackets on top.



## CONNECT LOWER BRACKETS TO CONNECT THE REFRIGERATORS

1. At the back base of the unit, finish installing the metal lower bracket by screwing in the two screws set aside earlier.
2. Install the second metal lower bracket on the front base of both units using the remaining four screws.

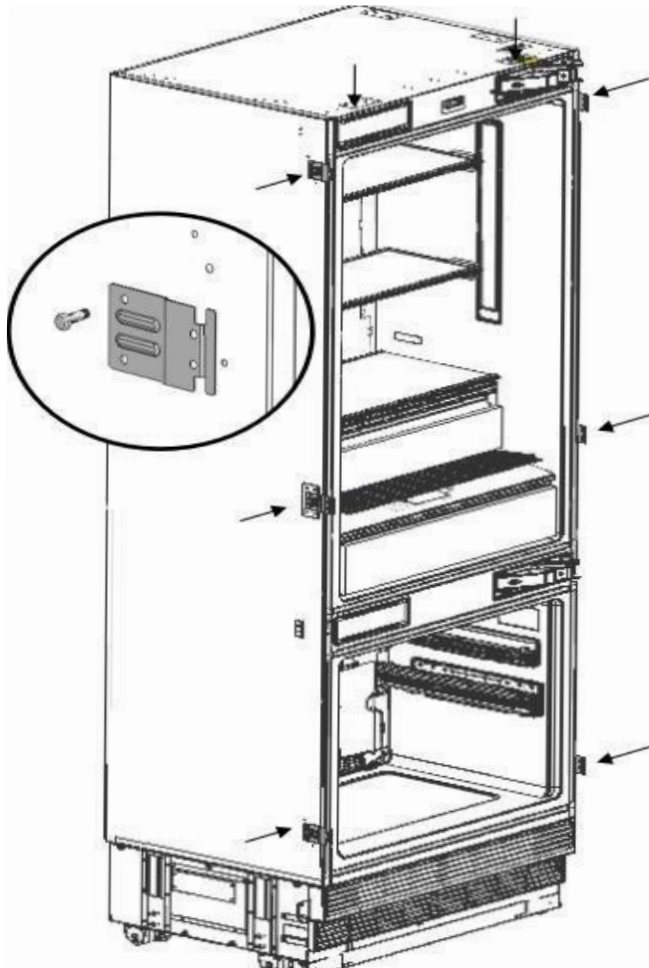




# INSTALLATION

## ATTACHING THE CABINET MOUNTING BRACKETS

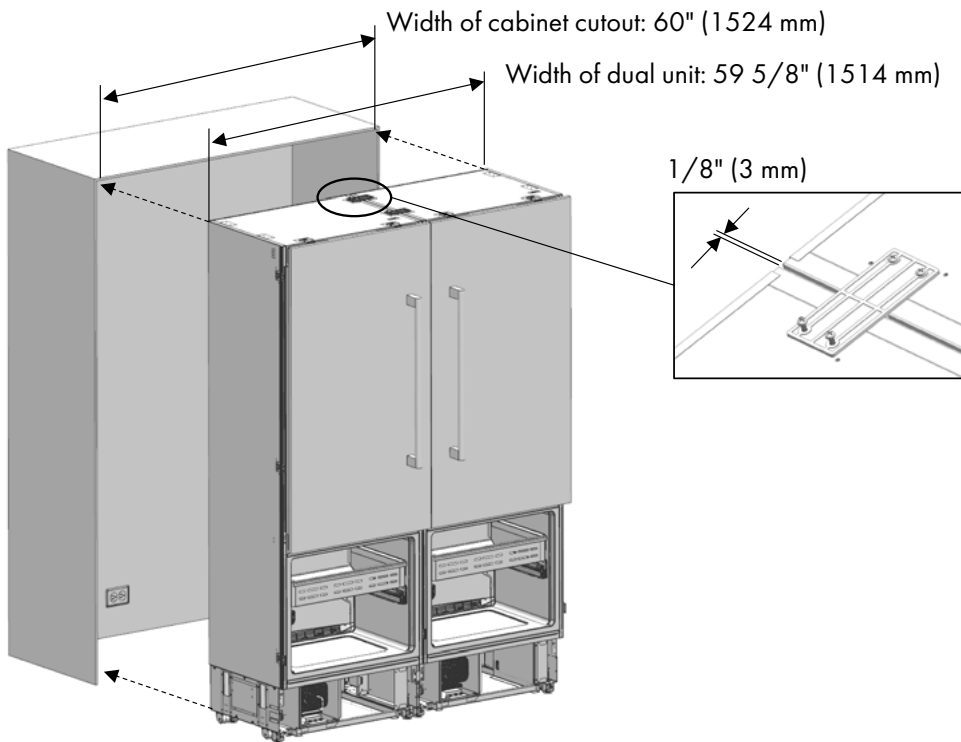
- With both units connected, you need to install cabinet mounting brackets provided with your RBIV-30 parts kit before you can push the dual unit into place.
- Three cabinet mounting brackets go on the outer left and right sides of the dual RBIV-60 unit, while four total brackets go on top of the dual unit — two on each RBIV-30.
- Using a screwdriver or drill with a Phillips-head bit, fasten 20 screws provided with the RBIV-30 parts kit to secure all 10 cabinet mounting brackets to the dual unit.
- **NOTE:** The image below is detailed in the RBIV-30 Installation Manual and shows how you would install a single RBIV unit — three brackets on each side and two on top. Since you're installing a dual unit into one cabinet cutout, there is no need for cabinet mounting brackets to be installed in the middle of both units.



# INSTALLATION

## PUSH INTO PLACE

1. Before pushing into place, install the necessary power and water connections and anti-tip brackets (refer to your RBIV-30 Installation Manual).
2. Uninstall the door on the left unit and re-orientate the inside drawers and hinges so the handle to the door pulls out to the left — opposite of the door on the right unit — then reinstall the door (refer to your RBIV-30 Installation Manual).
3. Carefully push the dual unit into the cabinet and ensure there is a  $1/8"$  (3 mm) gap on either side.



RBIV-30 refrigerators are top-heavy and weigh 342 lb (155 kg). The dual unit weighs close to 700 lb (318 kg). Take care when installing the product; two-person assembly is highly recommended.

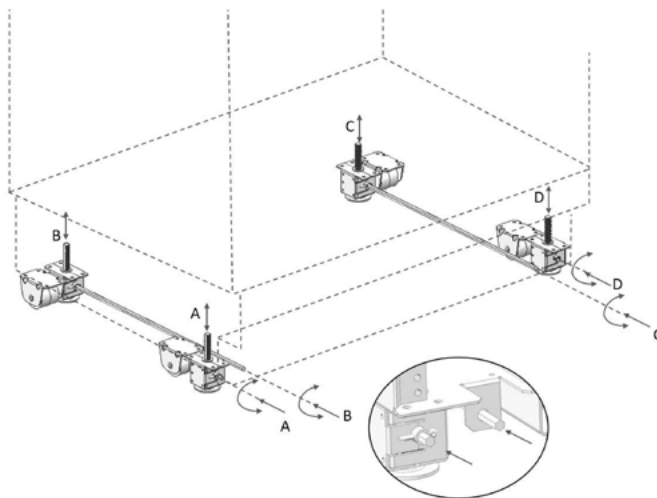
# INSTALLATION

## ADJUSTING THE REFRIGERATOR HEIGHT

- With the dual unit now pushed into the cabinet, the feet need to be raised in order to secure the product to the anti-tip brackets.
- You may use a drill with a 1/4" hex bit or a socket wrench to adjust leg height; we recommend using a socket wrench by hand to avoid the risk of stripping the legs.
- Do not use an impact drill to adjust the feet; doing so may cause damage.



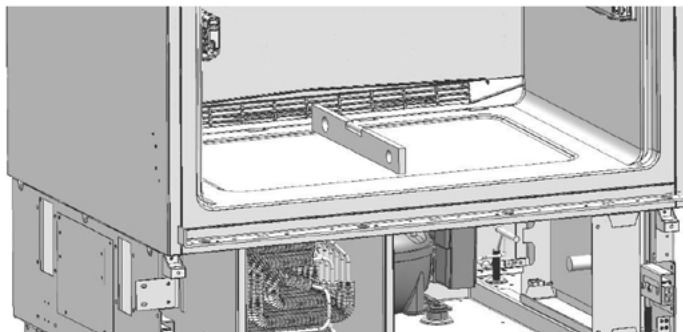
It's important to raise the front feet first to reduce risk of the appliance falling forward, which would increase the risk of injury.



A/D — Turn the key clockwise to lift the front

B/C — Turn the key clockwise to lift the rear

- After adjusting the feet, check if both RBIV-30 units are level in both width and depth directions. You may readjust as needed after panels are installed.

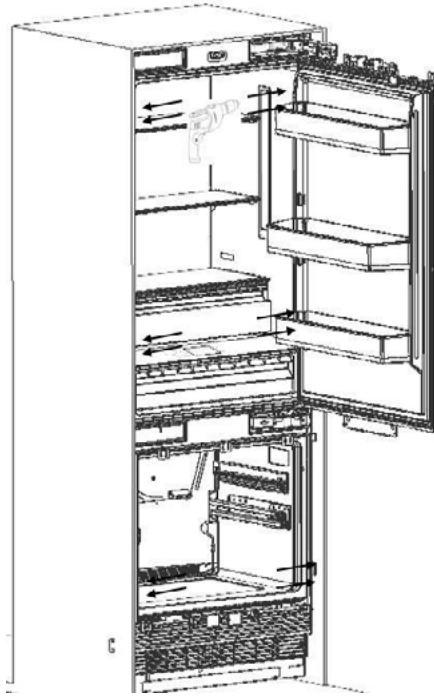


- The maximum height the adjustable feet can reach is 1 9/16" (40 mm), and the maximum product height is 85 3/8" (2169 mm).

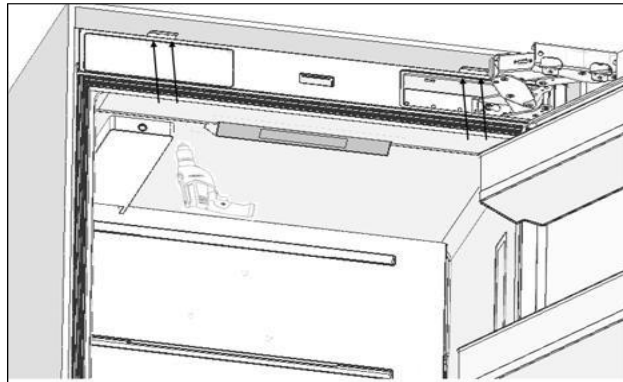
# INSTALLATION

## SECURING THE DUAL UNIT INTO THE CABINET CUTOUT

- With the dual unit now pushed into the cabinet and perfectly level, you can finalize flush installation by securing the cabinet mounting brackets installed on page 13.
- If you have difficulty tightening the screws, opening a reference hole with a drill will make this procedure easier, as shown in the images below.



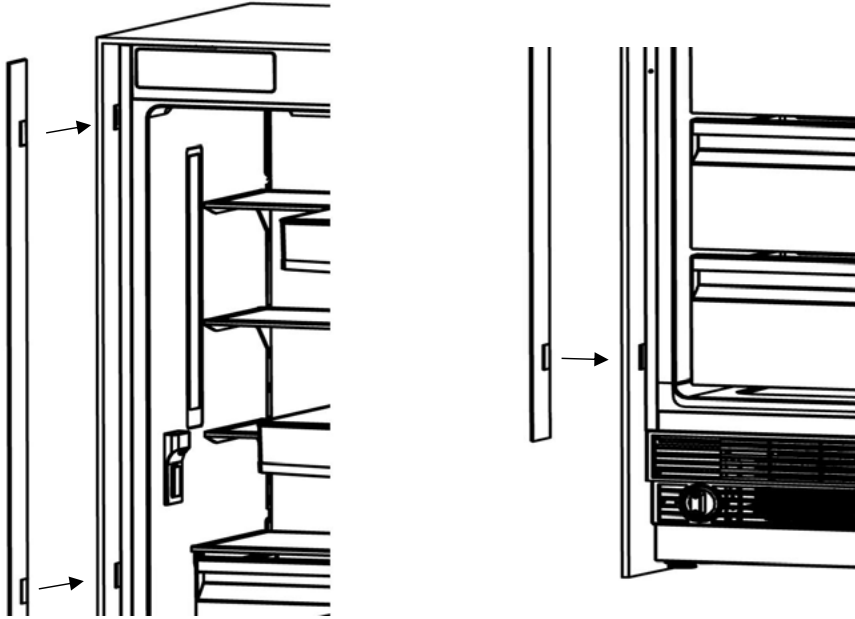
- Using the remaining cabinet mounting bracket screws provided with your RBIV-30 parts kit, secure the right unit to the cabinet — 4 screws on top and 6 on each side.
- After the right unit is secured into the cabinet, secure the left unit into the cabinet in the same manner — 4 screws on top and 6 on each side.



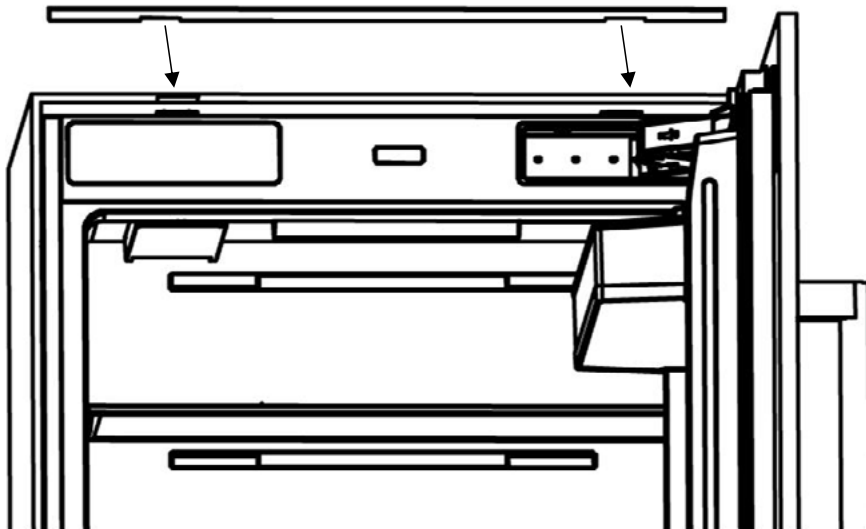
# INSTALLATION

## ATTACHING THE TRIM PIECES

- Attach the side trim pieces provided with the RBIV-30 parts kit onto the outer sides of each unit, covering the cabinet mounting brackets as shown below.



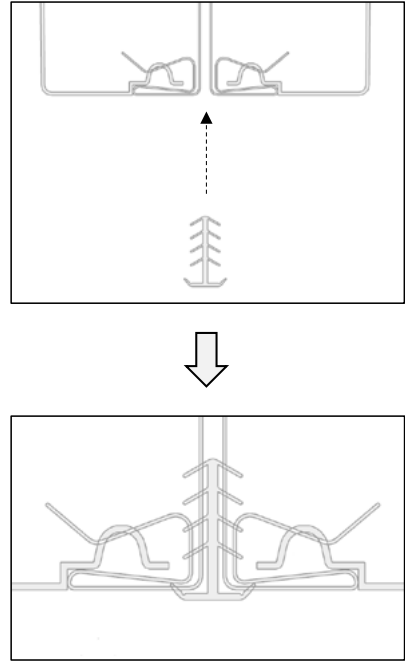
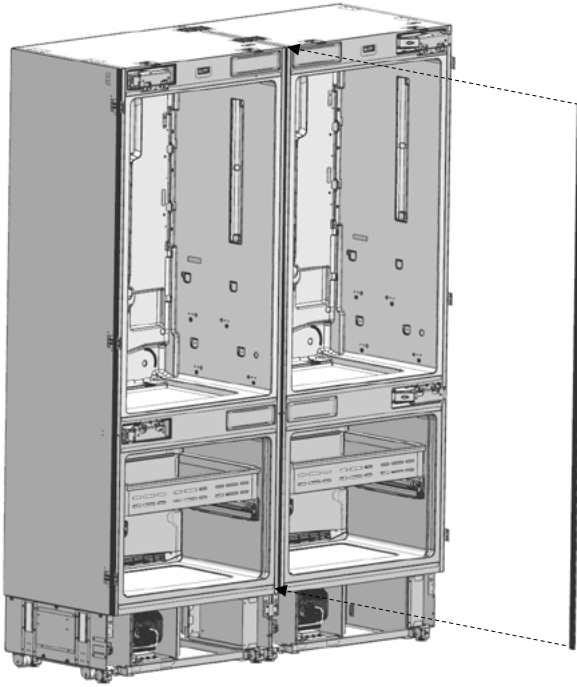
- Attach the top trim pieces provided with the RBIV-30 parts kit onto the tops of both units, covering the cabinet mounting brackets as shown below.



# INSTALLATION

## INSTALL DIVIDER TRIM

- After ensuring both units are flush and everything is level, insert the center divider trim (Item No. 5 in the dual unit parts list) between both units and lightly pound into place with the back of your fist.



# INSTALLATION

## INSTALLATION COMPLETE

- **IMPORTANT:** Refer to your RBIV-30 Installation Manual as needed for other installation procedures.



Scan the QR code to view the most up-to-date version of our RBIV-30 / RBIV-36 Installation Manual and User Manual.

# WARRANTY

## COVERAGE

ZLINE Kitchen and Bath ("ZLINE") built-in refrigerators have a two year parts and service warranty and a five year parts warranty on the unit's sealed cooling system.

ZLINE warranty periods begin from the original purchase date of the product and solely cover the original purchaser of the product, delivered new and in its original carton. The limited warranty covers all parts and labor for necessary repairs if any part of the product, or the product itself, proves to be defective in materials or workmanship.

The product must be deemed serviceable via troubleshooting with the ZLINE Customer Experience team. All service on ZLINE products under warranty must be performed by ZLINE-approved and ZLINE-certified service providers unless otherwise specified by ZLINE. Service will be provided during normal business hours.

Products must be unobstructed and accessible to the service provider at the time of service. ZLINE's liability is limited to the original purchase price of the product. Additional injuries, losses, damages, or other inconveniences caused by product malfunction or defects in materials are not covered under the terms of this warranty.

## TERMS

ZLINE warranties apply only to the original purchaser of a ZLINE product installed for normal residential use. This is defined as a single-family, residential dwelling in a non-commercial setting. Any warranty claim stemming from installation, operation, or any other use within a commercial setting is not covered under this limited warranty. Commercial settings include, but are not limited to: schools, churches, hotels, restaurants, vacation rentals such as Airbnb, daycare centers, private clubs, fire stations, common areas in multi-family dwellings, nursing homes, food service locations, and institutional food service locations such as hospitals or correctional facilities.

This warranty is non-transferable and will not under any circumstance be extended based on the date of installation — the warranty period takes effect from the date of purchase and only covers the original purchaser. The warranty applies only to products installed in the contiguous United States and the District of Columbia.



# WARRANTY

Failure to secure certified warranty service per these terms will result in a forfeiture of the remaining warranty. Out-of-pocket payments will not be reimbursed unless prior approval is received from ZLINE and/or ZLINE-certified service contract partners. Unapproved out-of-pocket payments for service will not be reimbursed. All warranty procedures must be followed to maintain warranty coverage.

If a product qualifies within the service window provided under these warranty terms, and ZLINE is unable to repair the product or a defective part of the product after a reasonable number of attempts, ZLINE reserves the right to offer to replace the defective part or the product or provide the original purchaser a full refund of the purchase price of the product (not including installation, removal, or other charges that were not included in the original purchase price).

The original purchaser of the product must provide the original proof of purchase, including the purchase date, when filing a claim to obtain replacement parts, service, or refunds. Additionally, the original purchaser of the product must provide the serial number of the product when filing a claim to obtain replacement parts, service, or refunds.

This warranty shall not apply to any ZLINE product in which the original factory serial number has been removed, altered, or cannot be readily determined for any reason. Further, ZLINE is not responsible for damage resulting from, but not limited to: shipment, delivery, or improper installation; negligence or improper maintenance, misuse, or abuse of the product; unauthorized alteration, modification, or tampering with the product; accident, fire, floods, pest infestations, pandemics, natural disasters, or any other unpreventable or unexplained acts of nature, commonly referred to as "acts of God"; flare-up fires or damages caused by improper electric supply, electrical line current, voltage, or power surges; and service to correct installation not in accordance with the instructions contained in ZLINE's product manuals and/or with local government codes.

In the event service is dispatched, and it is discovered that the reported issue is not covered under warranty based on the disclaimers above, the customer will be responsible for all service fees. Failure to pay these fees will result in the forfeiture of remaining warranty coverage.

# WARRANTY

Information contained within ZLINE's installation and user manuals, in addition to product information included on ZLINE's website and all related digital listings, do not cover every possible condition and situation that may occur during the installation or operation of ZLINE products.

ZLINE reserves the right to make changes at any time to its products when considered safe, necessary, and useful. Always check the ZLINE website for the most up-to-date version of its product manuals: [www.zlinekitchen.com/pages/manuals](http://www.zlinekitchen.com/pages/manuals).

Do not install or operate any ZLINE product if it has missing or broken parts or if it arrives damaged due to shipping. If ZLINE products arrive damaged, contact ZLINE Customer Experience at 1-614-777-5004 for help. Failure to report a damaged appliance prior to installation or operation may void the warranty.

ZLINE disclaims responsibility for damage or injury caused by improper installation or use of any of its products. ZLINE is under no obligation, by law or otherwise, to provide concessions, including repairs, prorates, rebates, discounts, or replacements, once the warranty has expired.



## SERIAL NUMBER LOCATION

The rating tag shows the model and serial number of your refrigerator. The product label and rating tag is located on the left-hand side of the inner door of the 30" refrigerator and on the left-hand side of the left-side door of the 36" model. On 60" models, the tag is located on the left-hand side of the inner left door. The tag is visible when the refrigerator door is open. Do not remove permanently affixed labels, warnings, or plates from the product. This will void the warranty.

# WARRANTY

Information contained within ZLINE's installation and user manuals, in addition to product information included on ZLINE's website and all related digital listings, do not cover every possible condition and situation that may occur during the installation or operation of ZLINE products.

ZLINE reserves the right to make changes at any time to its products when considered safe, necessary, and useful. Always check the ZLINE website for the most up-to-date version of its product manuals: [www.zlinekitchen.com/pages/manuals](http://www.zlinekitchen.com/pages/manuals).

Do not install or operate any ZLINE product if it has missing or broken parts or if it arrives damaged due to shipping. If ZLINE products arrive damaged, contact ZLINE Customer Experience at 1-614-777-5004 for help. Failure to report a damaged appliance prior to installation or operation may void the warranty.

ZLINE disclaims responsibility for damage or injury caused by improper installation or use of any of its products. ZLINE is under no obligation, by law or otherwise, to provide concessions, including repairs, prorates, rebates, discounts, or replacements, once the warranty has expired.

## SERIAL NUMBER LOCATION

The rating tag shows the model and serial number of your refrigerator. The product label and rating tag is located on the left-hand side of the inner door of the 30" refrigerator and on the left-hand side of the left-side door of the 36" model. On 60" models, the tag is located on the left-hand side of the inner left door. The tag is visible when the refrigerator door is open. Do not remove permanently affixed labels, warnings, or plates from the product. This will void the warranty.

1.3.1

1-614-777-5004

[www.zlinekitchen.com](http://www.zlinekitchen.com)

[contact@zlinekitchen.com](mailto:contact@zlinekitchen.com)

**ZLINE**  
ATTAINABLE LUXURY®