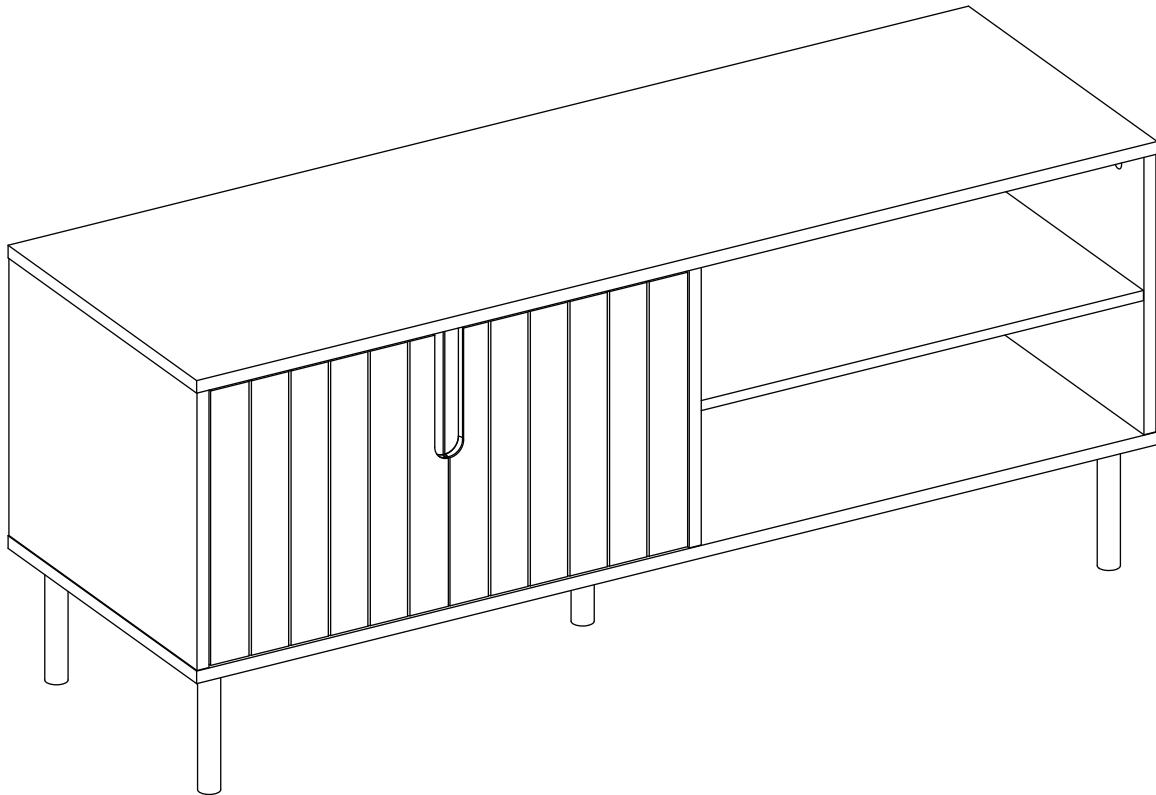


MARGO  
**MEDIA CONSOLE**

Item#: 64019



**ATTACH YOUR RECEIPT**

Keep a copy of your proof of purchase or order confirmation, which will be needed if you need to contact us about warranty coverage.

Purchase date: \_\_\_\_\_



**SAVE THESE INSTRUCTIONS FOR FUTURE REFERENCE.**



**Questions, problems, missing parts?**

Before returning to your retailer, our Florida-based customer service team is available:

Call toll-free

(866) 985-7877

9 am - 9 pm, EST

Email

[cservice@welltraveled.net](mailto:cservice@welltraveled.net)

Live Chat

[www.balkenehome.com](http://www.balkenehome.com)

9 am - 6 pm, EST, Monday - Friday



## BEFORE YOU BEGIN

Before beginning assembly, make sure all parts are present. Compare parts received with the "Parts List." If any part is missing or damaged, do NOT attempt to assemble the product. Please read and understand this entire manual before attempting to assemble this product. If you have any questions regarding the product, please contact Customer Service.

Call toll-free (866) 985-7877 9 am – 9 pm, EST  
Email [cservice@welltraveled.net](mailto:cservice@welltraveled.net)  
Live Chat [www.balkenehome.com](http://www.balkenehome.com) 9 am – 6 pm, EST, Monday – Friday



## GENERAL INFORMATION

This product is made of particle board and MDF. For safe assembly, work on a dry, soft, secure, and clean surface. Do not clean with detergents or chemicals. Do not sit or stand on the unit. Do not place damp or hot items such as coffee cups directly on the surface of this item. Keep away from direct sunlight and water. Do not drag the unit. For indoor use only.



## SAFETY INFORMATION

### WARNING

DO NOT sit or stand, or allow children to sit or stand on the assembled product. Make sure connectors are securely in place. Perform periodic checks to ensure the connectors remain secure and adjust if needed. Keep unassembled parts and hardware away from children and infants. This package contains small parts and sharp edges. Adult assembly required.

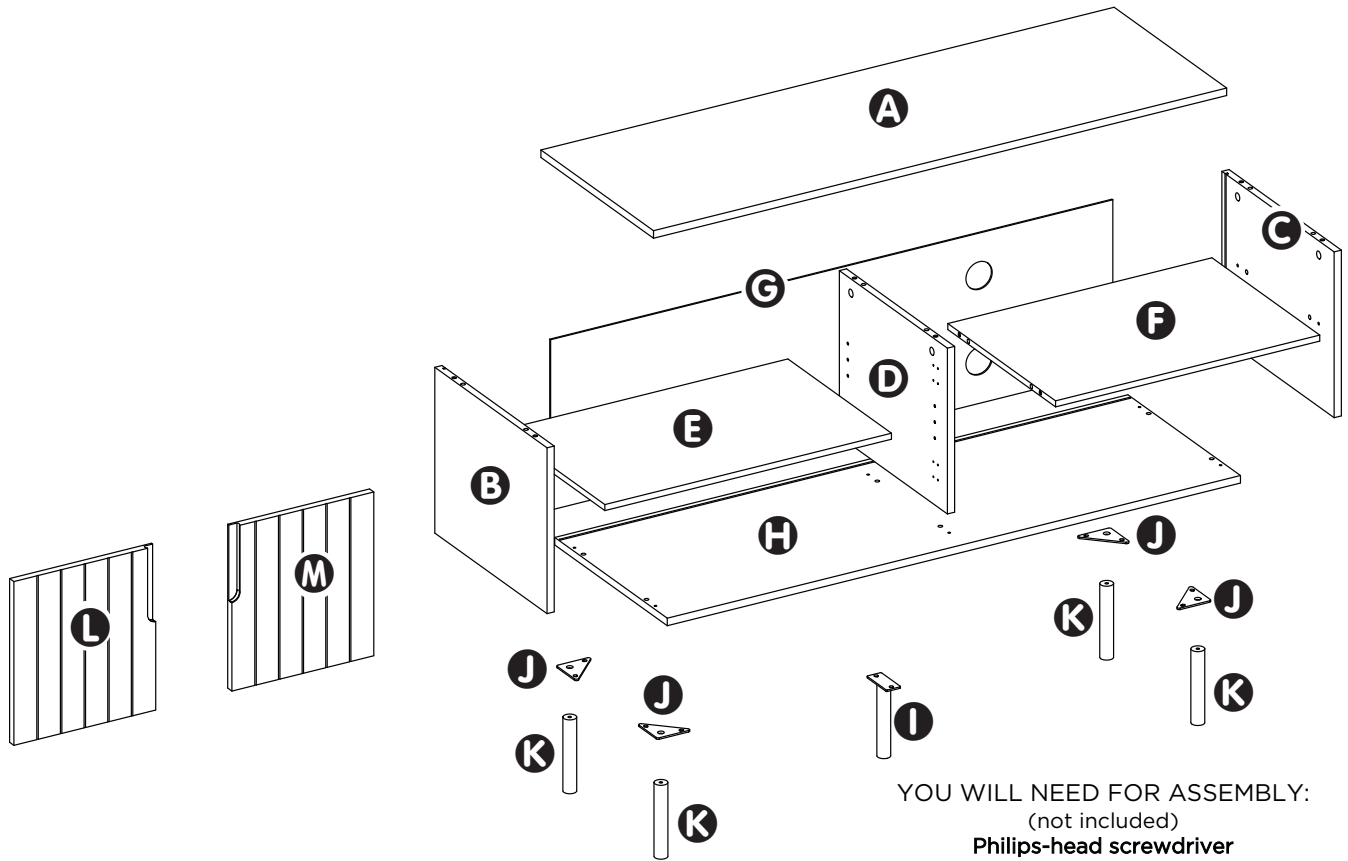
### CAUTION

READ all instructions before beginning assembly. Failure to do so may result in faulty assembly and potential injury. Assemble the item on a soft, nonabrasive surface such as carpet or cardboard to avoid damaging the item.

Max safe load limit:  
Top: 20 KG / 44 LB  
Interior Shelves: 10 KG / 22 LB  
Open Shelves: 8 KG / 17.5 LB

# PARTS LIST

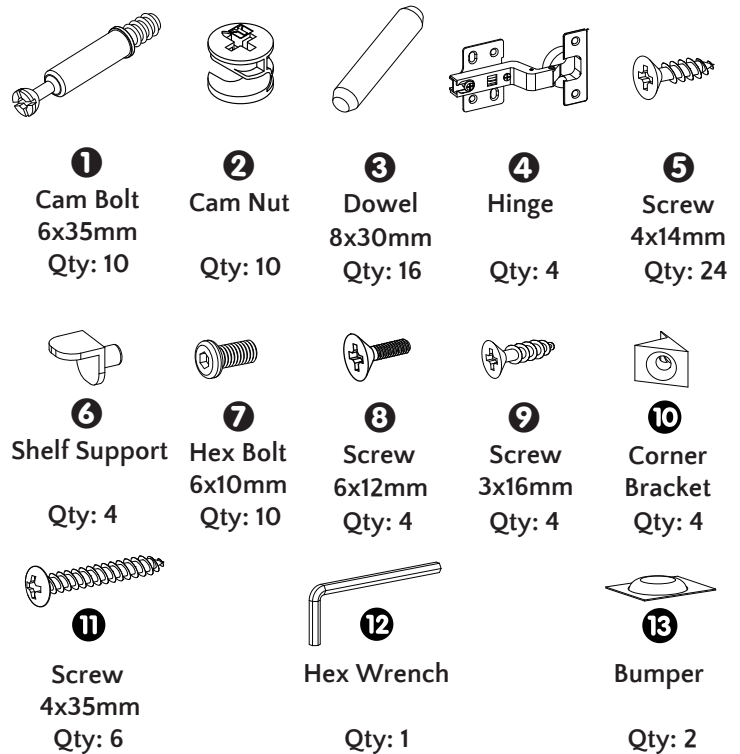
# BALKENE —HOME—



YOU WILL NEED FOR ASSEMBLY:  
(not included)  
Philips-head screwdriver  
Mallet or hammer

PART	DESCRIPTION	QTY
<b>A</b>	Top Panel	1
<b>B</b>	Left Panel	1
<b>C</b>	Right Panel	1
<b>D</b>	Center Divider	1
<b>E</b>	Adjustable Shelf	1
<b>F</b>	Fixed Shelf	1
<b>G</b>	Back	1
<b>H</b>	Bottom Panel	1
<b>I</b>	Center Leg	1
<b>J</b>	Leg Bracket	4
<b>K</b>	Corner Leg	4
<b>L</b>	Left Door	1
<b>M</b>	Right Door	1

## HARDWARE CONTENTS

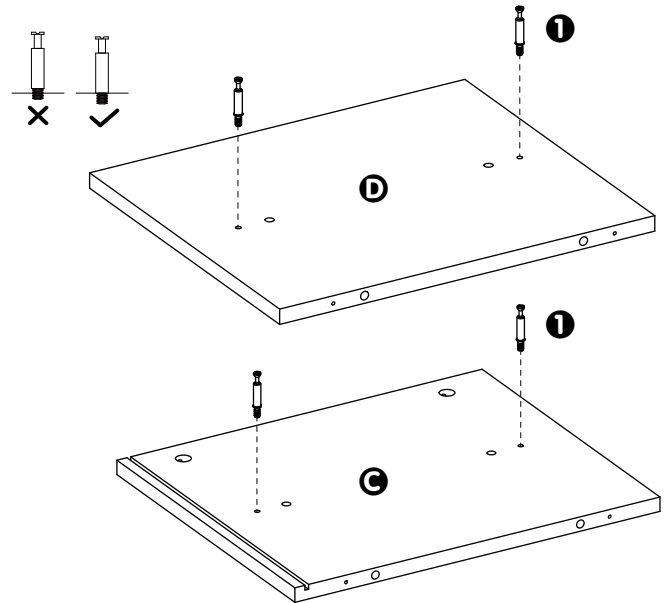


# ASSEMBLY

# BALKENE —HOME—

**1** Insert **Cam Bolts 1** into the indicated holes in the **Center Divider D** and **Right Side C**. Use a Phillips-head screwdriver to tighten the threads fully into the panels.

Hardware Required: **1** Cam Bolt x4

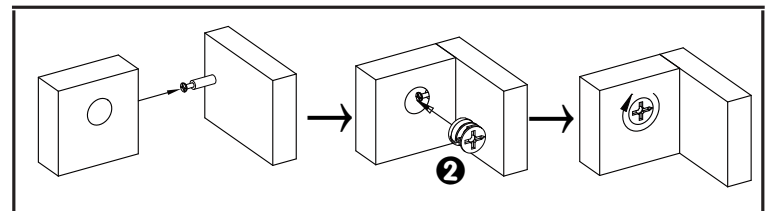
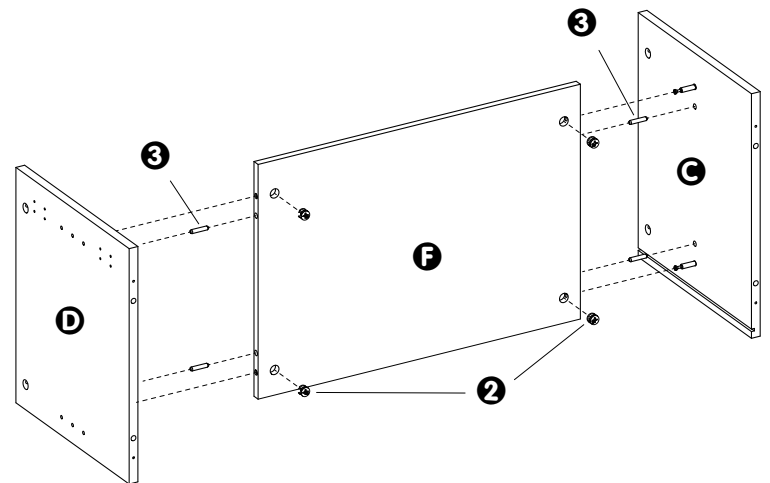


**2** Place **Dowels 3** in the 2 innermost holes in each short edge of the **Fixed Shelf F**.

Insert the **Cam Bolts 1** previously installed in the **Right Panel C** into the corresponding holes in the edge of the **Fixed Shelf F** as shown. Secure by inserting a **Cam Nut 2** into each of the adjoining holes in the underside of the **Fixed Shelf**. (HINT: the small arrow on the flat side of the **Cam Nut** should point toward the **Right Panel**.) Use a Phillips-head screwdriver to turn the **Cam Nuts** clockwise to secure the **Cam Bolts**.

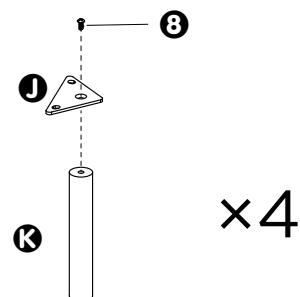
Attach the **Center Divider D** to the opposite side of the **Fixed Shelf F** using the same method.

Hardware Required: **2** Cam Nut x4  
**3** Dowel x4



**3** Prepare the **Corner Legs K** for installation by attaching a **Leg Bracket J** to the top of each **Leg** using a **Screw 8**.

Hardware Required: **8** Screw 6x12mm x4

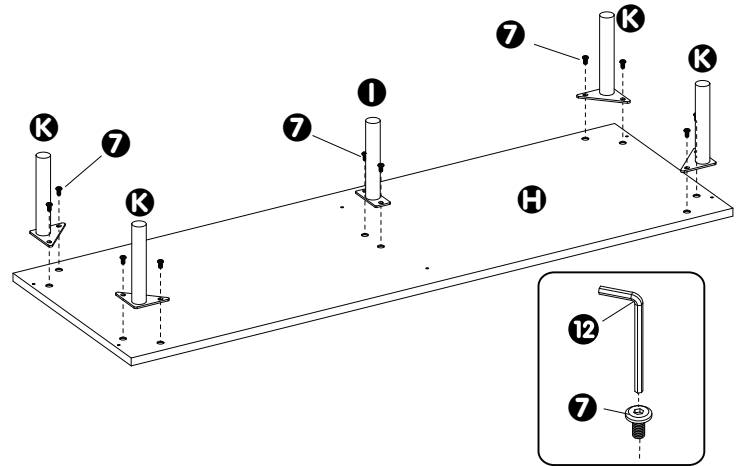


# ASSEMBLY

# BALKENE —HOME—

**4** Place the **Bottom Panel H** groove-side down. Align the triangular **Leg Bracket** of each **Corner Leg K** on the **Bottom Panel** as shown, then attach each **Leg** using 2 **Hex Bolts 7**. Attach the **Center Leg 1** to the middle of the **Bottom Panel** using 2 more **Hex Bolts**. Tighten all **Bolts** using the **Hex Wrench 12**.

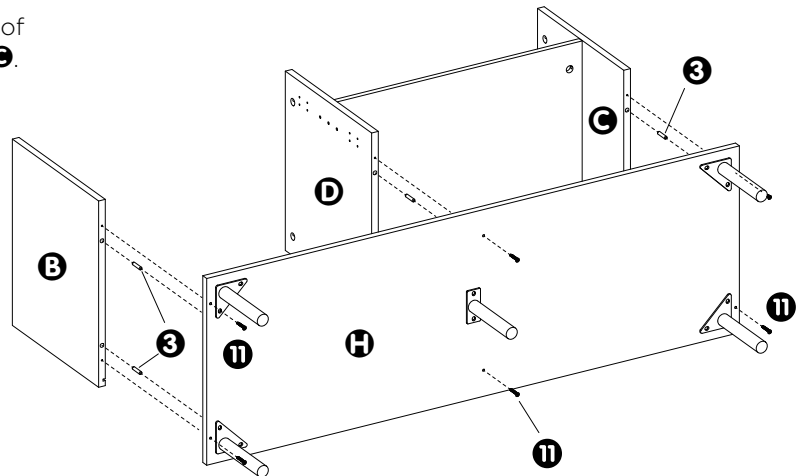
Hardware Required: **7** Hex Bolt x10  
**12** Hex Wrench



**5** Insert 2 **Dowels 3** per panel in the bottom edges of **Left Panel B**, **Center Divider D**, and **Right Panel G**.

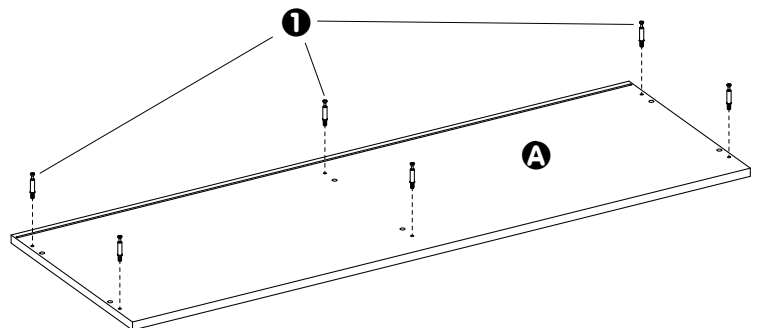
Insert the **Dowels** in the **Left Panel** into the holes along the left edge of the **Bottom Panel H**. Secure by inserting 2 **Screws 11** through the holes at the left side of the **Bottom Panel** and into the **Left Panel**. Tighten using a Philips-head screwdriver. Attach the assembled **Fixed Shelf** component to the **Bottom Panel** in the same manner, as shown.

Hardware Required: **3** Dowel x6  
**11** Screw (4x35mm) x6



**6** Insert a total of 6 **Cam Bolts 1** into the indicated holes in the underside of the **Top Panel A**. Use a Philips-head screwdriver to tighten the threads fully into the panels.

Hardware Required: **1** Cam Bolt x6



# ASSEMBLY

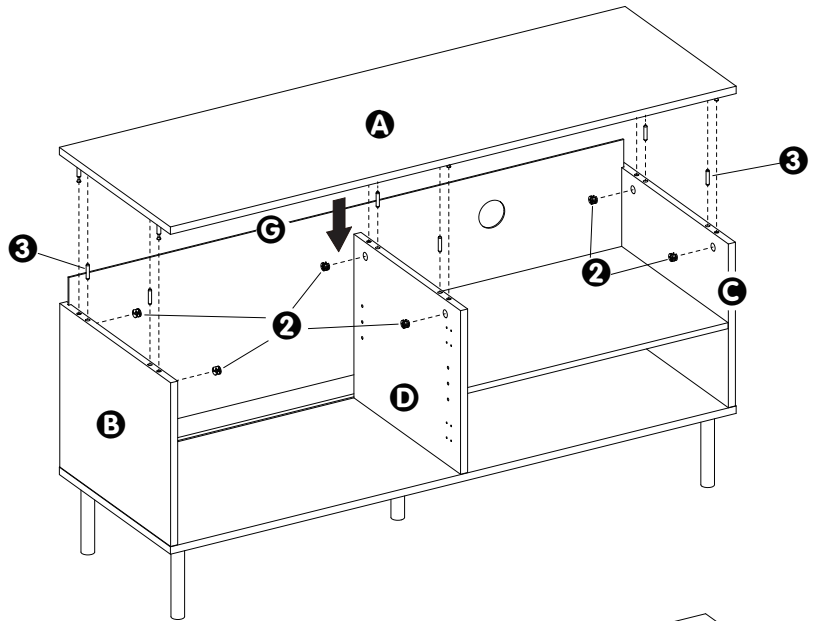
# BALKENE —HOME—

**7** Slide the **Back Panel** ⑥ into place in the groove along the rear of the unit. The holes should be positioned toward the right side of the console.

Insert 6 **Dowels** ③ in the top edges of the **Left Panel** ②, **Center Divider** ④, and **Right Panel** ⑤.

Lower the **Top Panel** ① into place by inserting the **Cam Bolts** ① into the top edges of the vertical panels. Secure by inserting a **Cam Nut** ② into each of the adjoining holes near the tops of the vertical panels. Use a Philips-head screwdriver to turn the **Cam Nuts** clockwise to secure the **Cam Bolts**.

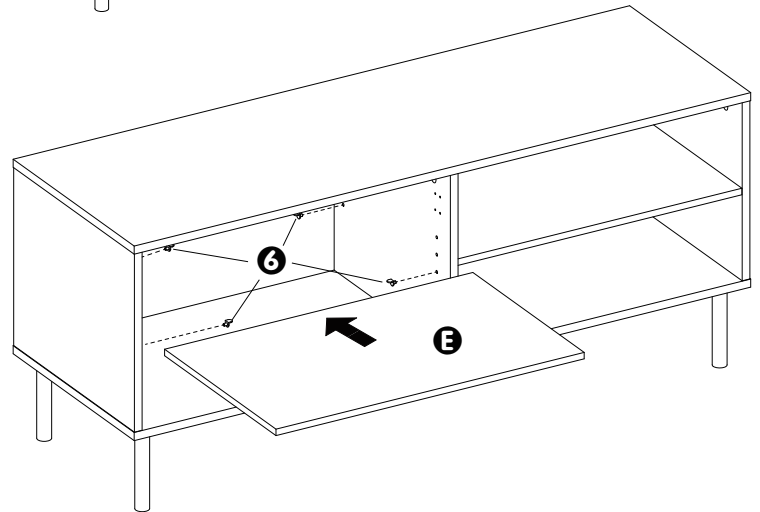
Hardware Required:    ② Cam Nut x6  
                                  ③ Dowel x6



**8** Choose the desired height to install the **Adjustable Shelf** ③. Insert the peg of each **Shelf Bracket** ⑥ into the appropriate holes in the interior of the left compartment of the unit, with the horizontal tab at the top.

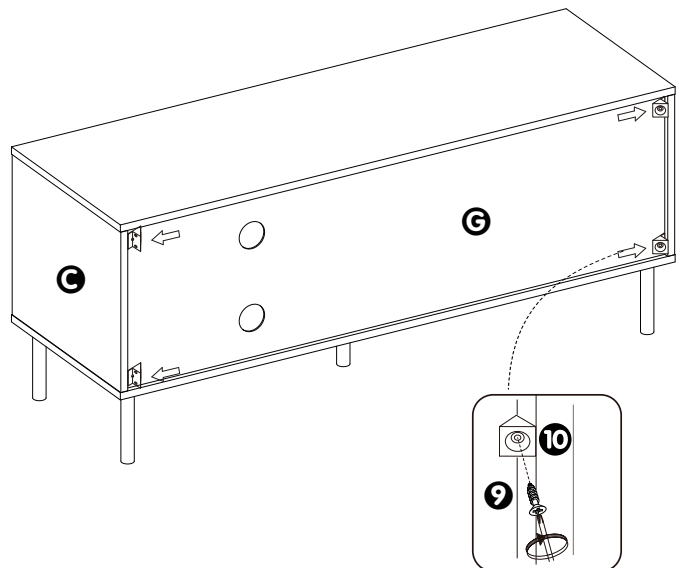
Slide the **Adjustable Shelf** into place on top of the **Shelf Supports**.

Hardware Required:    ⑥ Shelf Bracket x4



**9** Install the **Corner Brackets** ⑩ in each corner of the back of the unit to secure the **Back Panel**. Fasten each **Corner Bracket** using a **Screw** ⑨.

Hardware Required:    ⑨ Screw (3x16mm) x4  
                                  ⑩ Corner Bracket x4

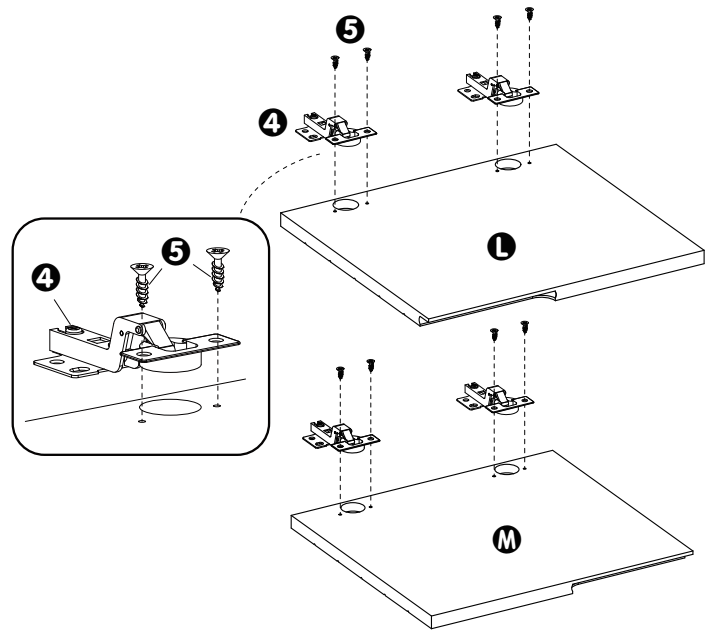


# ASSEMBLY

# BALKENE —HOME—

**10** Install the **Hinges 4**: insert the round hinge cup into the round bores near the edge of each **Door L/M**. Align the hinge eyelets with the 2 small holes drilled adjacent to each bore. Secure each **Hinge** by inserting 2 **Screws 5** through the eyelets and into the **Door**.

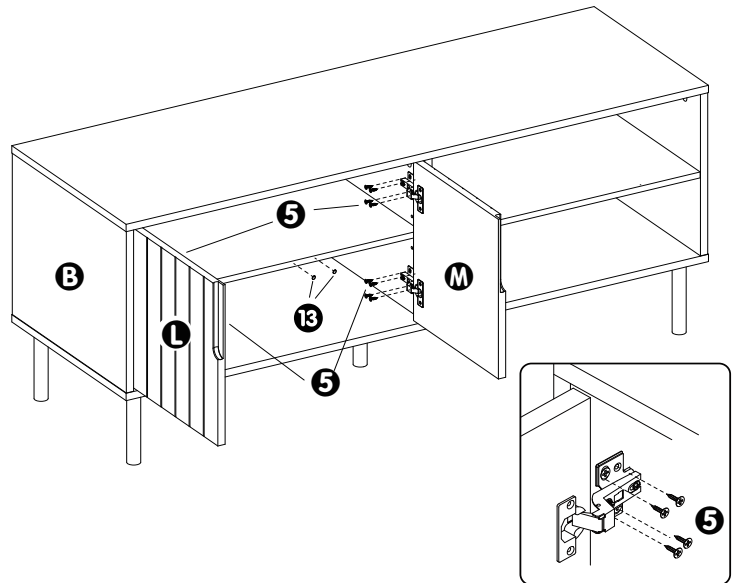
Hardware Required: **4** Hinge x4  
**5** Screw (4x14mm) x8



**11** Hang the **Doors L/M** by attaching the **Hinges 4** to the interior walls of the left compartment as shown. Fasten each **Hinge** using 4 **Screws 5**.

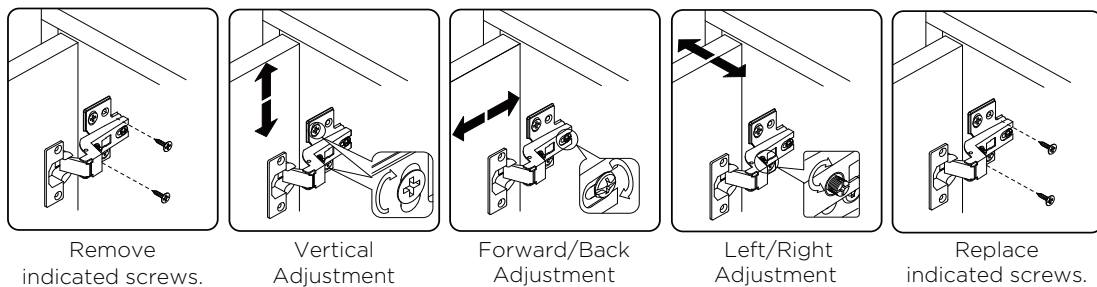
Apply the **Bumpers 13** to the front edge of the **Adjustable Shelf** as shown. Press firmly to adhere.

Hardware Required: **5** Screw (4x14mm) x16  
**13** Bumper x2



Your **Margo Media Console** is ready for use!

If necessary for correct door alignment, it is possible to adjust the hinges. See diagrams below:



# BALKENE —HOME—



## LIMITED WARRANTY

Customers in the Contiguous US

With proof of purchase from an authorized retailer, this product is warranted for a period of 1 year from original purchase date against defects in materials and workmanship under normal use. This warranty does NOT cover normal wear/weathering, exposure to water, freezing temperatures, oils, fluids, or chemicals OR use in a commercial context if the unit is not designated as a commercial model. At Well Traveled Living's sole discretion, products under warranty will be repaired and/or replaced at no charge to the customer. Returns sent back to Well Traveled Living must be sent via prepaid freight in the original retail packaging.

For warranty service, contact Balkene Home/Well Traveled Living at the address, phone numbers or website and email listed in this owner's manual. Be sure to have your sales receipt, date of purchase and catalogue/model numbers available when calling. All warranty service will be coordinated by Well Traveled Living's Amelia Island, Florida service center. This warranty is extended only to the original owner. Proof of purchase will be required before warranty service is rendered. The sales receipt is the only valid proof of purchase. This warranty only covers failures due to defects in materials or workmanship which occur during normal use. Failures and/or damage which result from accident, negligence, misuse, abuse, neglect, mishandling, alteration or modification, failure to maintain, improper assembly or maintenance, service by unauthorized agency or use of unauthorized components or damage that is attributable to acts of God are NOT covered.

This limited warranty gives you specific legal rights and you may also have other rights which vary from jurisdiction to jurisdiction. The provisions of the United Nations Convention on Contracts for the Sales of Goods shall not apply to this limited warranty or the sale of products covered by this limited warranty.

- THERE ARE NO EXPRESS WARRANTIES EXCEPT AS LISTED.
- PURCHASER ASSUMES ALL RISKS IN THE ASSEMBLY AND OPERATION OF THIS UNIT.
- FAILURE TO FOLLOW WARNINGS AND OPERATIONAL INSTRUCTIONS CONTAINED IN THIS MANUAL CAN RESULT IN SEVERE PROPERTY DAMAGE AND/OR PERSONAL INJURY.
- IN NO EVENT WILL WELL TRAVELED LIVING, OR ITS DIRECTORS, OFFICERS OR AGENTS BE LIABLE TO THE PURCHASER OR ANY THIRD PARTY, WHETHER IN CONTRACT, IN TORT, OR ON ANY OTHER BASIS, FOR ANY INDIRECT, SPECIAL, PUNITIVE, EXEMPLARY, CONSEQUENTIAL, OR INCIDENTAL LOSS, COST, OR DAMAGE ARISING OUT OF OR IN CONNECTION WITH THE SALE, MAINTENANCE, USE, OR INABILITY TO USE THE PRODUCT, EVEN IF WELL TRAVELED LIVING OR ITS DIRECTORS, OFFICERS OR AGENTS HAVE BEEN ADVISED OF THE POSSIBILITY OF SUCH LOSSES, COSTS OR DAMAGES, OR IF SUCH LOSSES, COSTS, OR DAMAGES ARE FORESEEABLE. IN NO EVENT WILL WELL TRAVELED LIVING, OR ITS OFFICERS, DIRECTORS, OR AGENTS BE LIABLE FOR ANY DIRECT LOSSES, COSTS OR DAMAGES THAT EXCEED THE PURCHASE PRICE OF THE PRODUCT.
- SOME JURISDICTIONS DO NOT ALLOW THE EXCLUSION OR LIMITATION OF INCIDENTAL OR CONSEQUENTIAL DAMAGES, SO THE ABOVE LIMITATION OR EXCLUSION MAY NOT APPLY TO THE PURCHASER.

## EXTEND YOUR WARRANTY

When you purchase a Fire Sense or Balkene Home product from any authorized retailer, you'll have peace of mind in knowing that it comes with a one-year warranty. Extend your warranty for *an additional year* when you review your item at [balkenehome.com](http://balkenehome.com) within 365 days of purchase.



### Important Notice

Do NOT return to place of purchase—for customer service and warranty issues:

Call toll-free  
Email  
Live chat

**(866) 985-7877**  
**[cservice@welltraveled.net](mailto:cservice@welltraveled.net)**  
**[balkenehome.com](http://balkenehome.com)**

9 am – 9 pm, EST

9 am – 6 pm, EST, Mon – Fri

Distributed by:

Well Traveled Living  
716 S 8th Street, Amelia Island, FL 32034  
[balkenehome.com](http://balkenehome.com)  
[cservice@welltraveled.net](mailto:cservice@welltraveled.net)  
(866) 985-7877