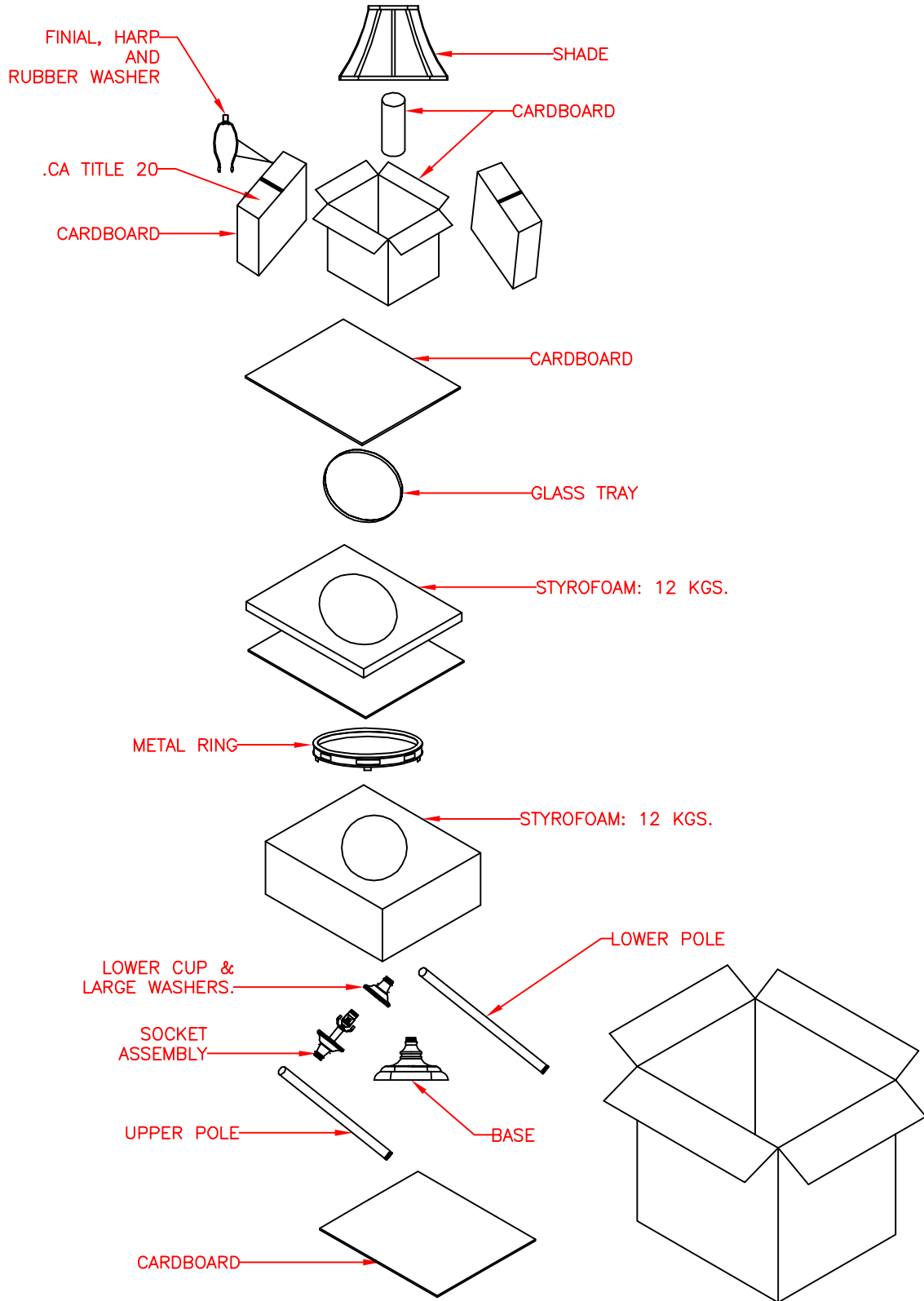


MODEL: 33052BBZ

PACKING DIAGRAM



ASSEMBLY INSTRUCTIONS

READ AND SAVE THESE INSTRUCTIONS

UNPACK THE LAMP

YOU SHOULD HAVE RECEIVED THE FOLLOWING PARTS IN THE PACKAGE: FINIAL, SMALL RUBBER WASHER, SHADE, HARP, SOCKET ASSEMBLY, UPPER POLE, CAP, METAL RING, GLASS TRAY, (2) LARGE RUBBER WASHERS, LOWER CUP, LOWER POLE AND BASE. TO PROTECT THE FINISHES, PLACE ALL PARTS ON A SOFT SURFACE.

ASSEMBLE THE LAMP

1. CAREFULLY ORGANIZE AND PLACE ALL PARTS ON A SMOOTH, FLAT SURFACE. LINE UP ALL OF THE PARTS ACCORDING TO THE ASSEMBLY DIAGRAM.

2. SCREW LOWER POLE TO TOP OF BASE.

3. SCREW LOWER CUP TO TOP OF LOWER POLE.

4. SLIDE A LARGE RUBBER WASHER OVER COUPLING OF LOWER CUP AND PLACE GLASS TRAY ONTO LOWER CUP.

5. SLIDE ANOTHER LARGE RUBBER WASHER OVER END OF THE COUPLING OF LOWER CUP.

6. SCREW SOCKET ASSEMBLY TO TOP OF UPPER POLE.

7. JOIN THE WIRE CONNECTORS TOGETHER.

8. SECURE THE GLASS TRAY TO TOP OF LOWER CUP WITH UPPER POLE.

(NOTE: TO PREVENT BREAKING THE GLASS TRAY, DO NOT OVER TIGHTEN THE UPPER POLE ONTO THE GLASS TRAY)

9. PLACE METAL RING ONTO GLASS TRAY AND SECURE WITH (3) CLIPS.

10. SQUEEZE LEGS OF HARP TOGETHER AND INSERT THE TWO ENDS INTO THE HARP HOLDER.

11. PRIOR TO INSTALLING THE BULB, PLEASE INSPECT SOCKET FOR SILICA PACKET. IF PACKET IS PRESENT, REMOVE AND THROW AWAY. DO NOT EXPOSE TO CHILDREN AND PETS.

12. INSTALL A 150 WATT MAXIMUM MEDIUM BASE 3-WAY TYPE "A" BULB (NOT INCLUDED) INTO SOCKET. MAKE SURE THE BULB IS TIGHTLY SCREWED INTO THE SOCKET BASE TO ASSURE 3-WAY FUNCTION.

13. PLACE SHADE ONTO HARP, THEN SECURE WITH SMALL RUBBER WASHER AND FINIAL.

14. PLUG THE POWER CORD INTO AN OUTLET AND TRUN ON AT SWITCH.

BULB REPLACEMENT

1. BEFORE REPLACING THE BULB, BE SURE THAT THE SHADE AND BULB ARE COOL AND LAMP IS UNPLUGGED.

2. UNSCREW EXISTING BULB FROM SOCKET AND REPLACE WITH A NEW BULB. PLUG POWER SUPPLY CORD BACK INTO OUTLET.

TROUBLE-SHOOTING

1. IF YOUR LAMP DOES NOT LIGHT, CHECK PLUG AT THE OUTLET. MAKE SURE THE PLUG IS FULLY AND PROPERLY INSERTED.

2. IF LAMP STILL DOES NOT LIGHT, UNPLUG FROM OUTLET, CHECK THE BULB FOR A BROKEN FILAMENT. REPLACE BULB IF NECESSARY, PLUG IN LAMP AND TURN IT ON.

3. IF THE LAMP STILL DOES NOT LIGHT, PLEASE CONTACT YOUR DISTRIBUTOR OR PLACE OF PURCHASE.

IMPORTANT SAFETY INSTRUCTIONS

THIS PORTABLE LAMP HAS A POLARIZED PLUG (ONE BLADE IS WIDER THAN THE OTHER) AS A FEATURE TO REDUCE THE RISK OF ELECTRIC SHOCK. THIS PLUG WILL FIT IN A POLARIZED OUTLET ONLY ONE WAY. IF THE PLUG DOES NOT FIT FULLY IN THE OUTLET, REVERSE THE PLUG. IF IT STILL DOES NOT FIT, CONTACT A QUALIFIED ELECTRICIAN. NEVER USE WITH AN EXTENSION CORD UNLESS PLUG CAN BE FULLY INSERTED. DO NOT ALTER THE PLUG.

