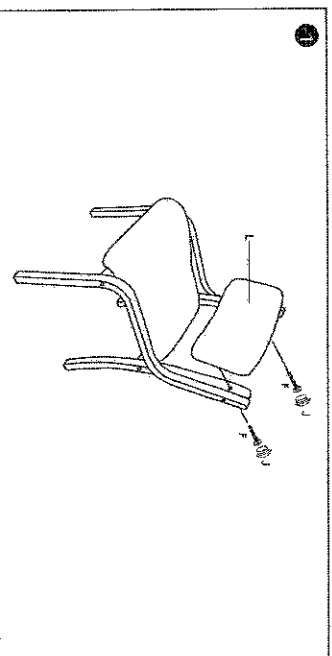
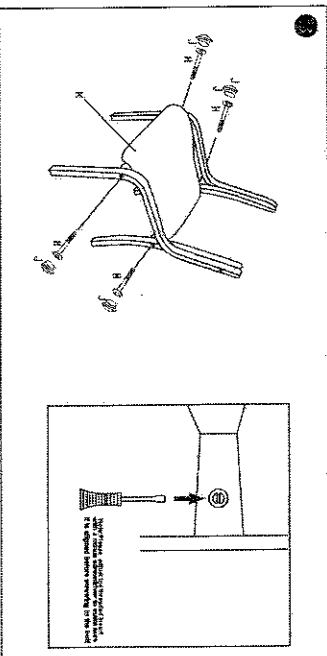
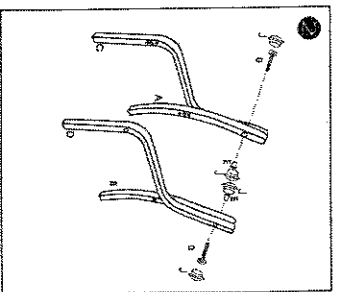
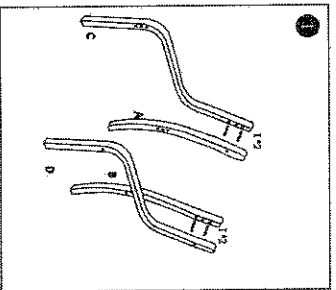
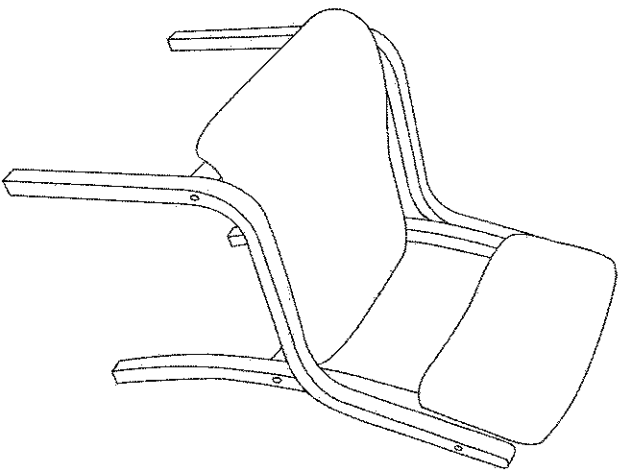


Model UH-5071-BK-WAL-GG Assembly Instructions

Parts listing

A	1PC	B	1PC
C	1PC	D	1PC
E	2PCS	F	2PCS
G	2PCS	H	4PCS
I	4PCS	J	10PCS
K	1PC	L	1PC



ASSEMBLY NOTES:
 During assembly, hand tighten screws only; when all screws are in place, you may then tighten all screws completely.
CAUTION: 1. Do not use this chair as a step ladder.
 2. Check for loose screws and tighten them every 6 months.

Made and printed in China