

Thank you for choosing a **PALACE IMPORTS** product.
Your total satisfaction is our #1 priority.

Customer Service and Warranty Information

- Should you have a problem or need more information concerning the warranty, **do not contact the place of purchase. Please email our customer service department for immediate assistance at info@palaceimportsinc.com or go to www.palaceimportsinc.com**
- PALACE IMPORTS products are warranted to the original purchaser against defects in material or workmanship in the furniture. Defects as mentioned in this warranty refer to any imperfections which may impair the use of the product. Our warranty is expressly limited to the replacement of furniture parts and components for one year following the date of purchase.
- PALACE IMPORTS will replace any part that is defective. This warranty applies under conditions of normal use. Our furniture products are not intended for outdoor use. The warranty does not cover defects caused by improper assembly or disassembly, defects occurring after purchase due to product modifications, intentional damage, accident, misuse, exposure to the elements and labor or assembly costs.
- PALACE IMPORTS reserves the right to request proof of purchase to document a warranty claim. In no event shall PALACE IMPORTS be liable for incidental or consequent damages resulting from the misuse of the product.

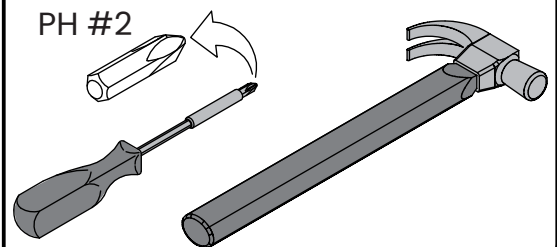
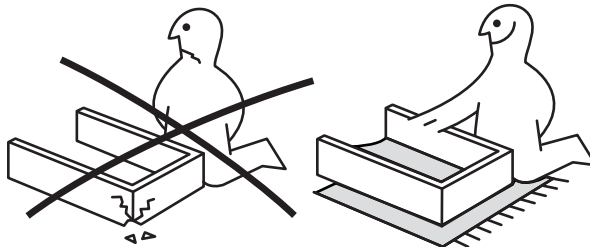
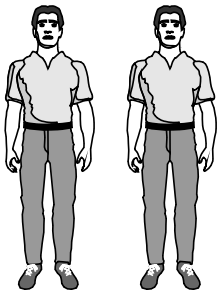
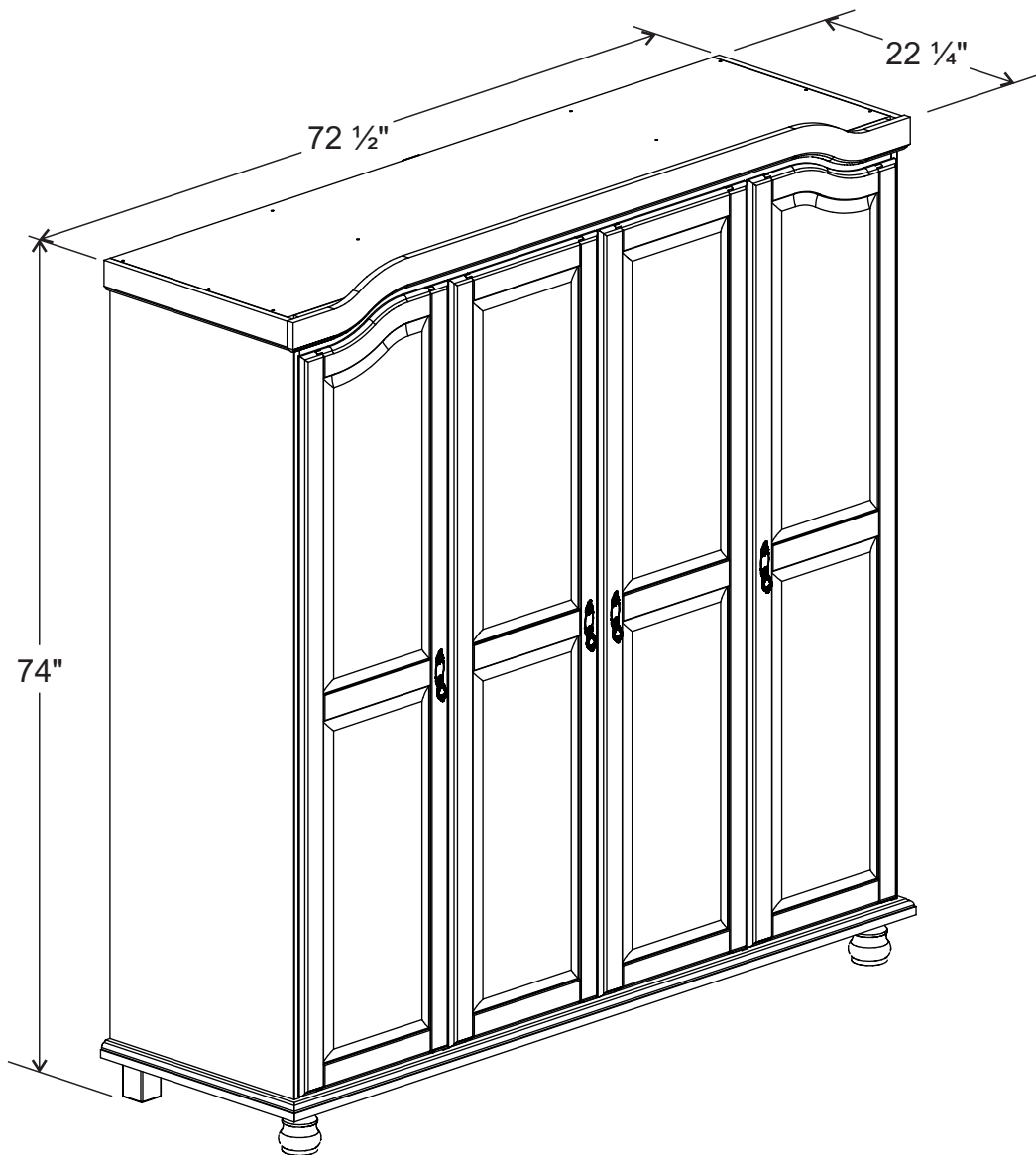


ASSEMBLY INSTRUCTIONS

KYLE 4-DOOR WARDROBE

SKU 8201 - White

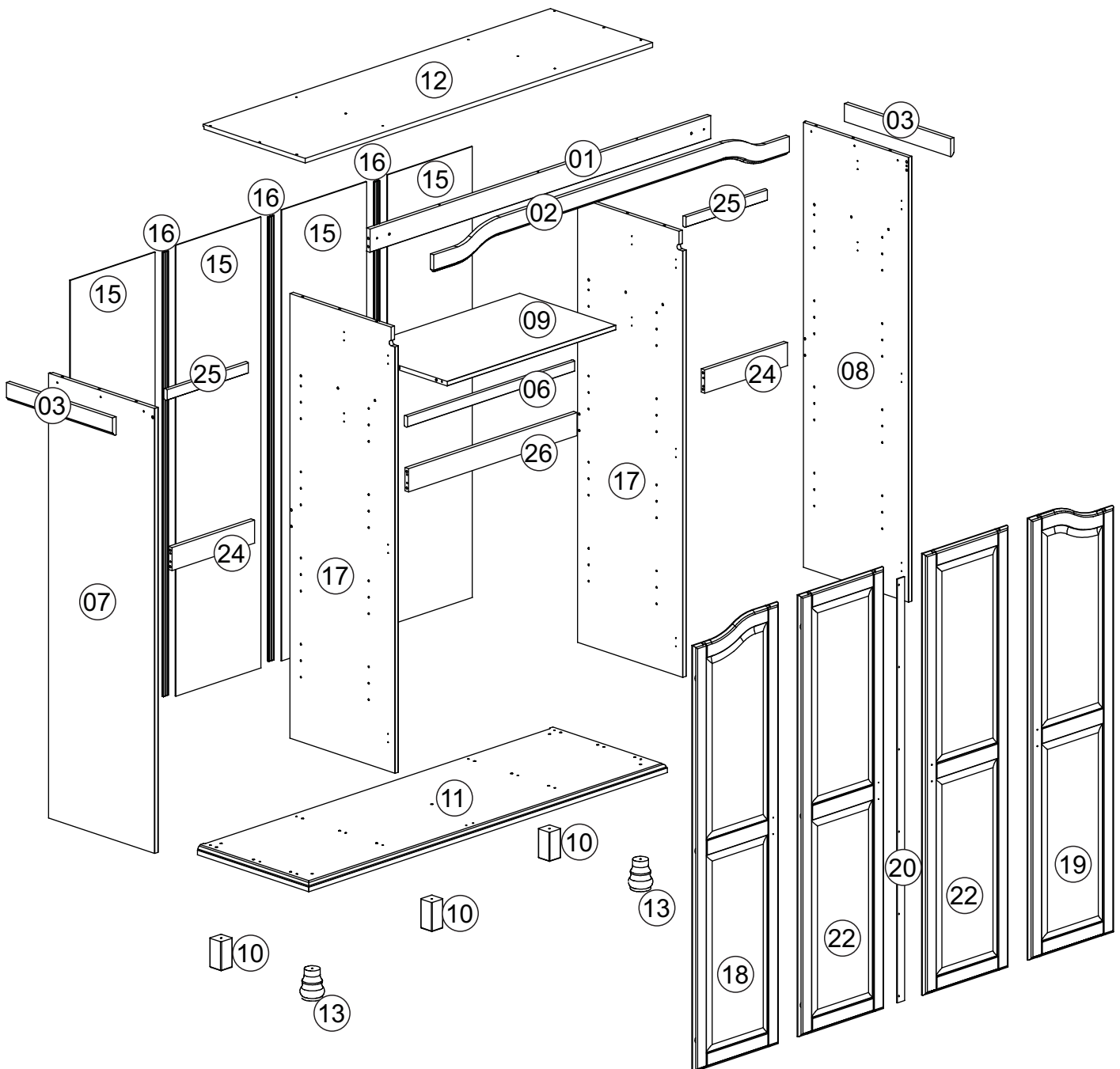
SKU 8203 - Mocha




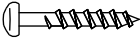


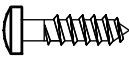
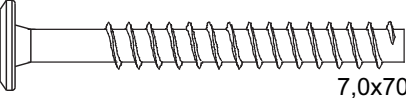
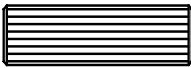
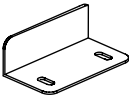
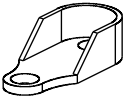

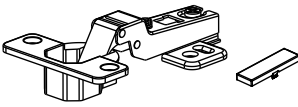
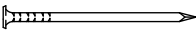
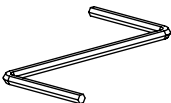

PRE-ASSEMBLY PREPARATION

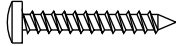
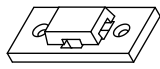

- Please check the contents before assembling. A full checklist of parts is provided below.
- If any parts are missing or damaged, please contact us at info@PalaceImportsInc.com
- Assemble on a flat, smooth surface on top of a blanket.
- Use only low-speed power drill setting.
- Assemble as near as possible to the point of use.
- The hardware pack contains SMALL ITEMS which should be KEPT AWAY FROM YOUNG CHILDREN.

PARTS LIST AND LAYOUT



SCREWS ARE SHOWN IN ACTUAL SIZE

A1	 4,0x30	26+1
A7	 3,0x16	08+1
A16	 4,0x40	26+1
A42	 4,0x14	12+1
A44	 3,5x14	78+2
B19	 7,0x70	05
C2	 8,0x25	48+2
D3		01
D10		06
D16		05
F10		12
G1	 10x10	62
G8		01
H18		04

FURNITURE TIPOVER KIT		
A8	 3,0x20	02+1
F8		02
F9		01

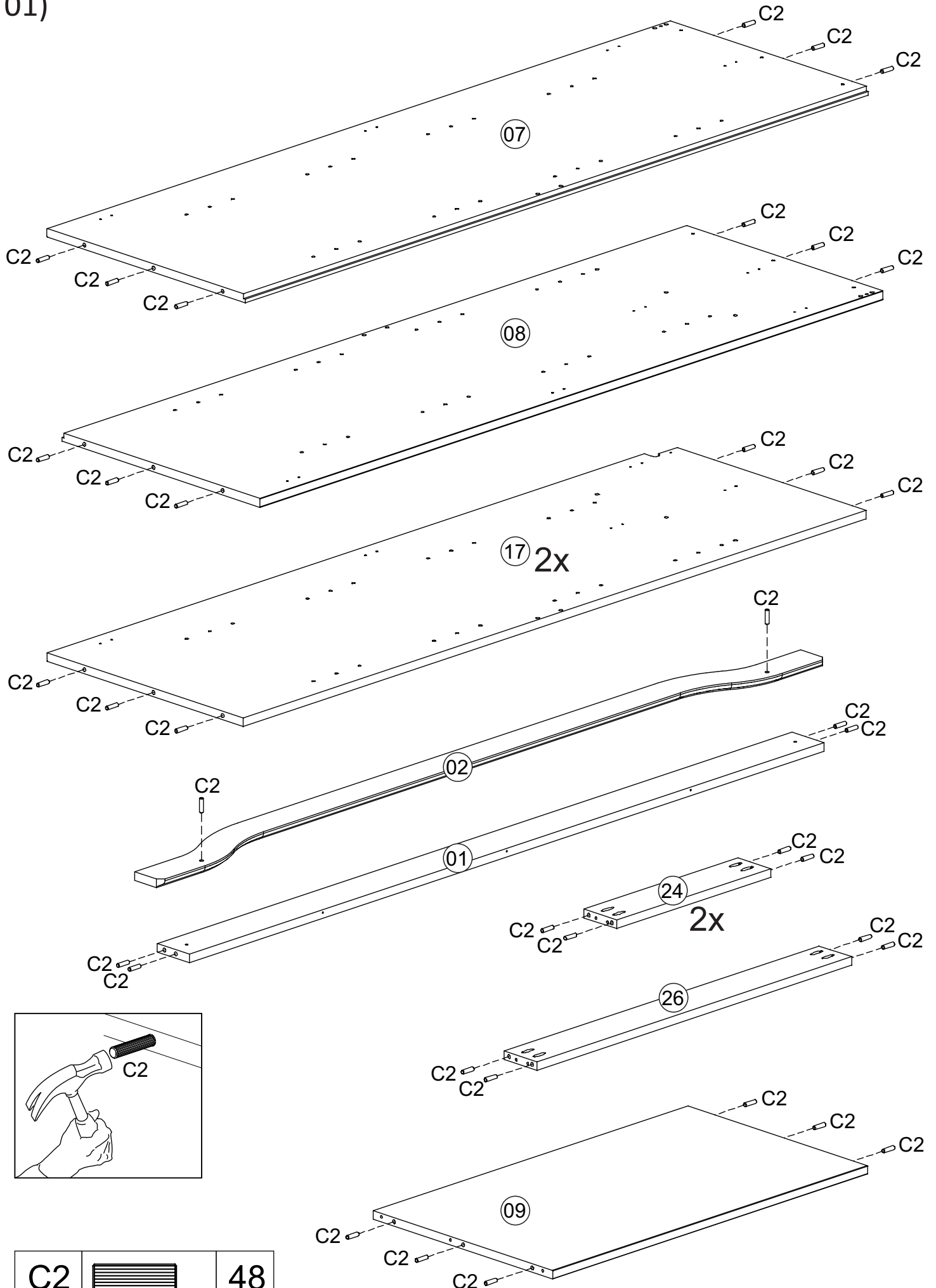
 **WARNING:**
CHOKING HAZARD
Small Parts
Adult Supervision Required

 **WARNING**

**FURNITURE TIPOVER CAN
RESULT IN SERIOUS INJURY OR
DEATH**

This wardrobe includes tipover-
prevention hardware that
MUST BE ATTACHED TO THE WALL
per the assembly instructions.

01)



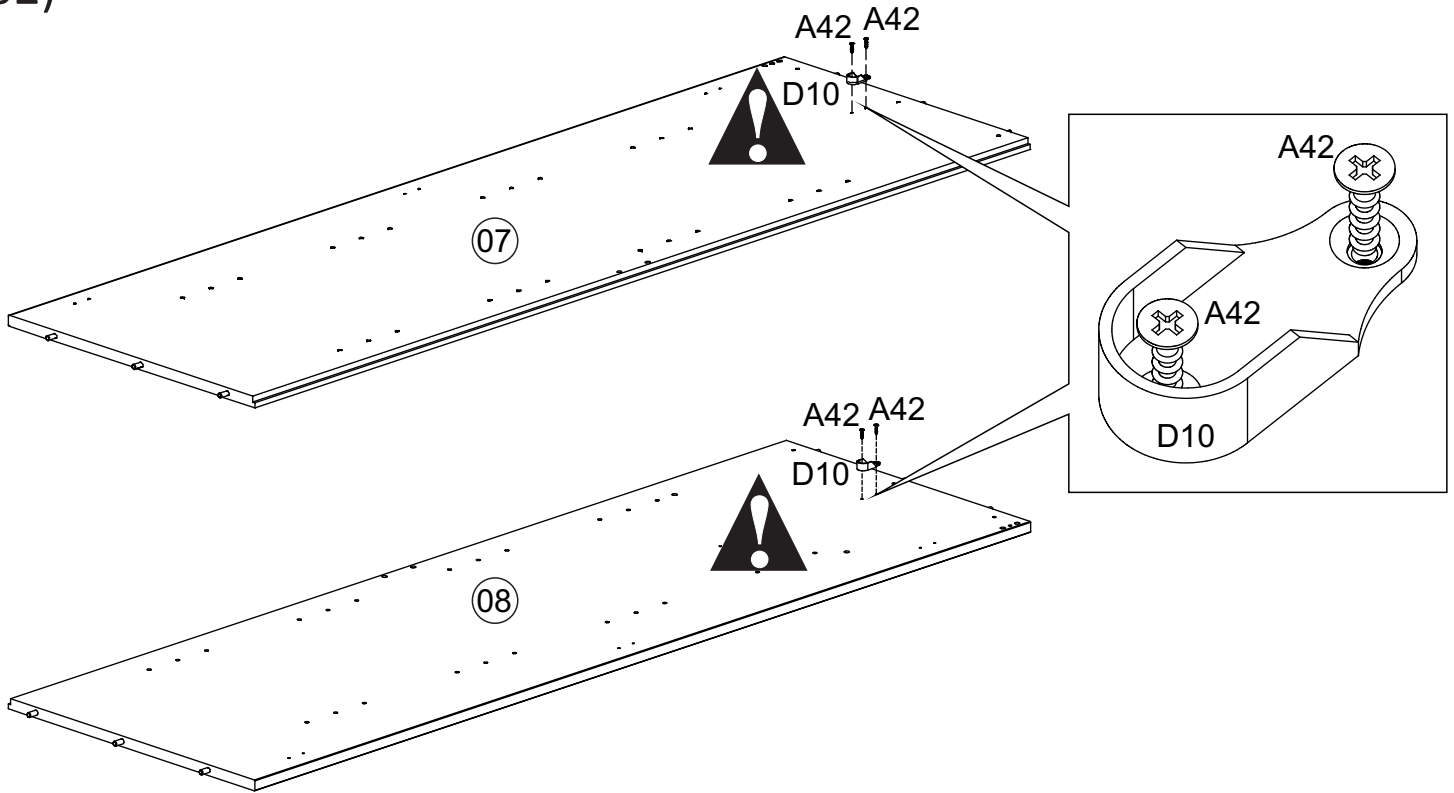
C2



8,0x25

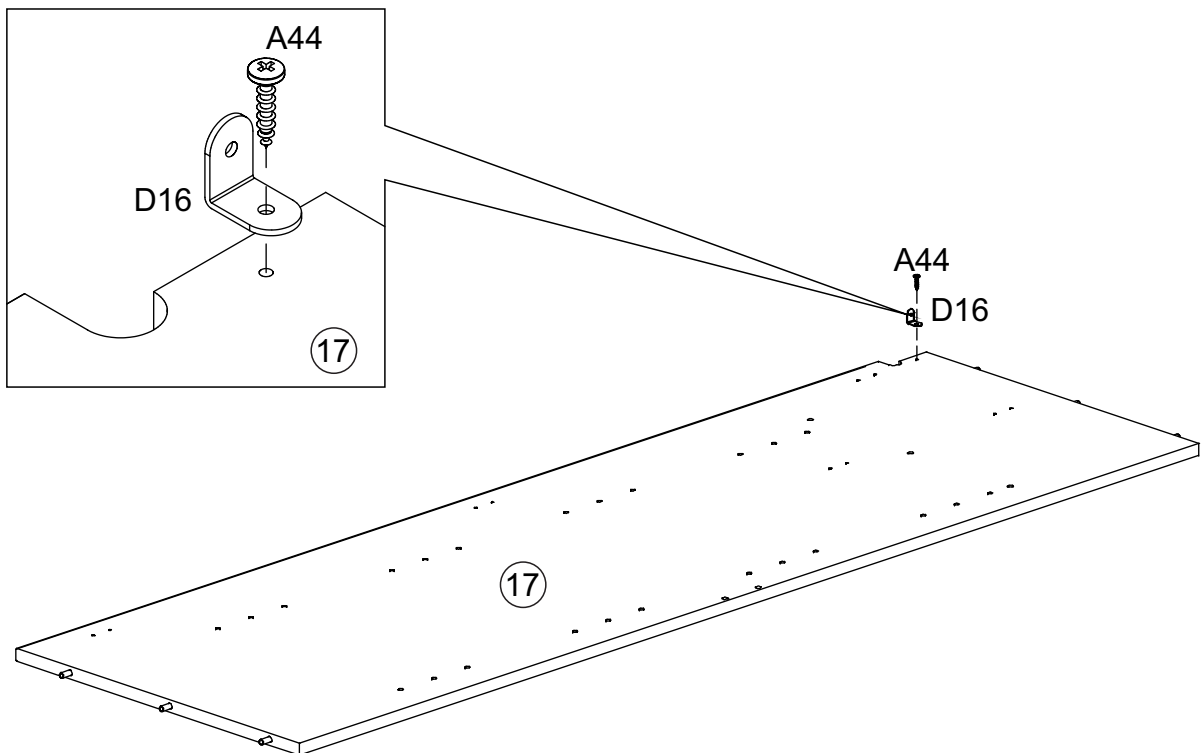
48

02)



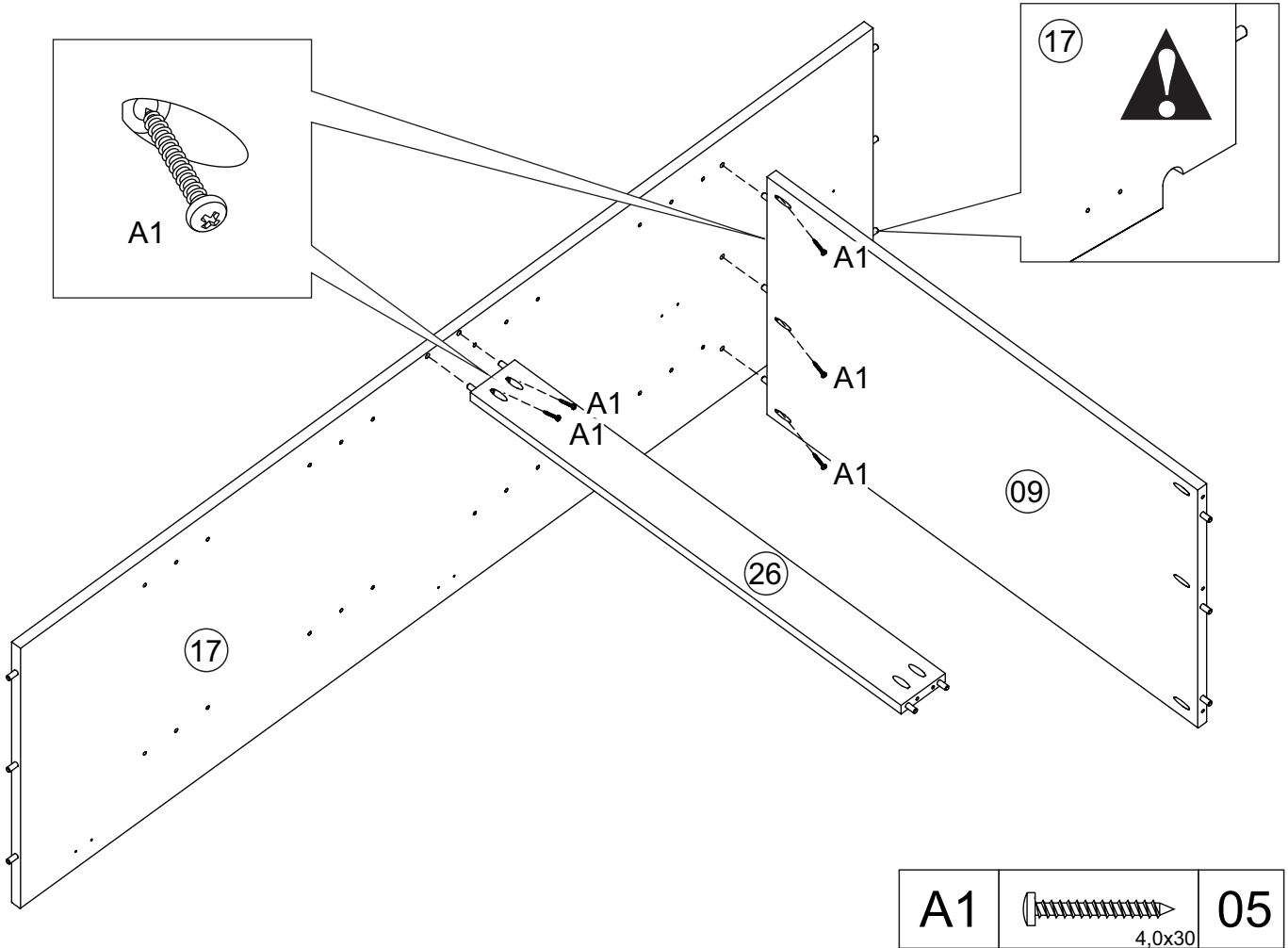
A42		04	D10		02
	4.0x14				

03)
2x

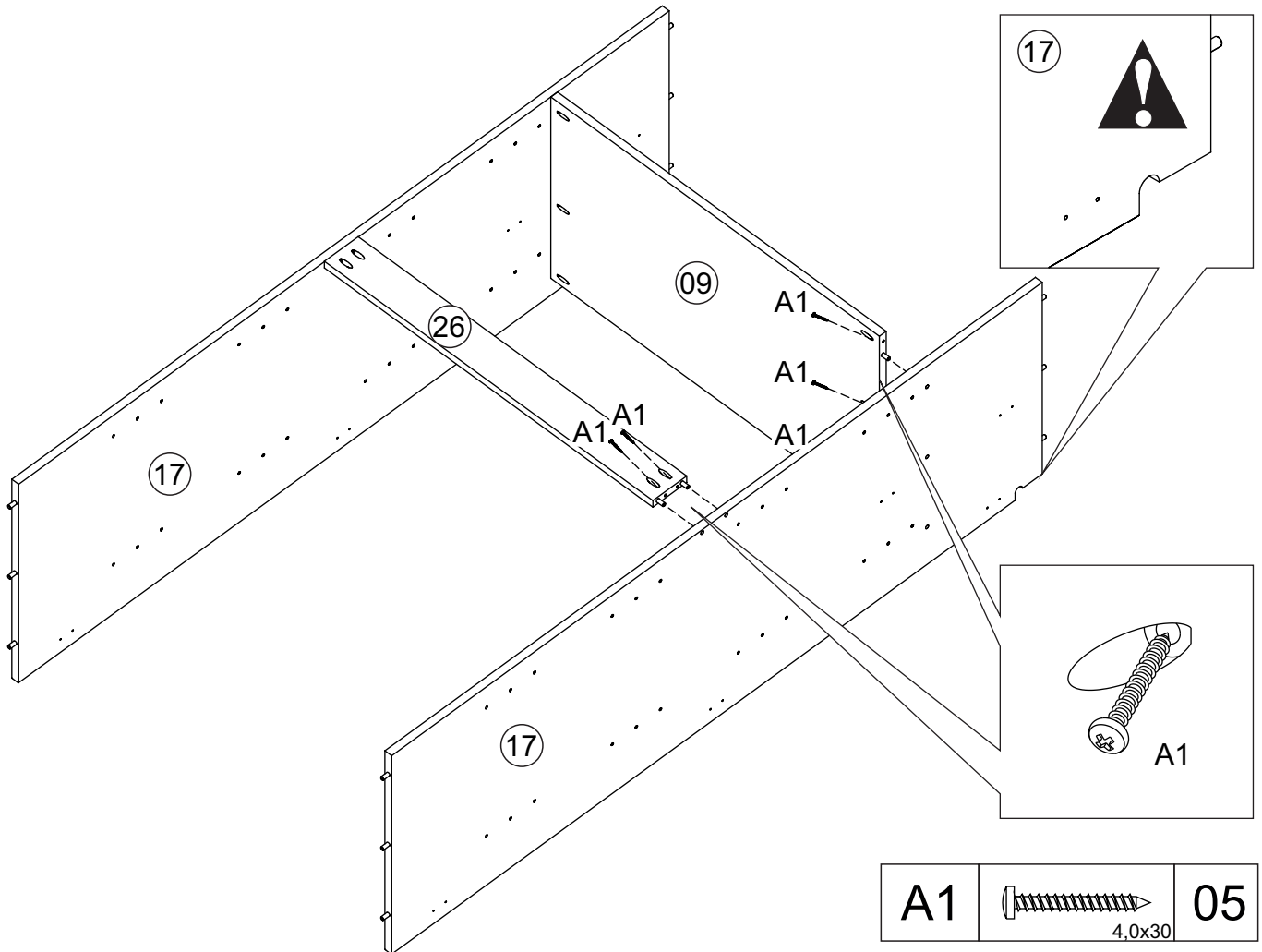


A44		02	D16		02
	3.5x14				

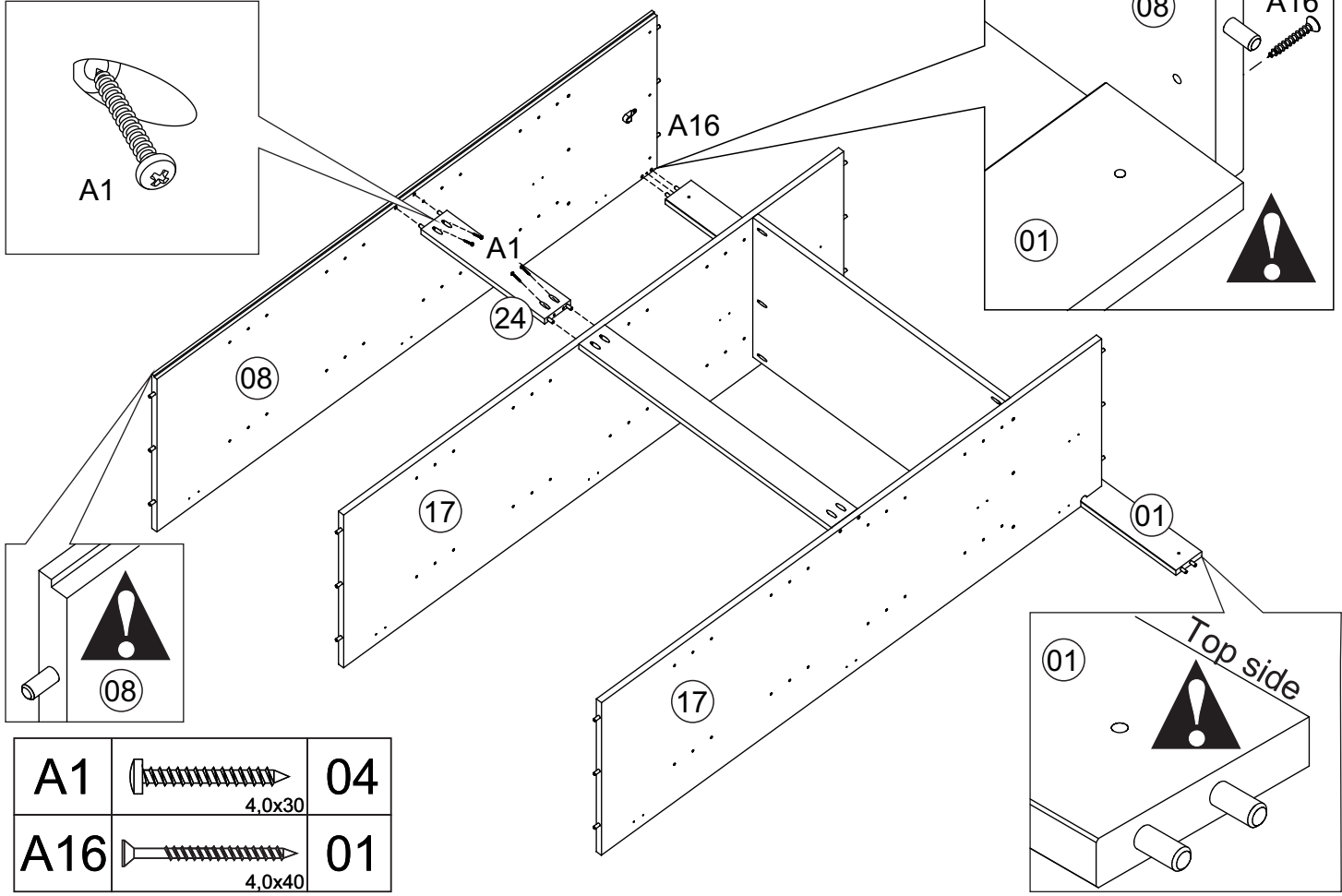
04)



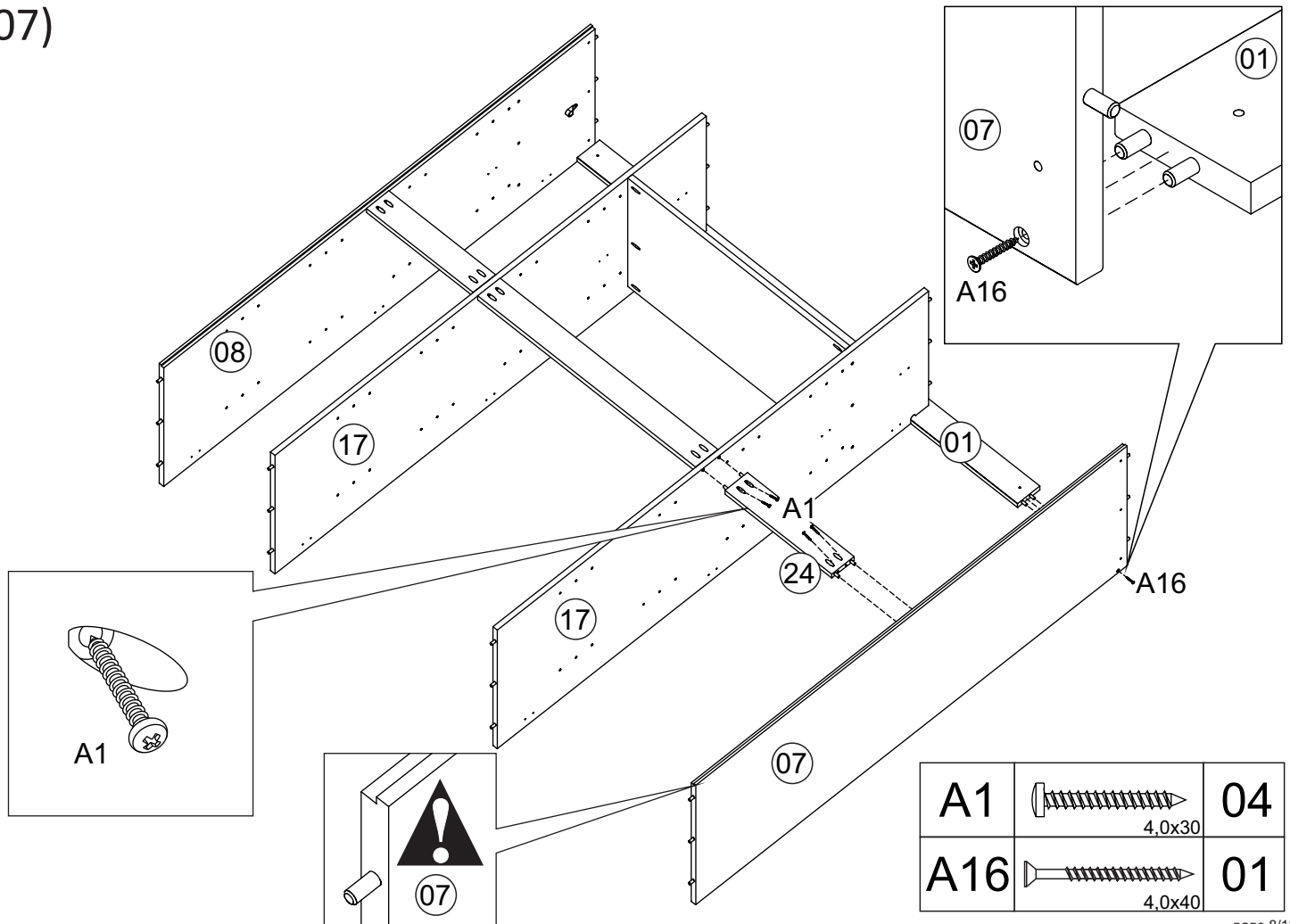
05)



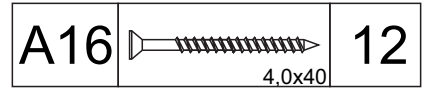
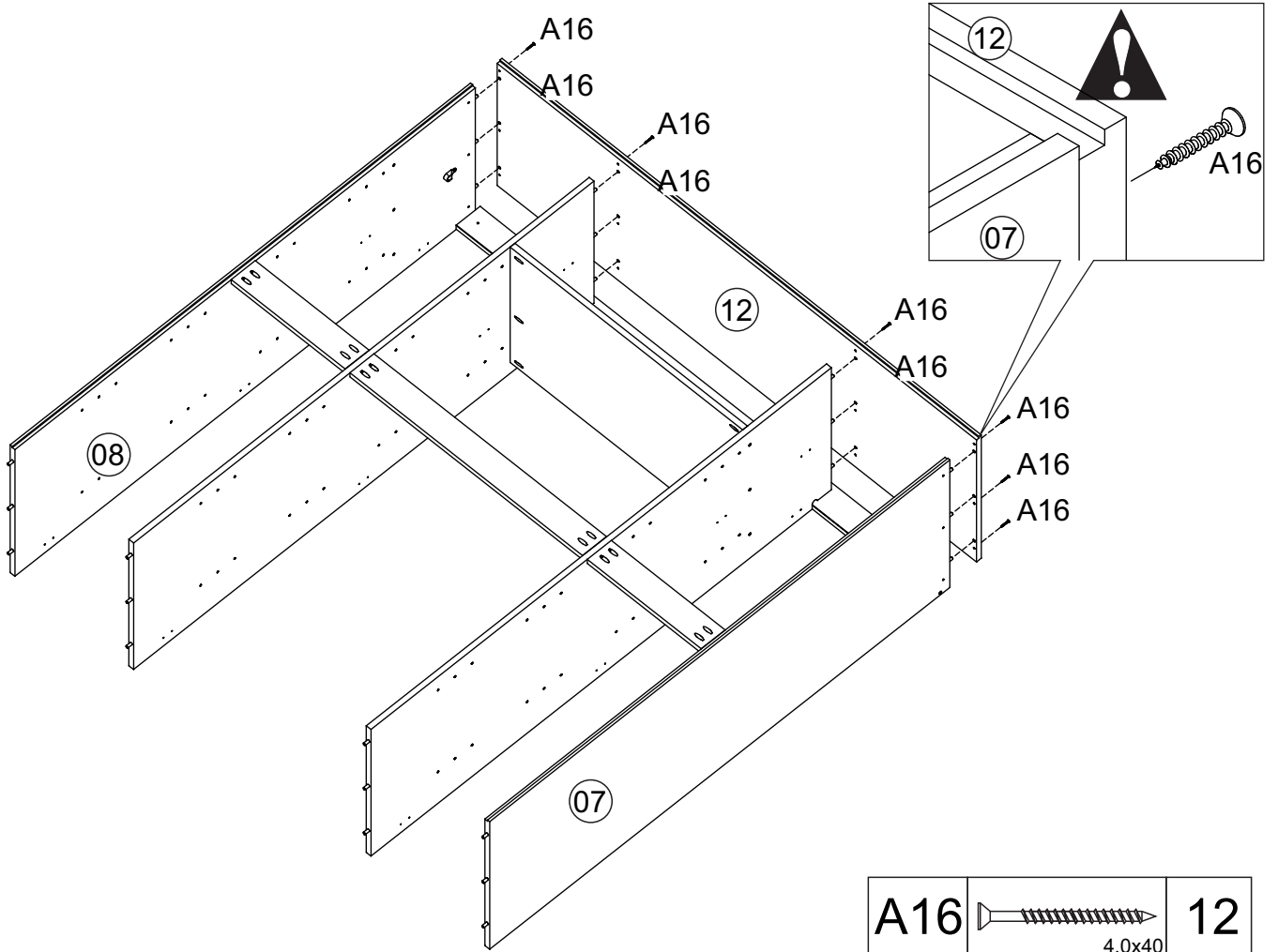
06)



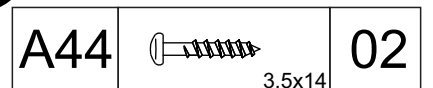
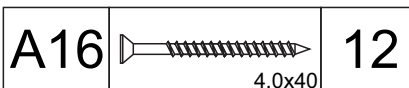
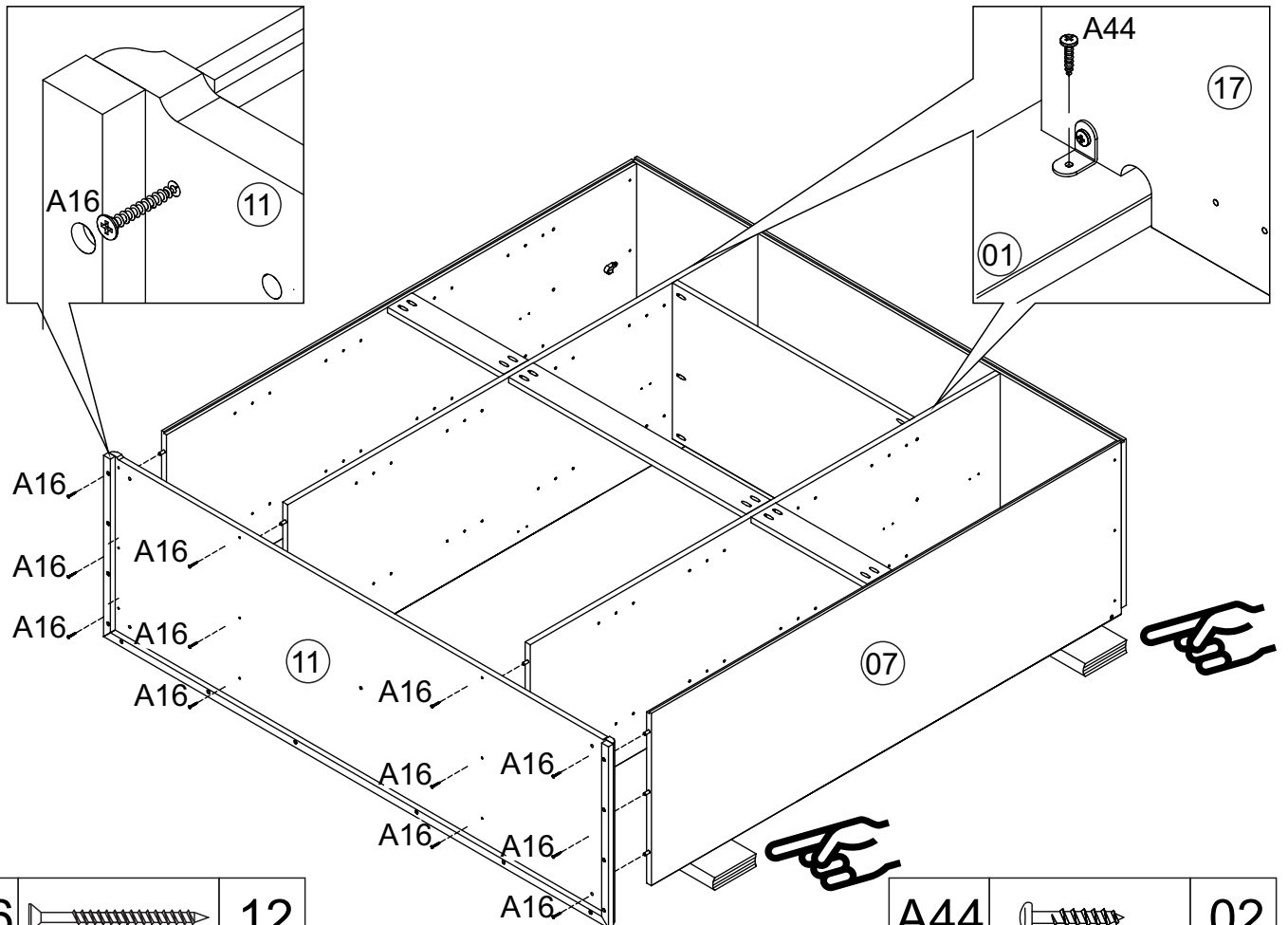
07)



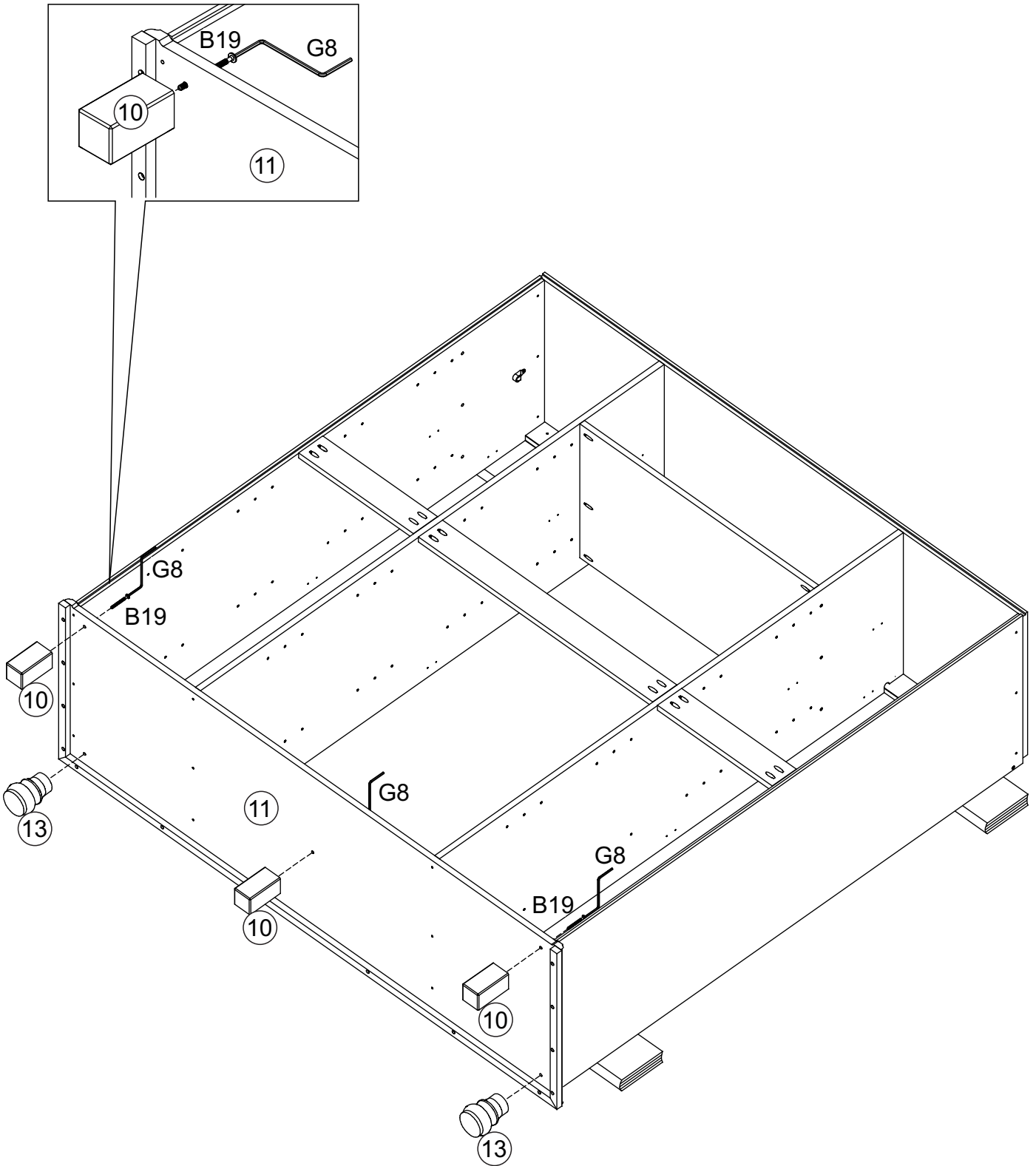
08)

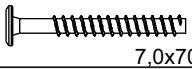



09)

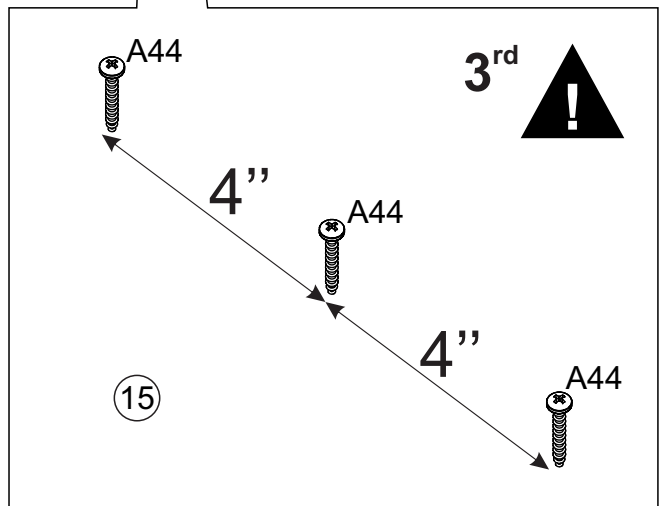
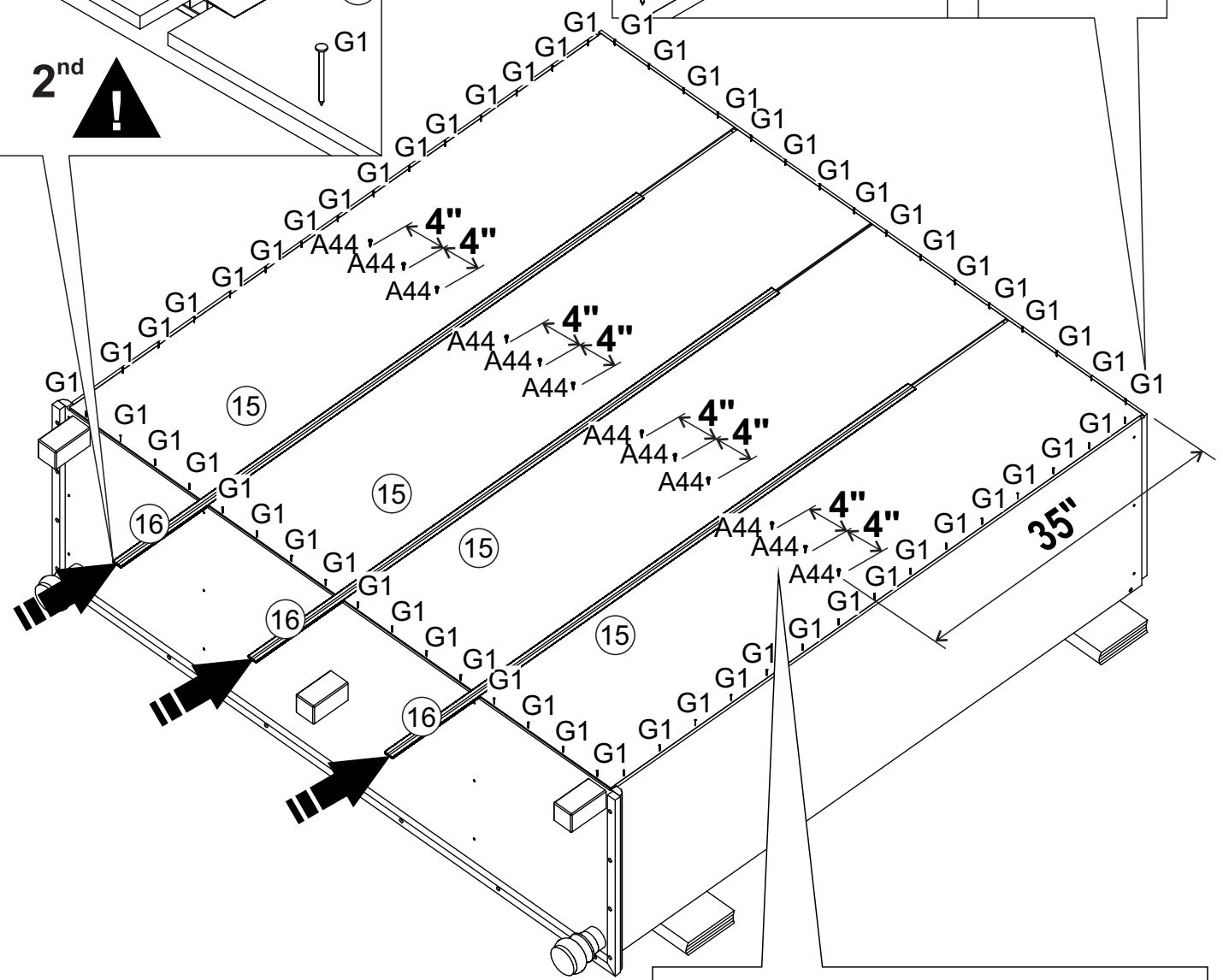
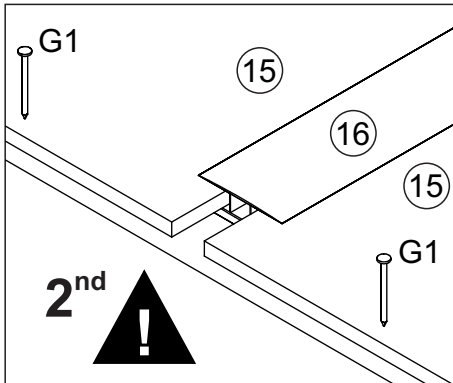
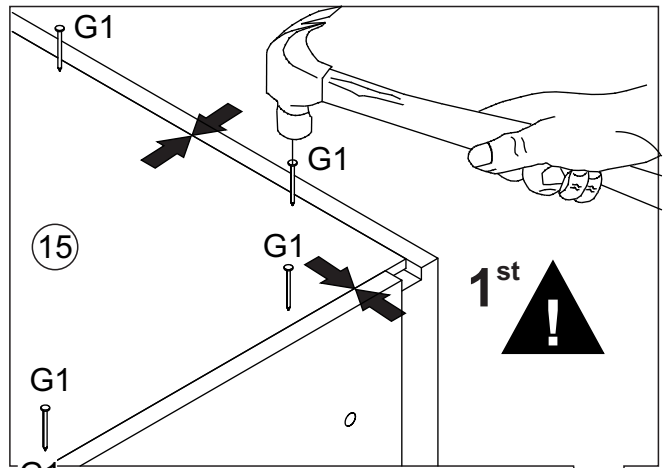


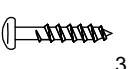
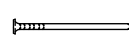
10)



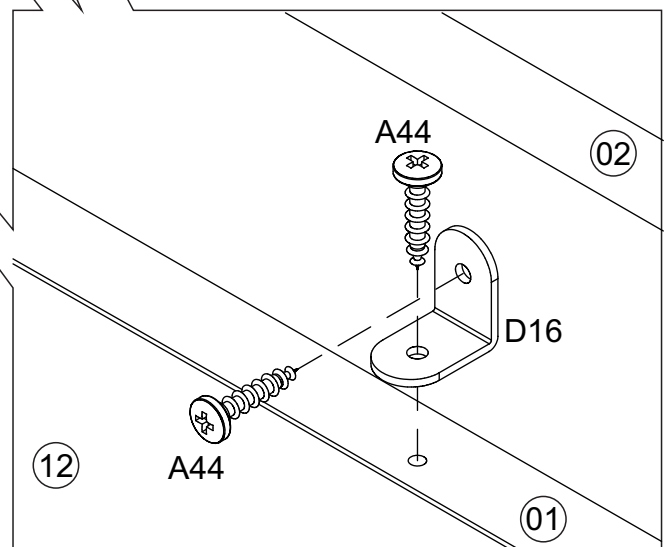
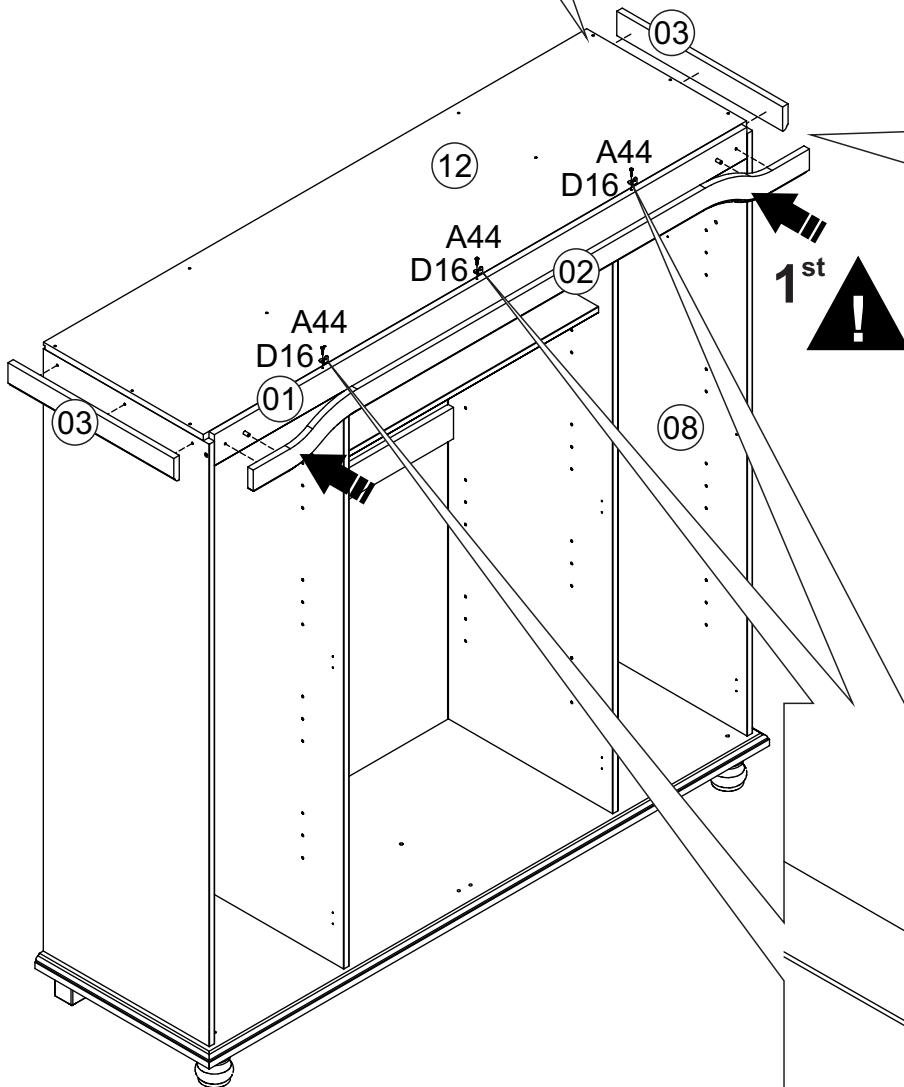
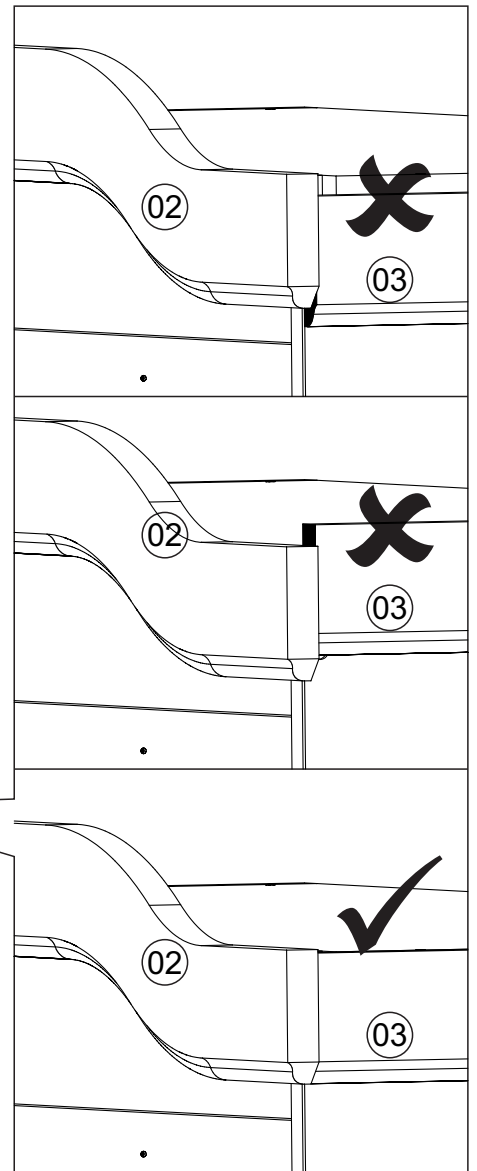
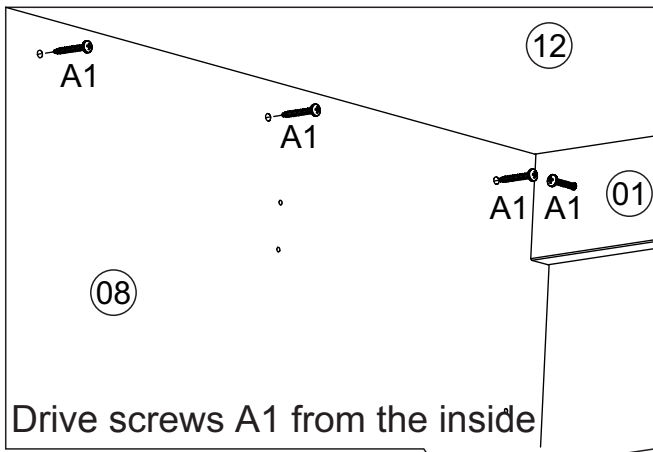
B19	 7.0x70	05
G8		01


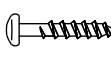

11)



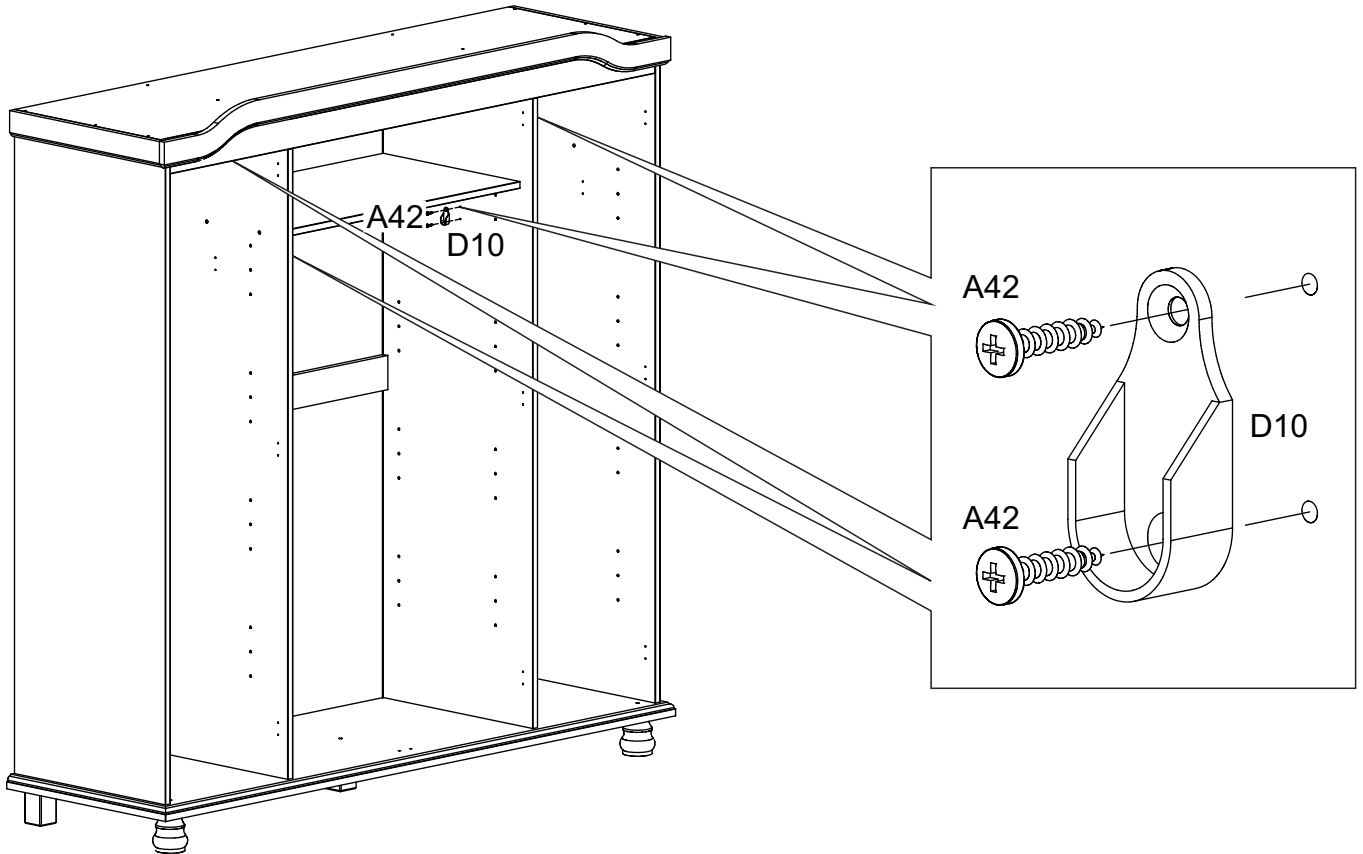
A44	 3.5x14	12
G1	 10x10	62


12)



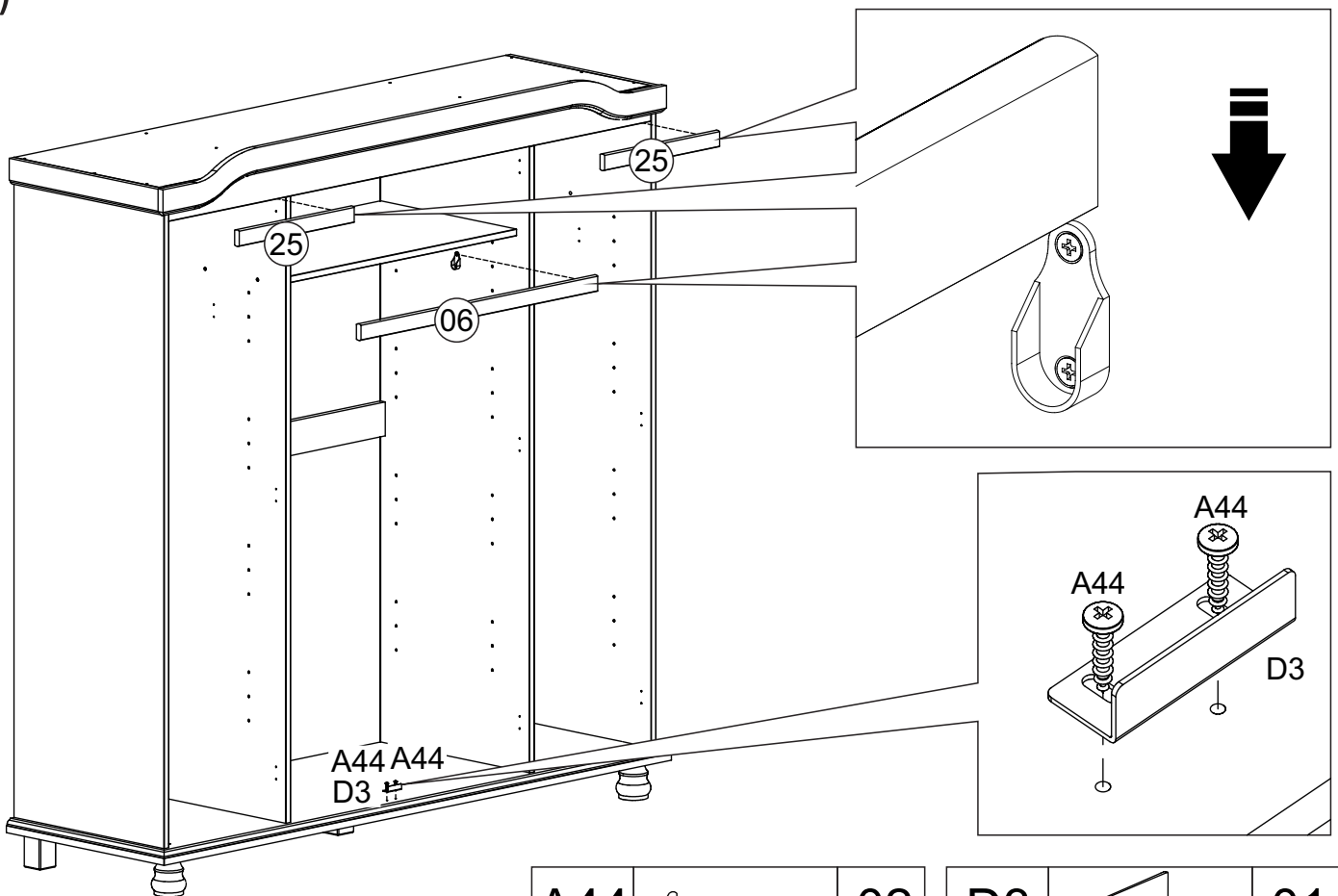
A1		08	A44		06	D16		03
	4,0x30			3,5x14				


13)



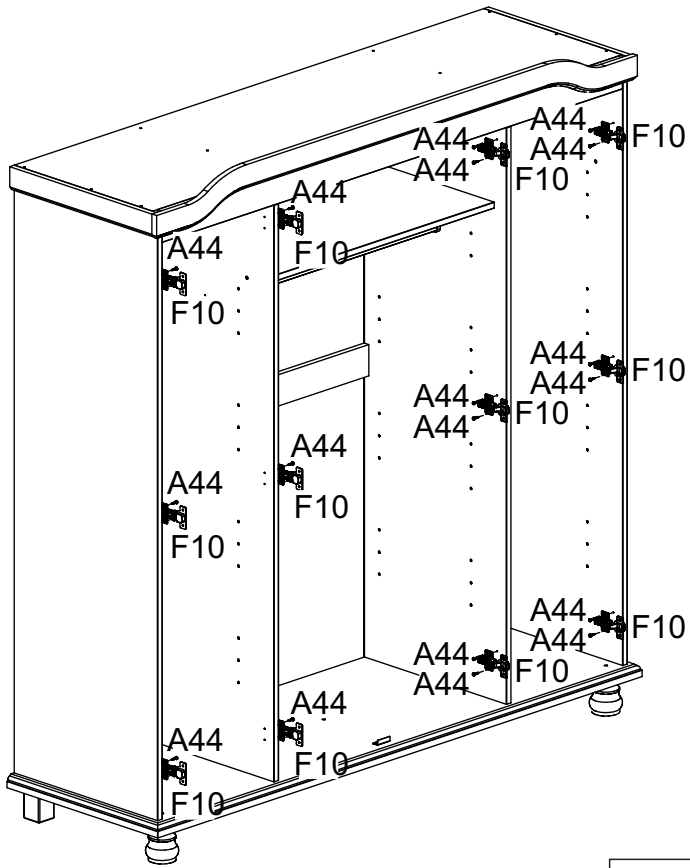
A42		08	D10		04
	4.0x14				

14)

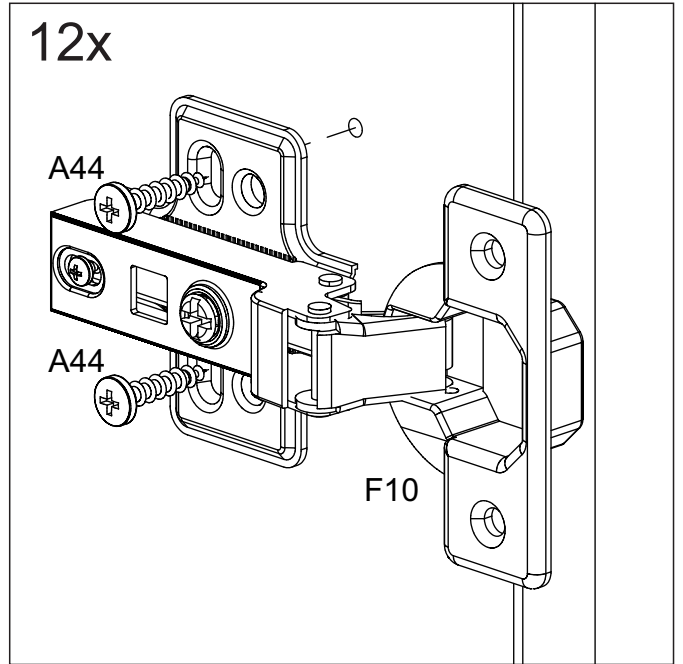


A44		02	D3		01
	3.5x14				

15)

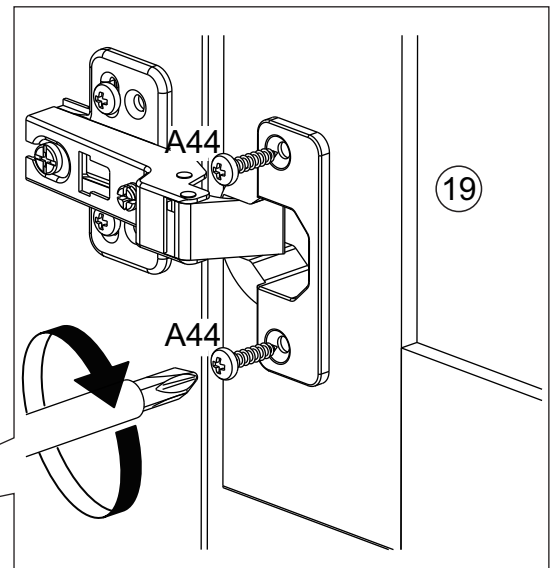
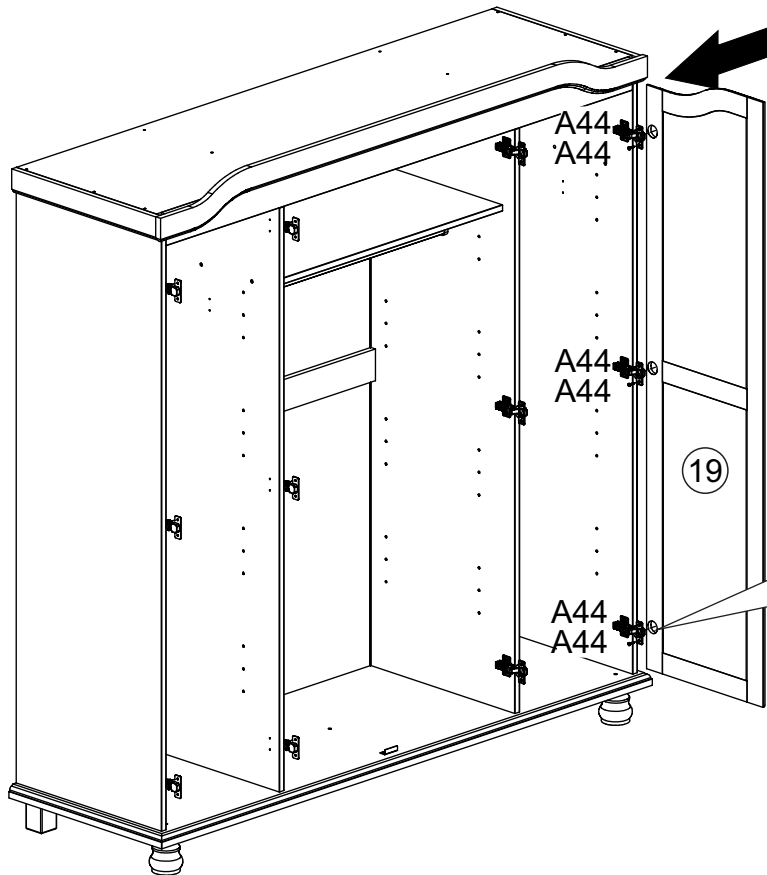


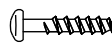
12x



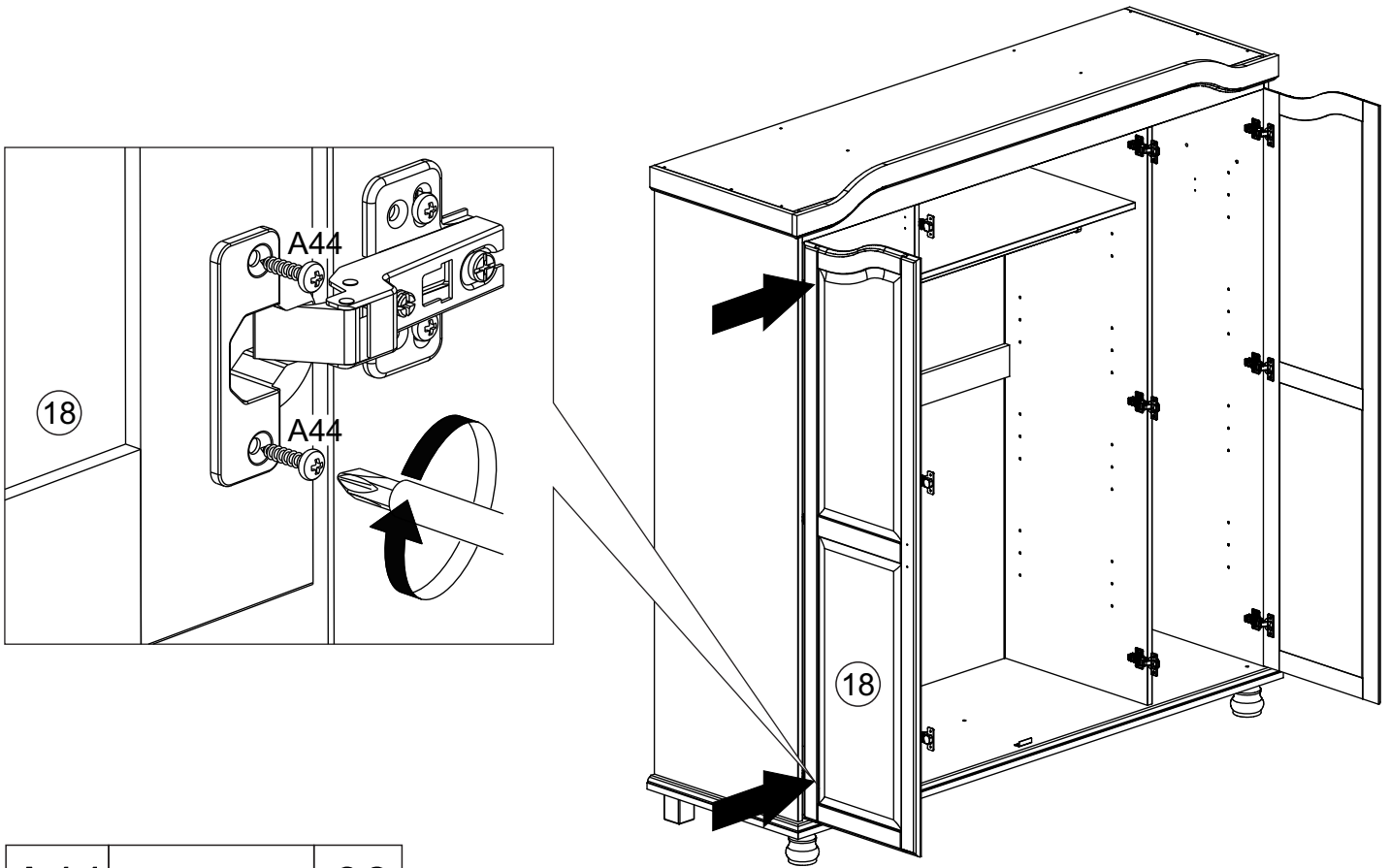
A44		24	F10		12
	3.5x14				

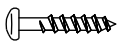
16)



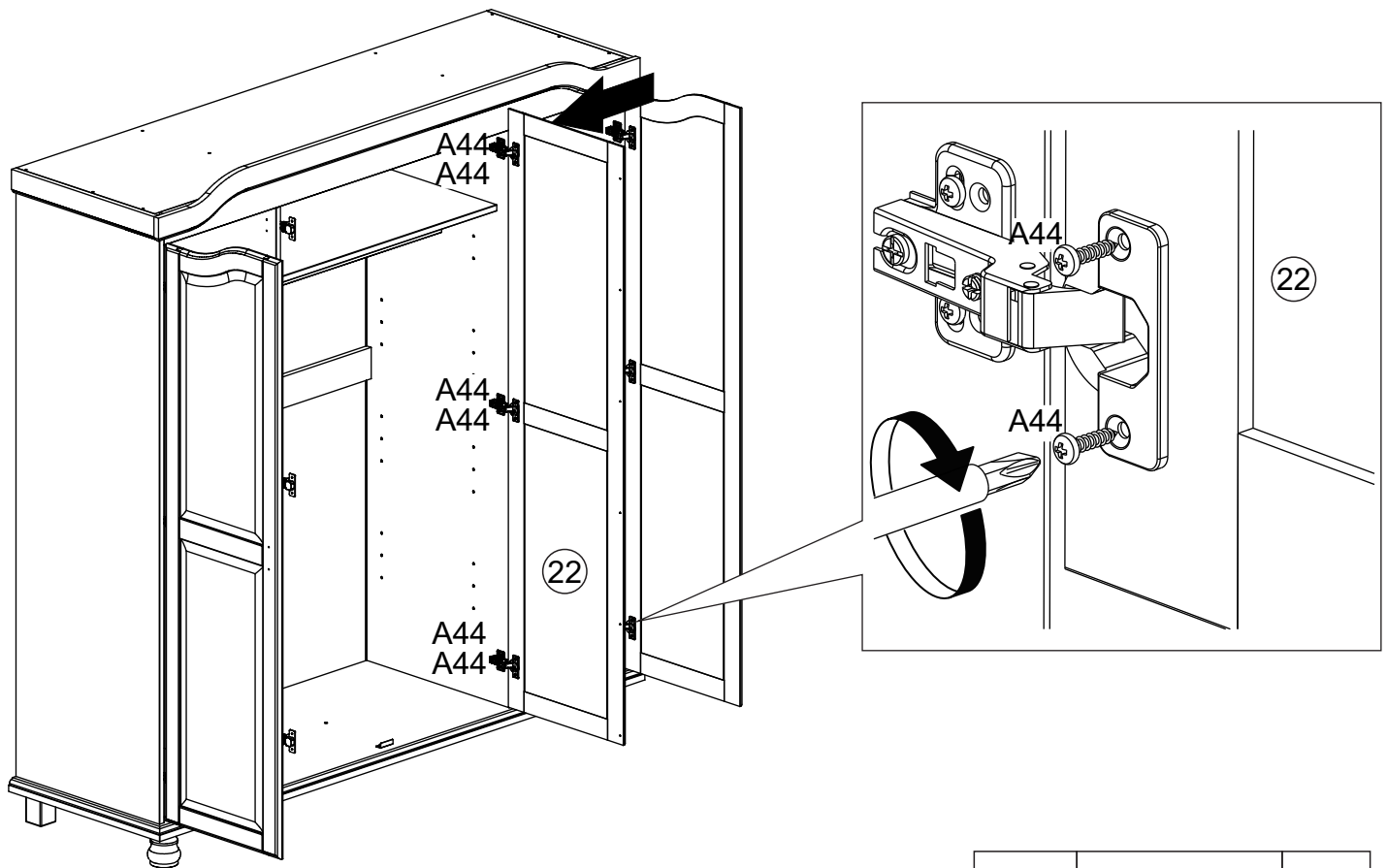
A44		06
	3.5x14	

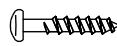
17)



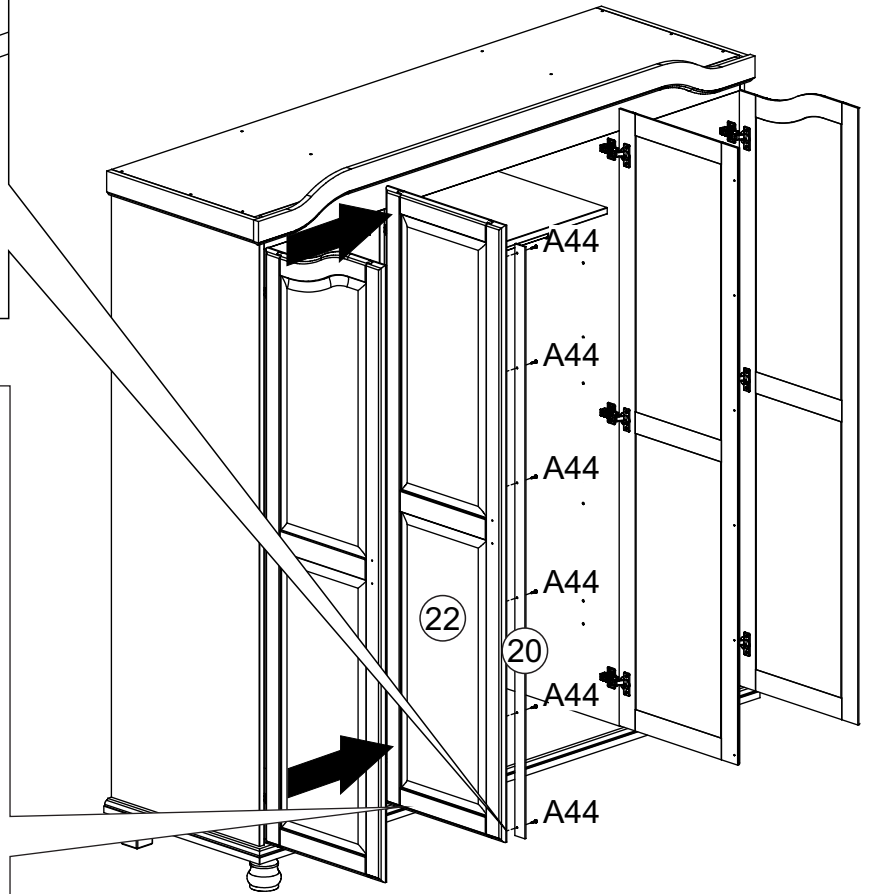
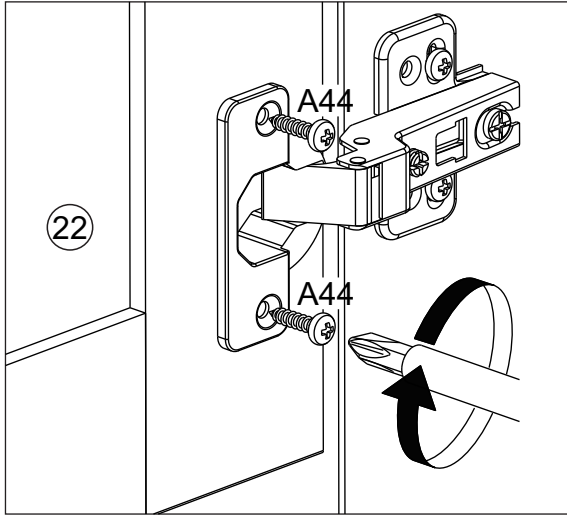
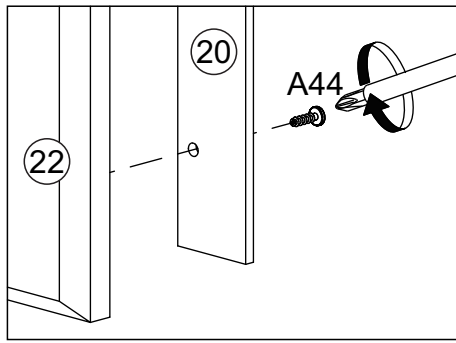
A44		06
3,5x14		

18)

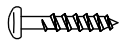


A44		06
3,5x14		

19)



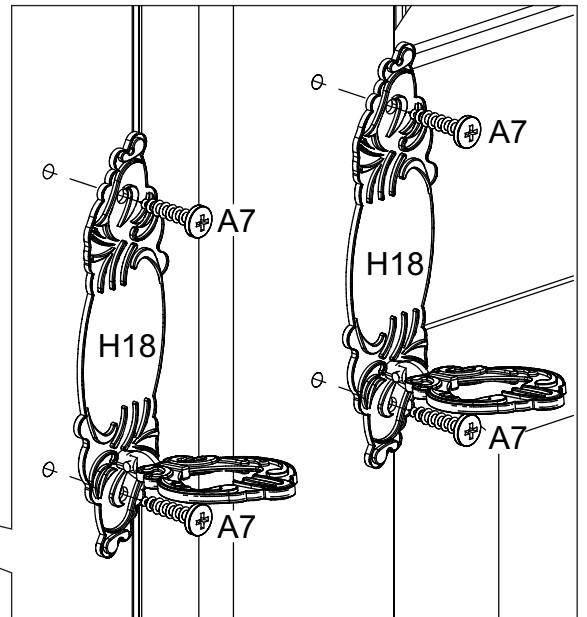
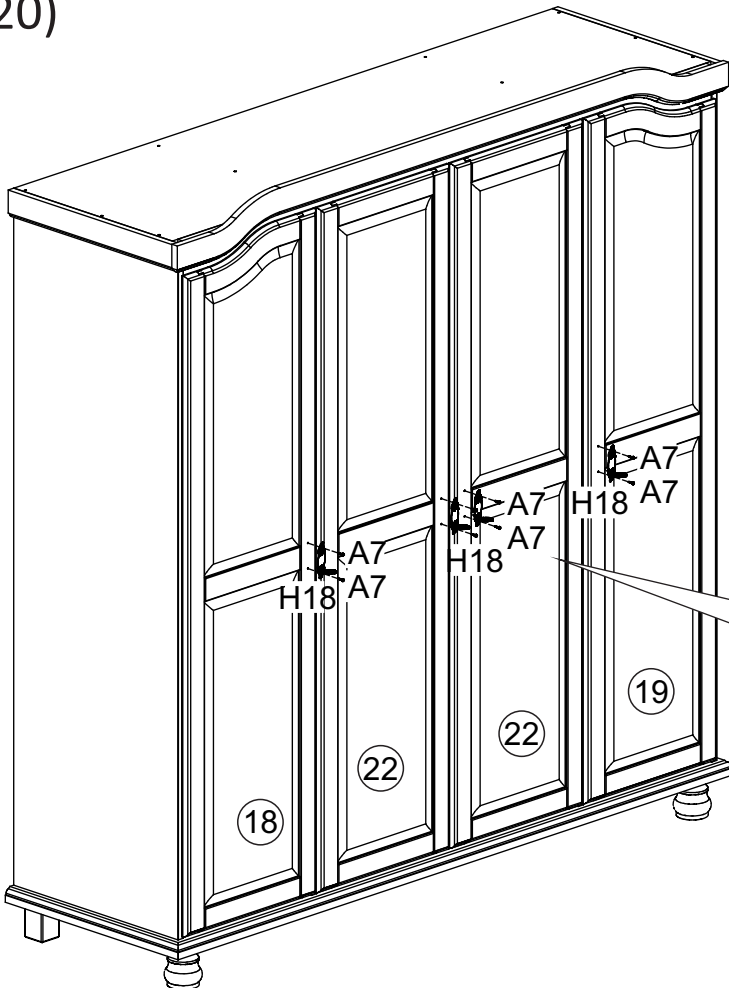
A44



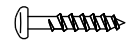
3.5x14

12

20)



A7



3.0x16

08

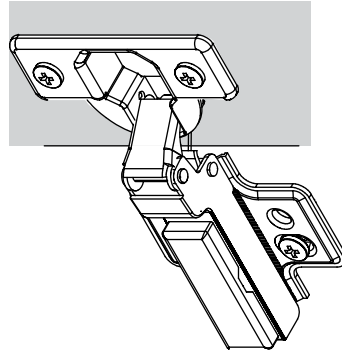
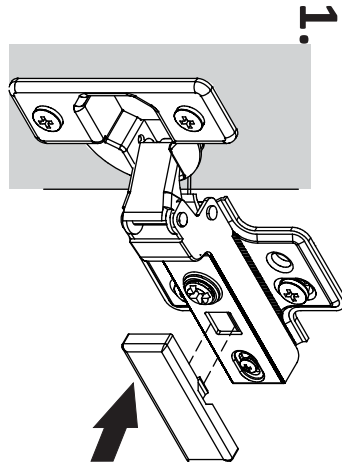
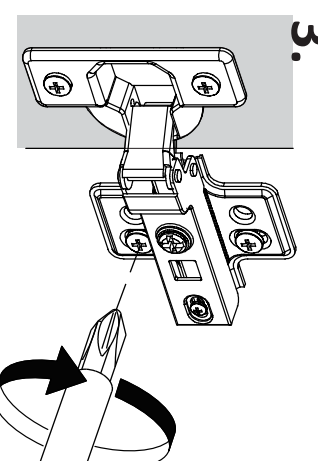
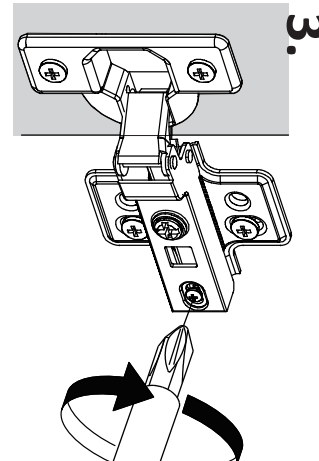
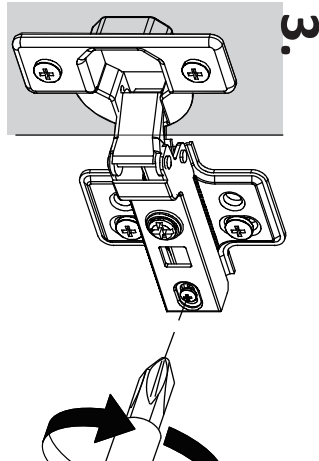
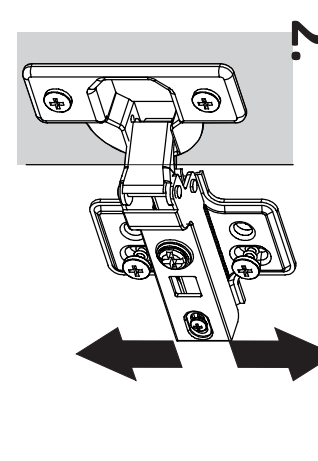
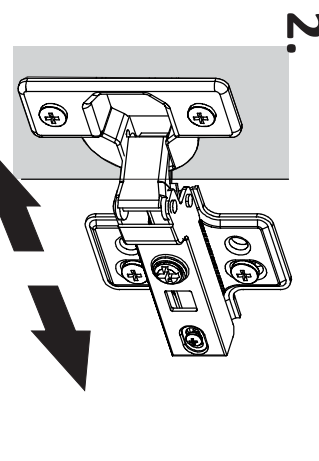
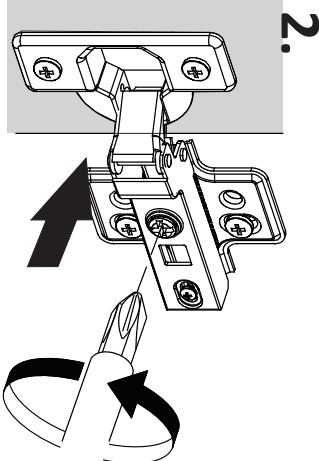
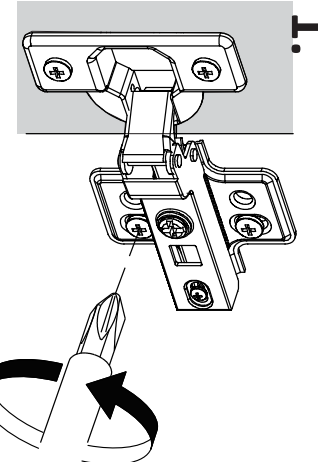
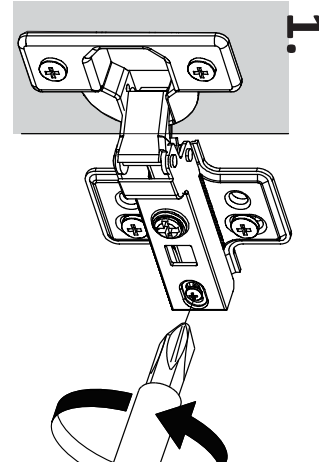
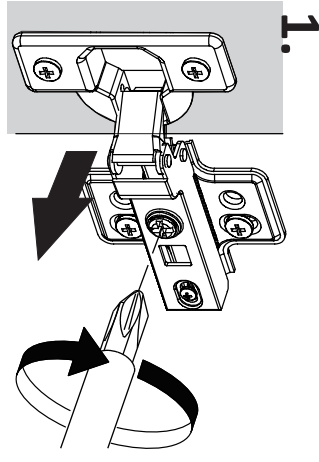
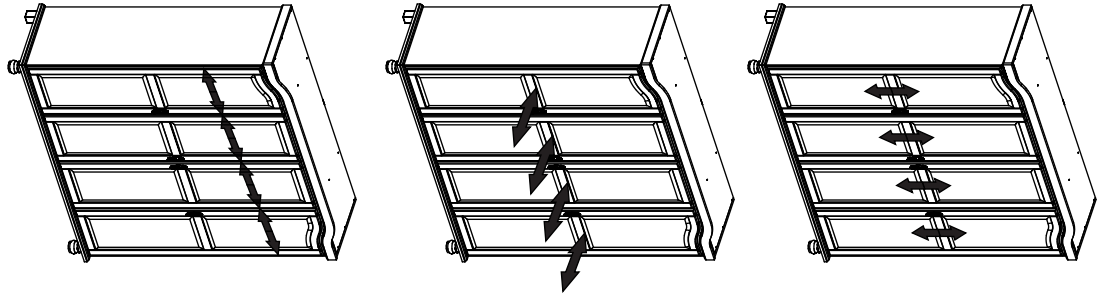
H18



04

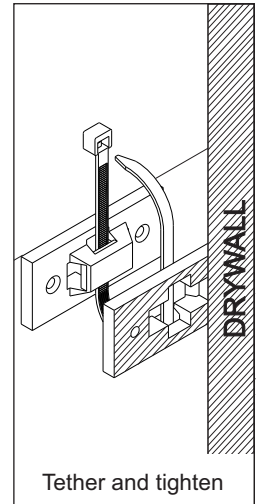
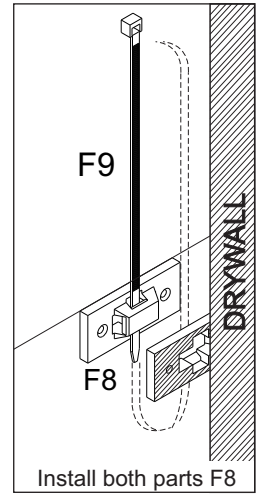
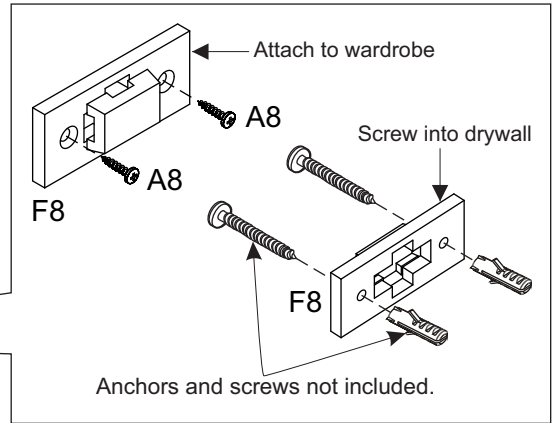
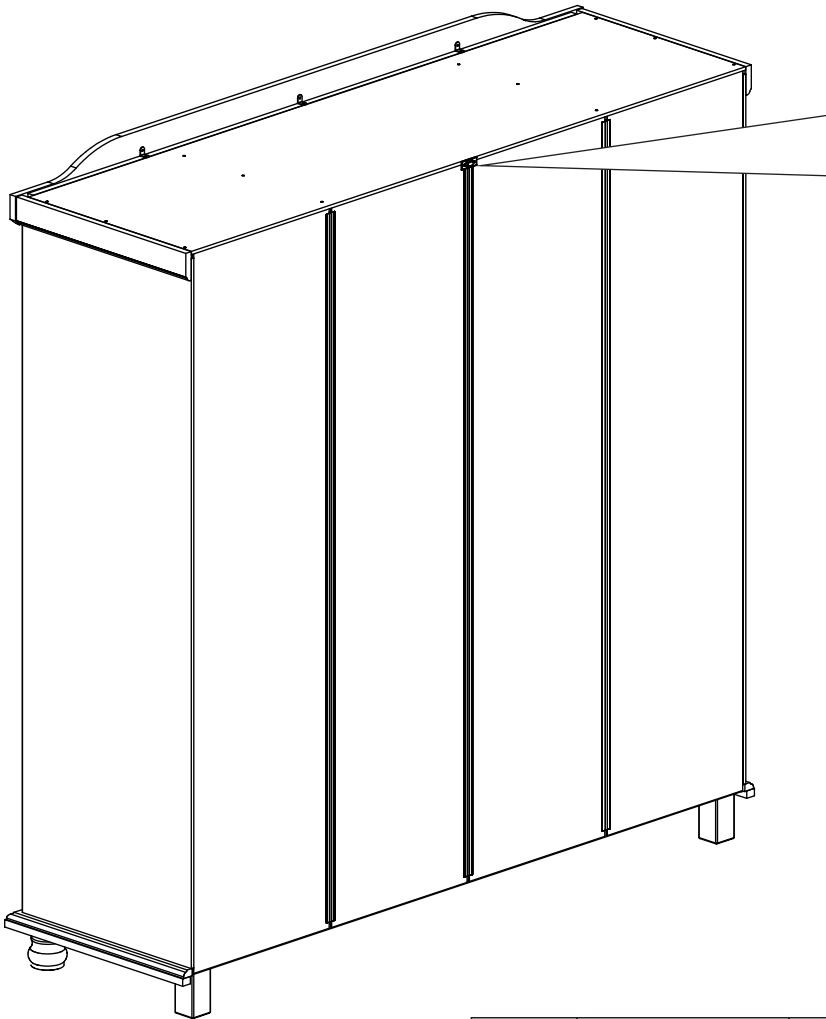
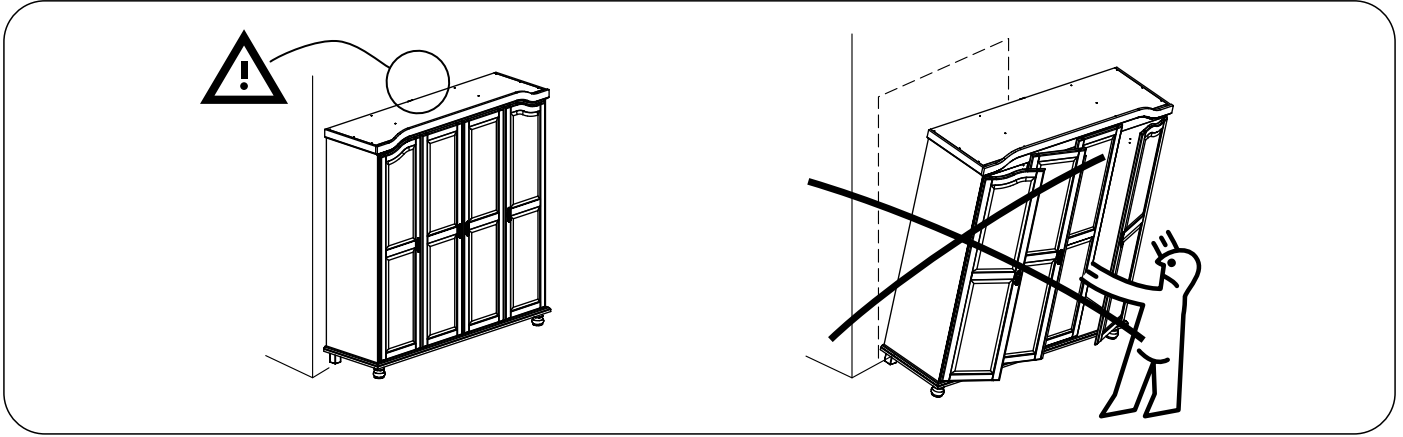
21)


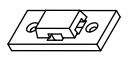

DOOR AND HINGE ADJUSTMENTS



22)

FURNITURE TIPOVER KIT



A8	 3.0x20	02
F8		02
F9		01