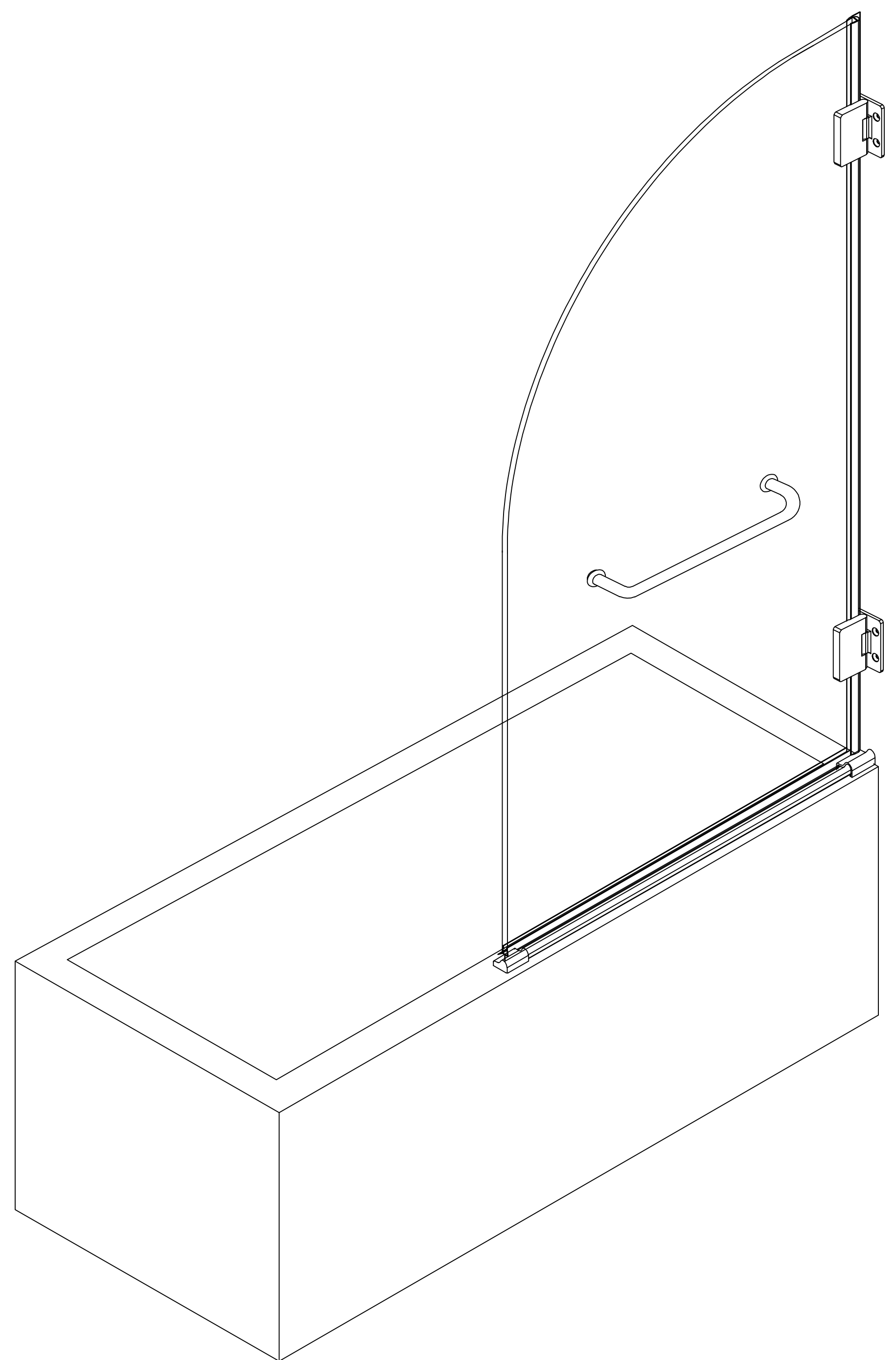


left-hand side shower  
screen installation

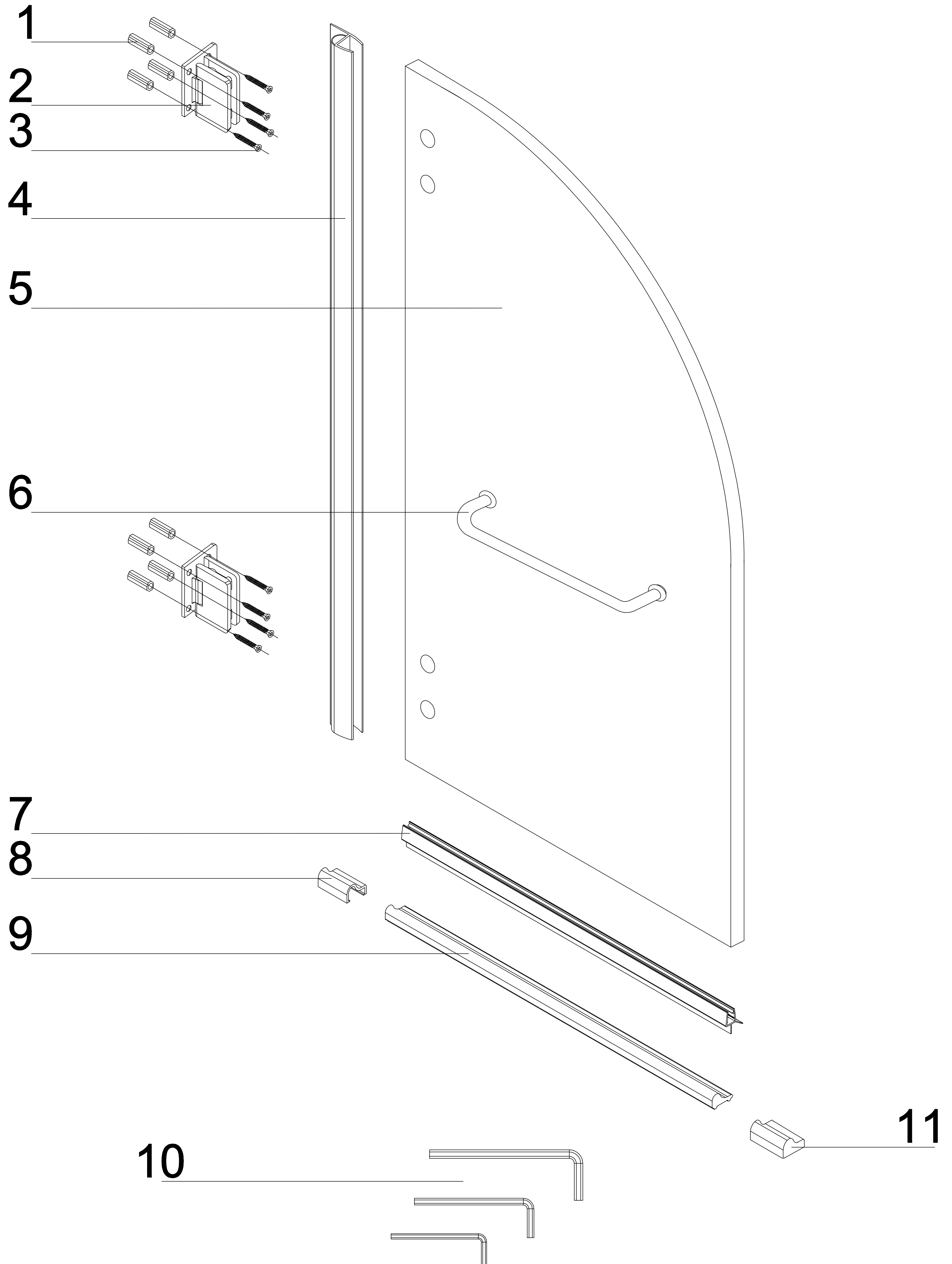


right-hand side shower  
screen installation

---

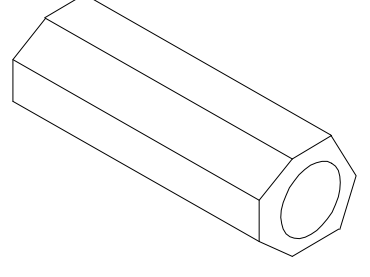
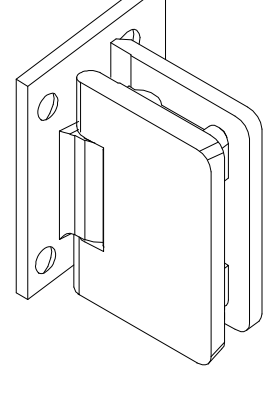
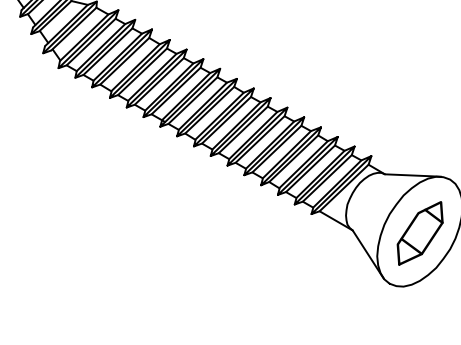
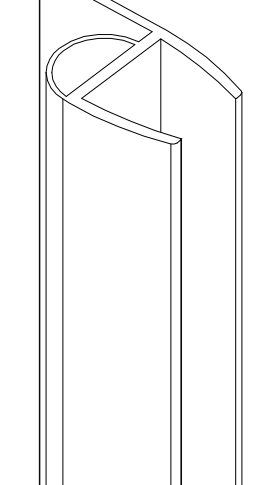
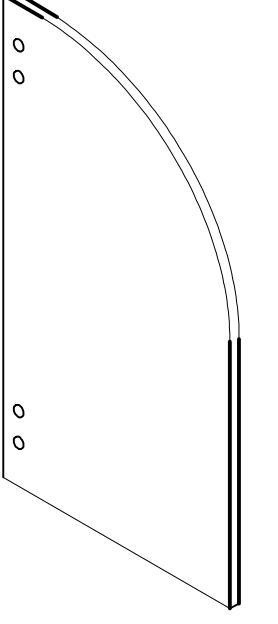
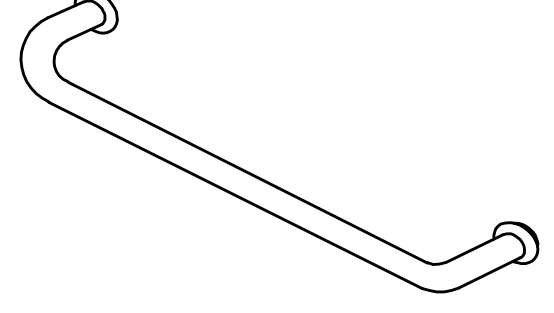
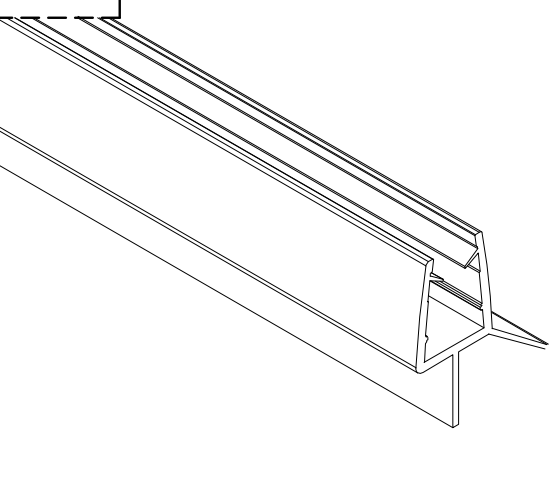
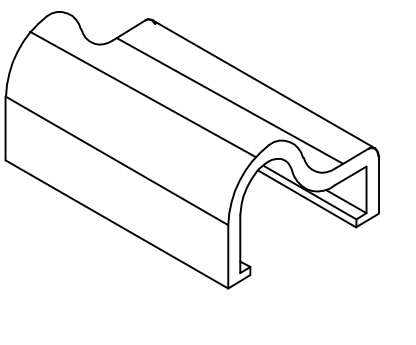
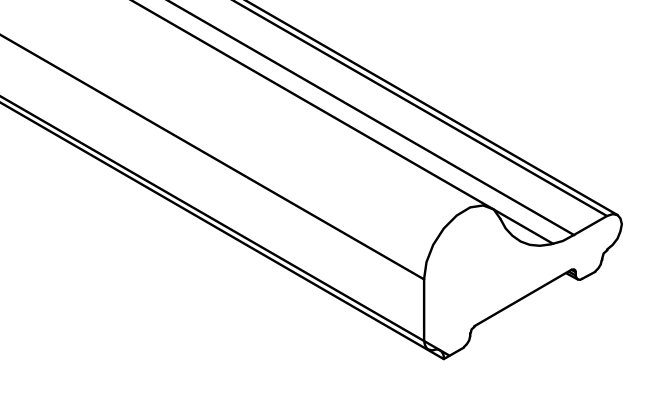
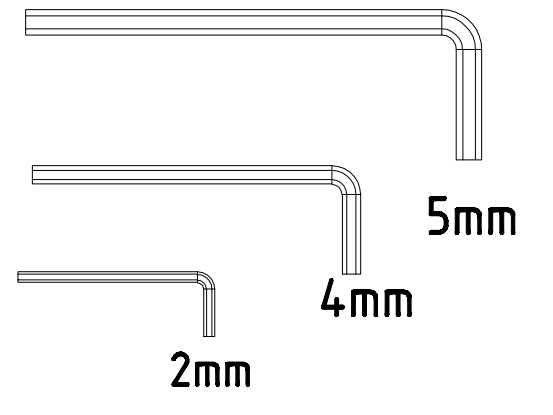
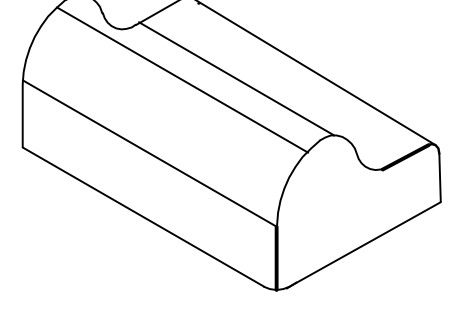
Customer Support: 1-877-897-1222  
After-sale service: [felyl@outlook.com](mailto:felyl@outlook.com)  
Hours of Operation: M-F 9 AM-5:00PM

# Detailed Diagram

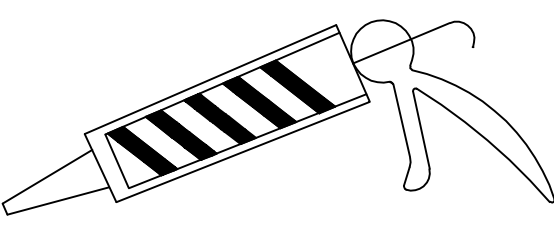
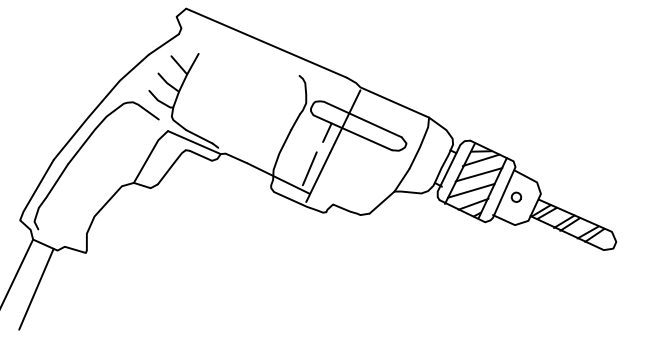
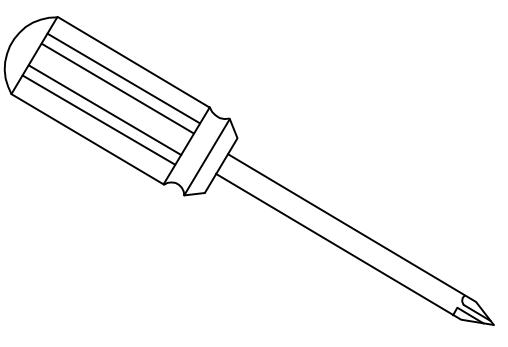
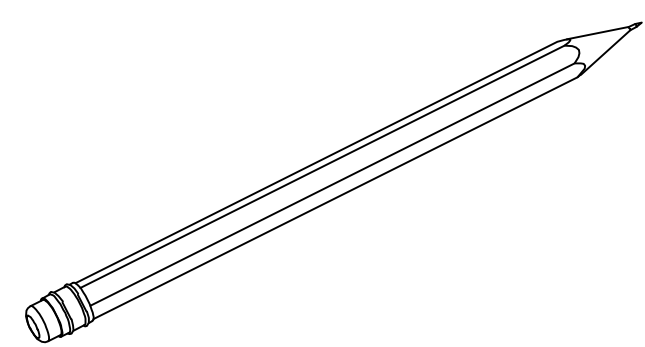
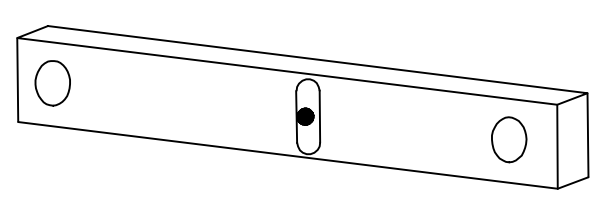
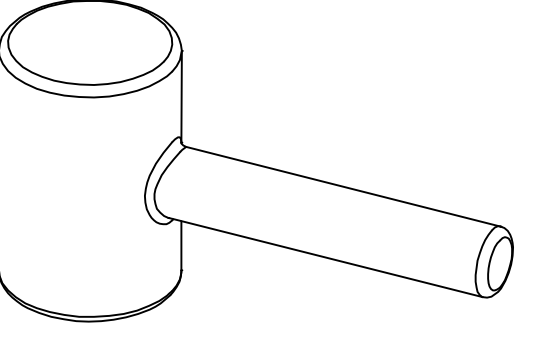
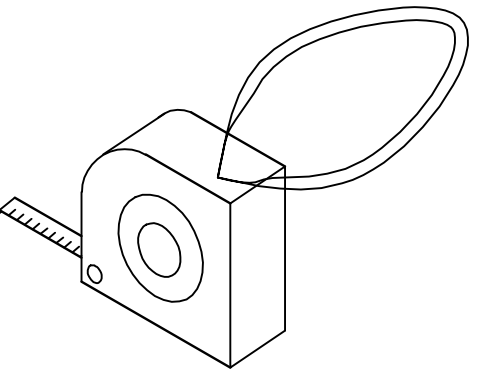

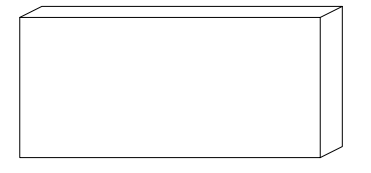
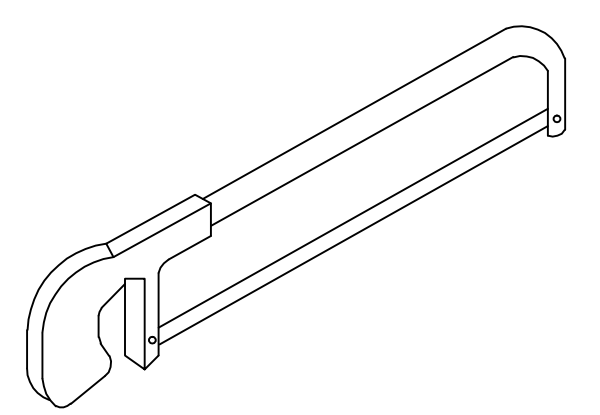




# PART LIST

Check all parts according to the list before assembly . Feel free to contact with us if you need assistance .

					
Plug8*36(8PCS)	Shower door hinge (2PCS)	Screw 5*40(8PCS)	Shower door side seal strip(1PC)	Shower screen door (1PC)	Shower door handle(1PC)
					
Shower door bottom seal strip (1PC)	Left-hand-side plastic connector(1 PC)	Aluminum strip(1 CP)	Allen key(3PCS)	Right-hand-side plastic connector(1 PC)	

## Recommended Tools

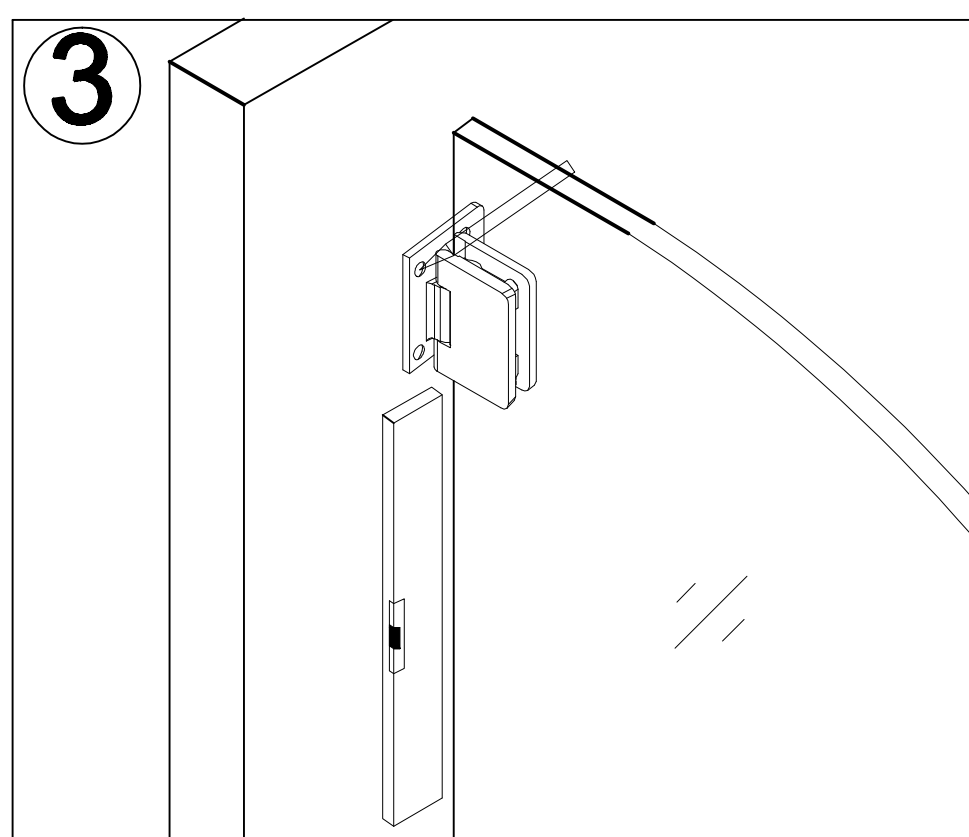
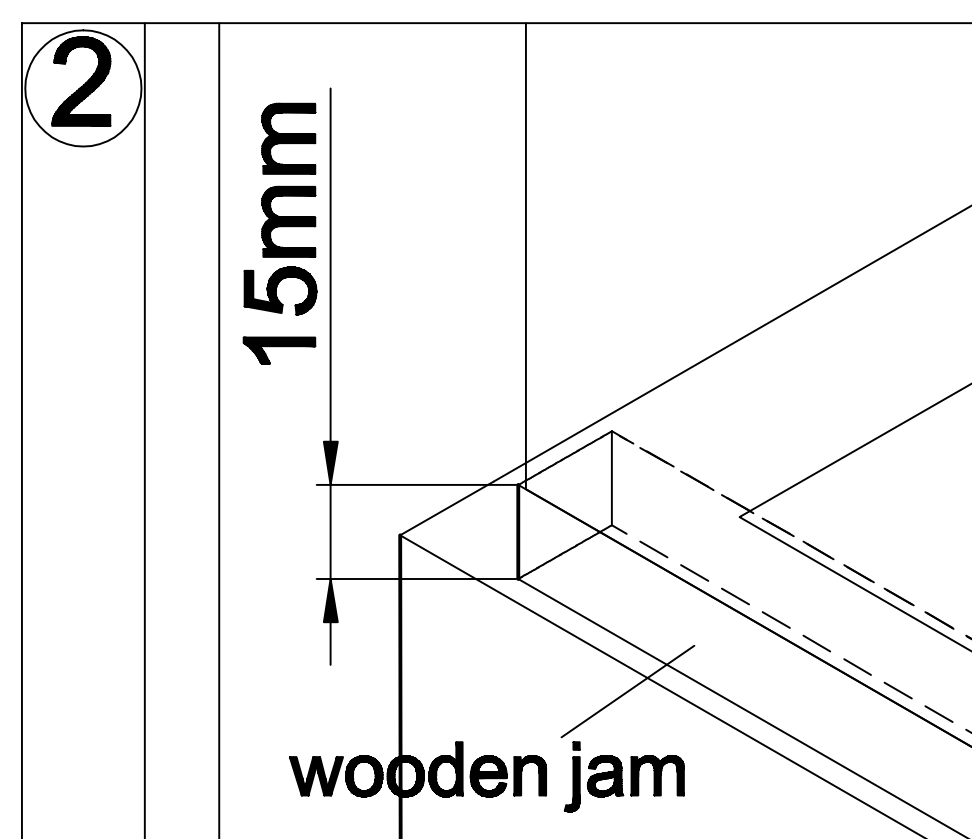
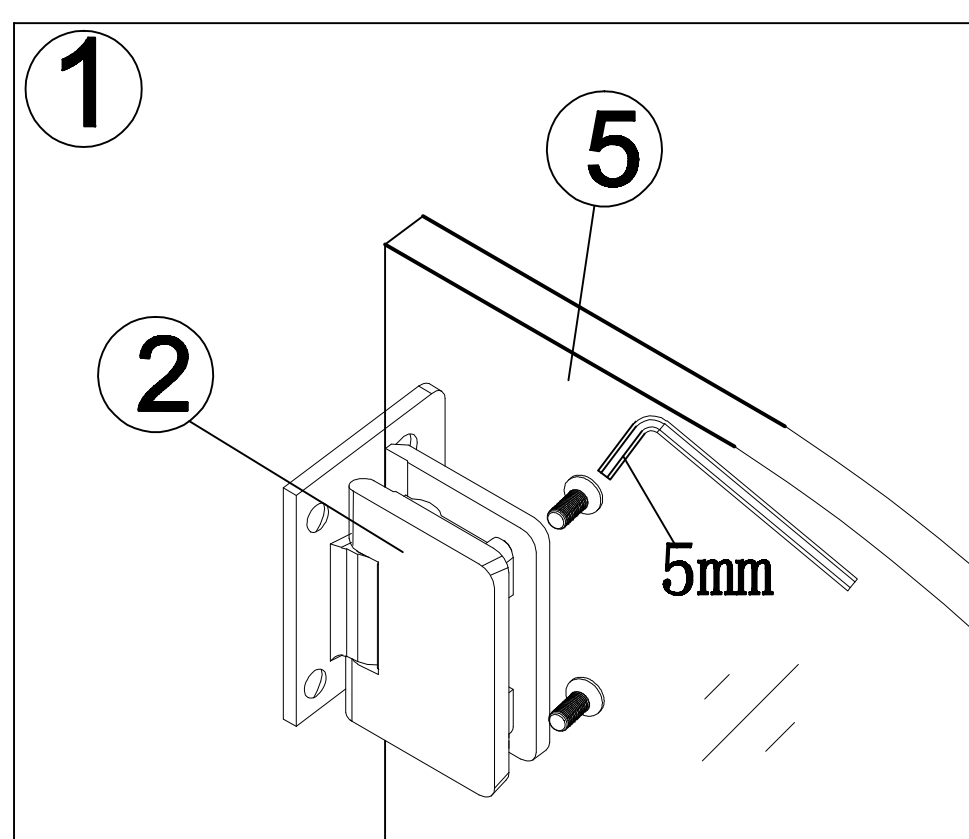
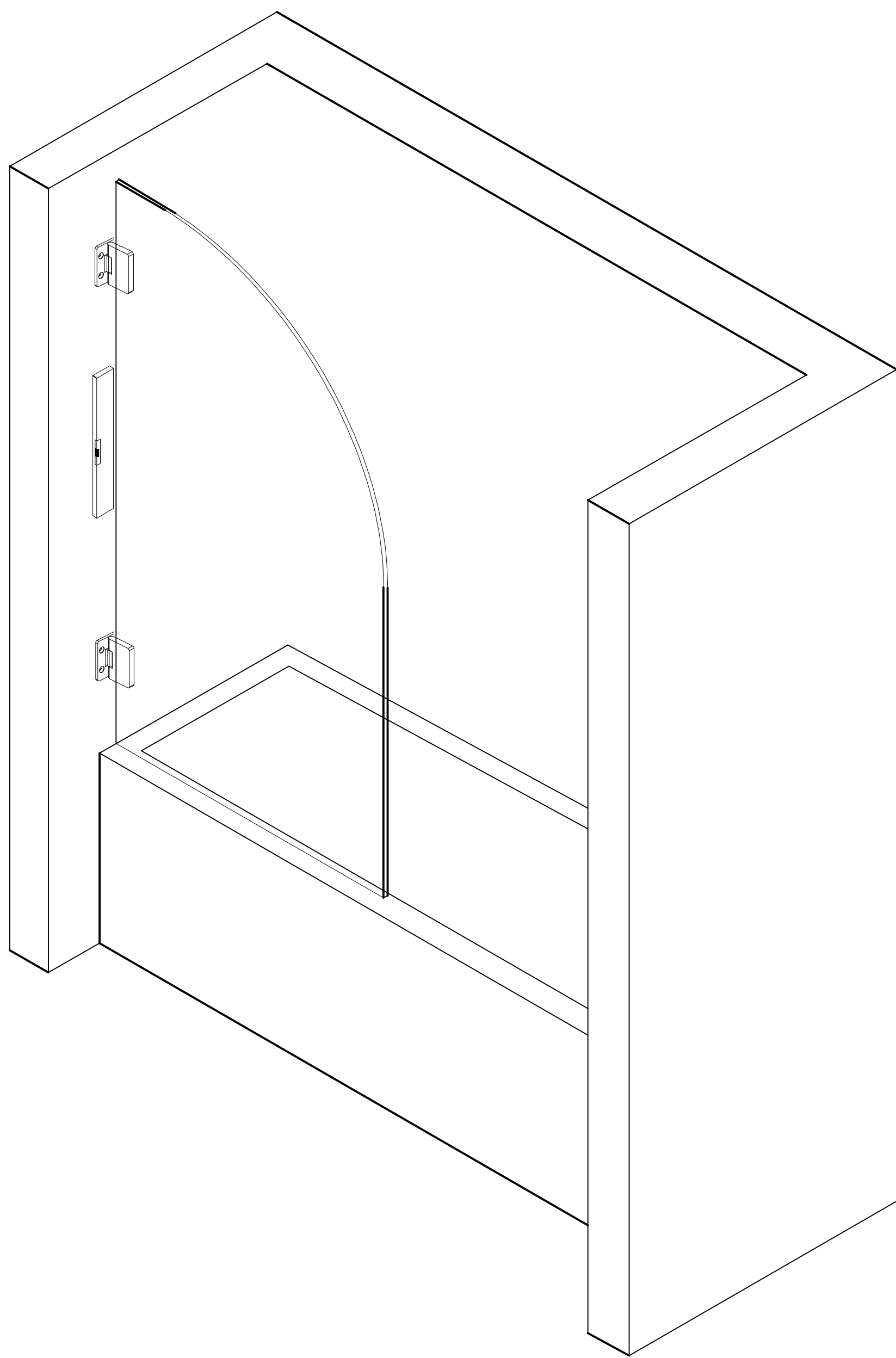
					
Silicone	Drill	Philips Screw Driver	Pencil	Level	Rubber Mallet
					
Tape Measure	Ø5/16" Drill Bit	Wooden Jam	Hacksaw	Safety Glass	Safety Gloves

\*Utilize Safety Glasses and Safety Gloves when constructing this shower door\*

## Left Hand Assembly

### STEP 1

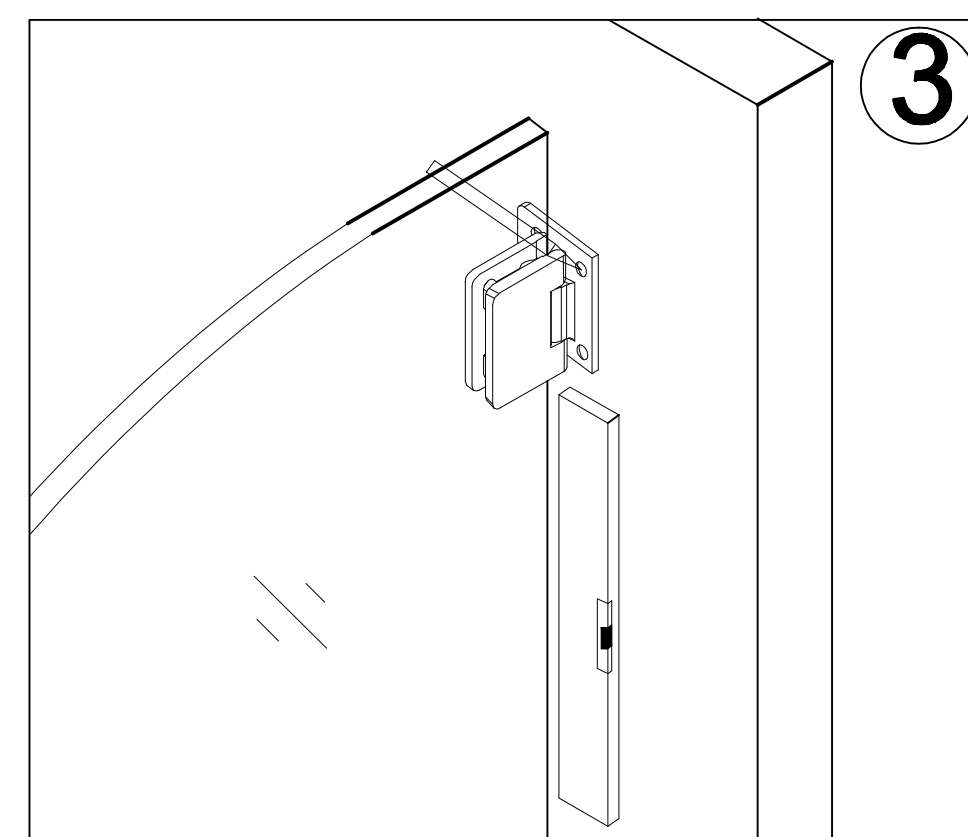
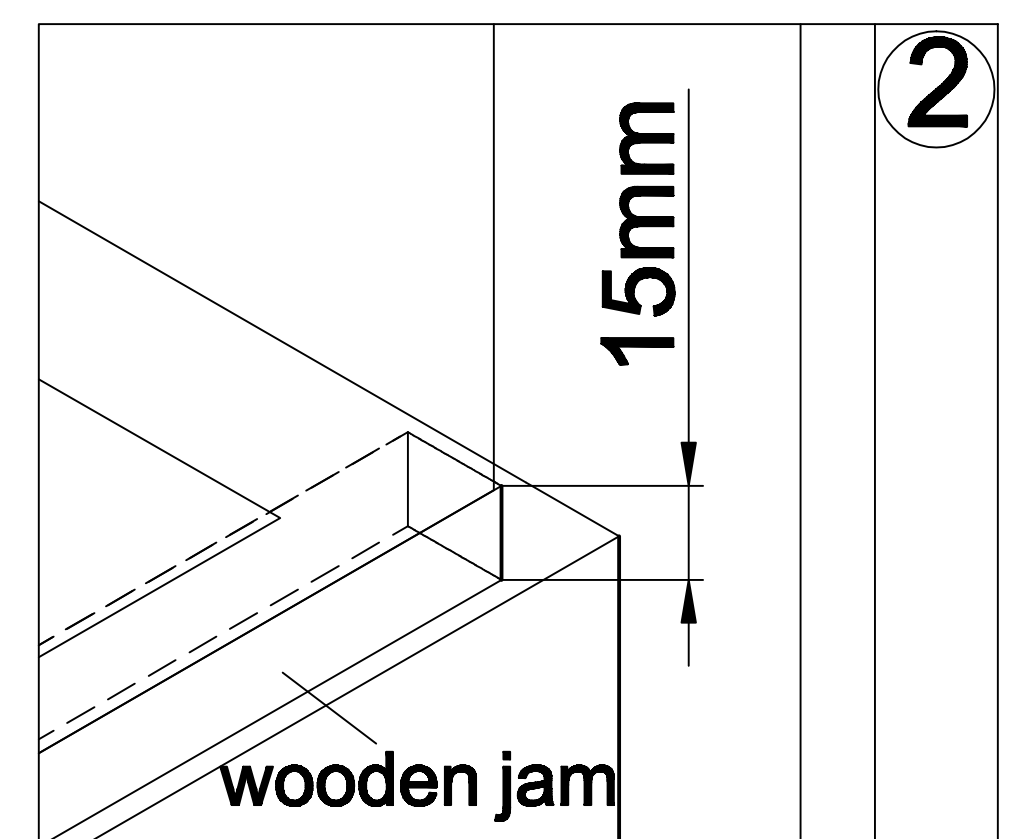
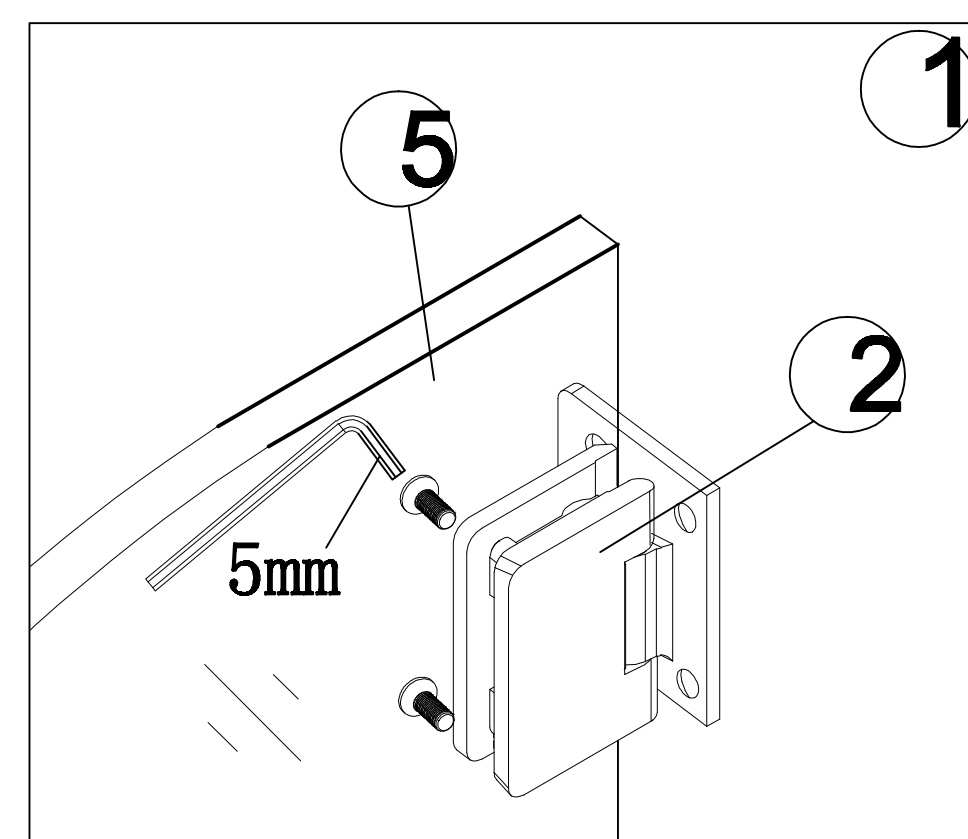
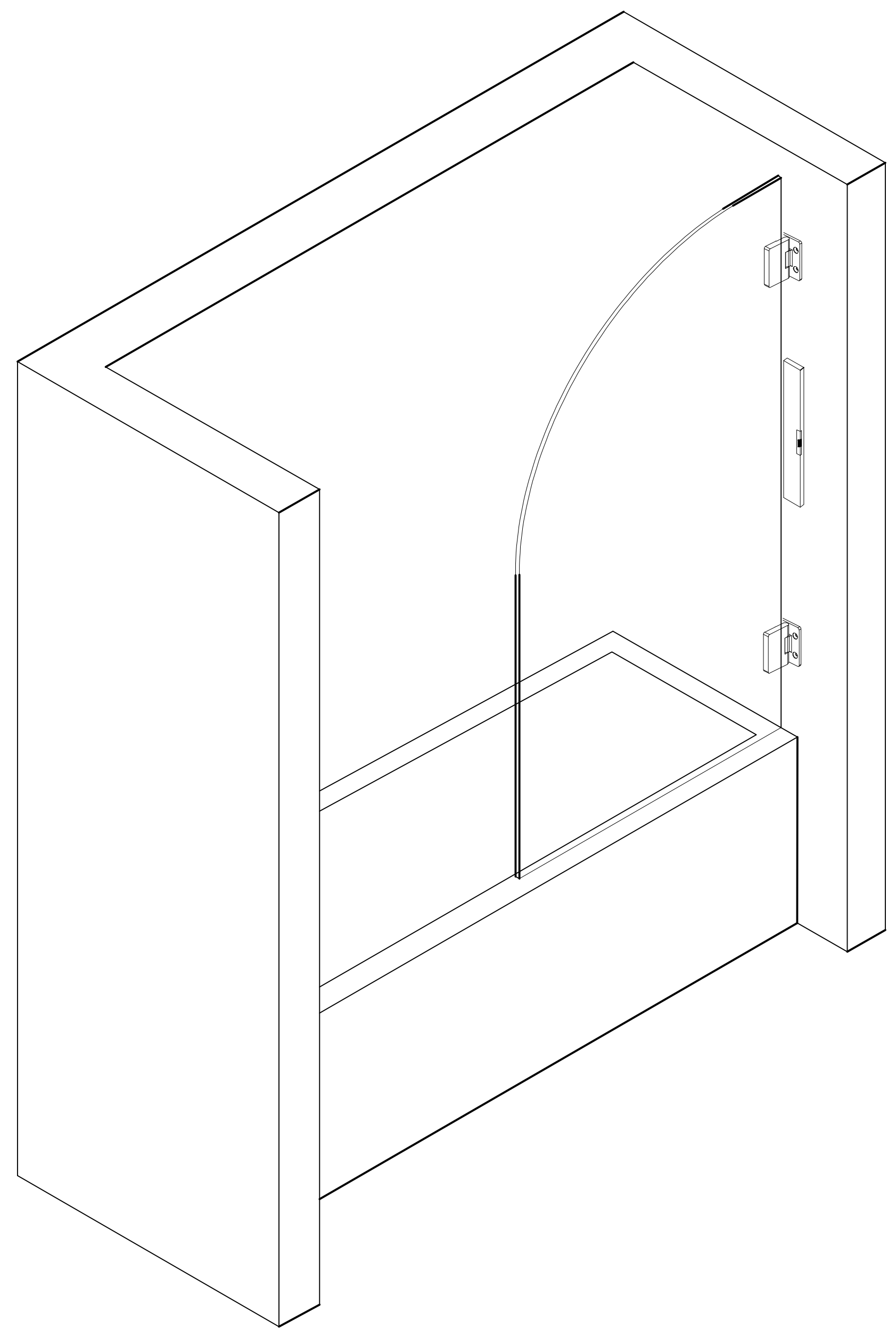
1. Install shower door hinge(2) onto shower screen door(5).
2. Place the wooden jam under the glass to support the glass and mark the hole.
3. Attach shower screen door(5) to the wall and leave 15mm gap between the door bottom and bathtub's top surface. Make sure it aligns straight with level and mark the hole position of hinge(2) with pencil.



## Right Hand Assembly

### STEP 1

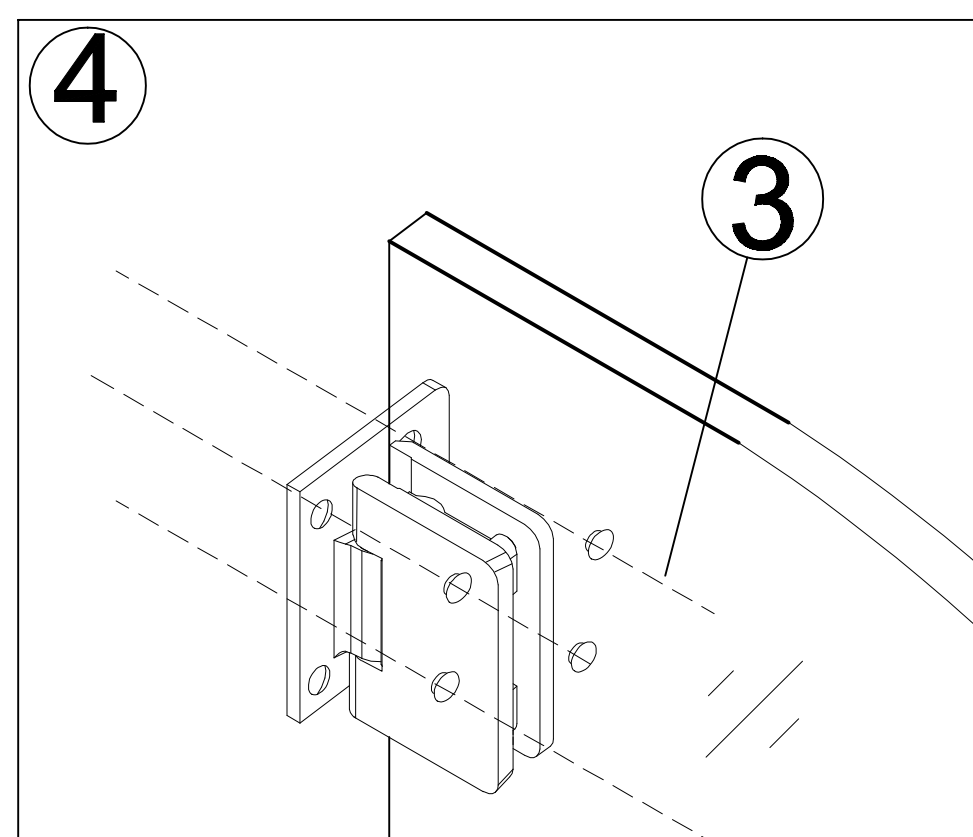
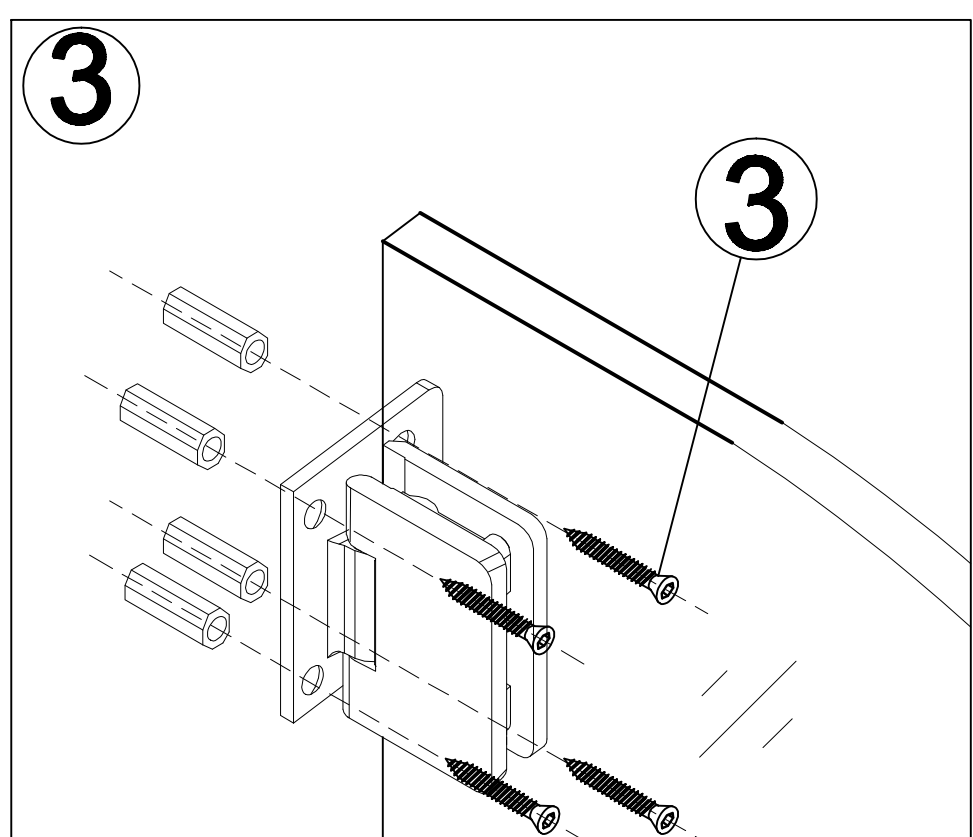
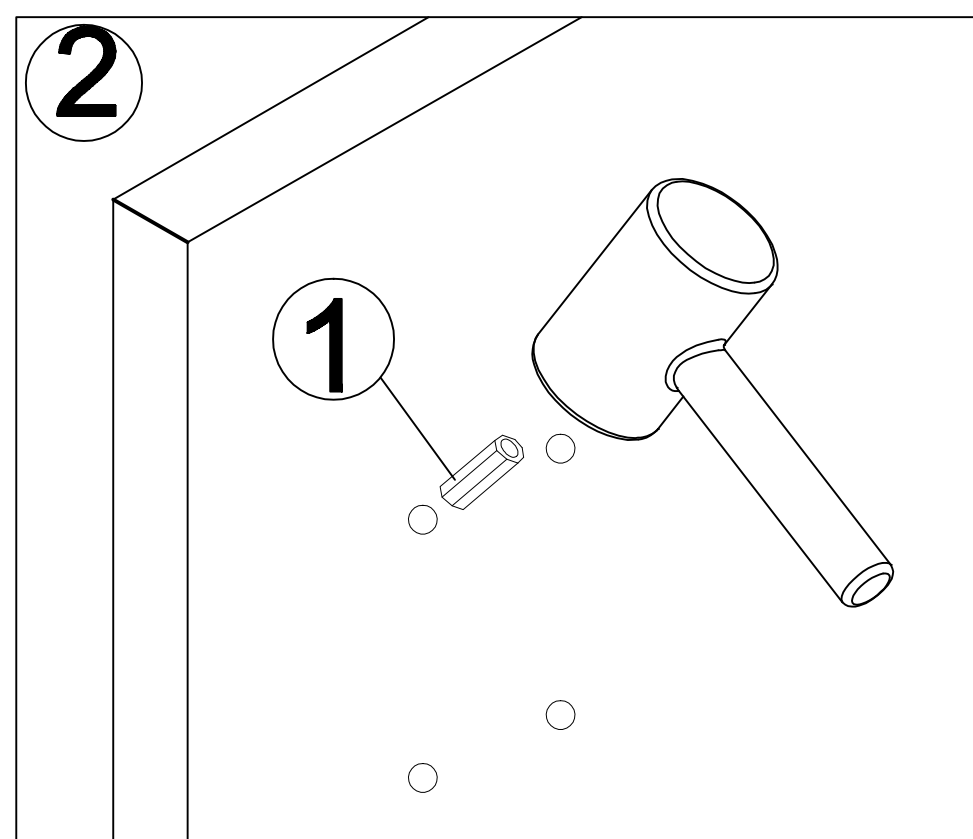
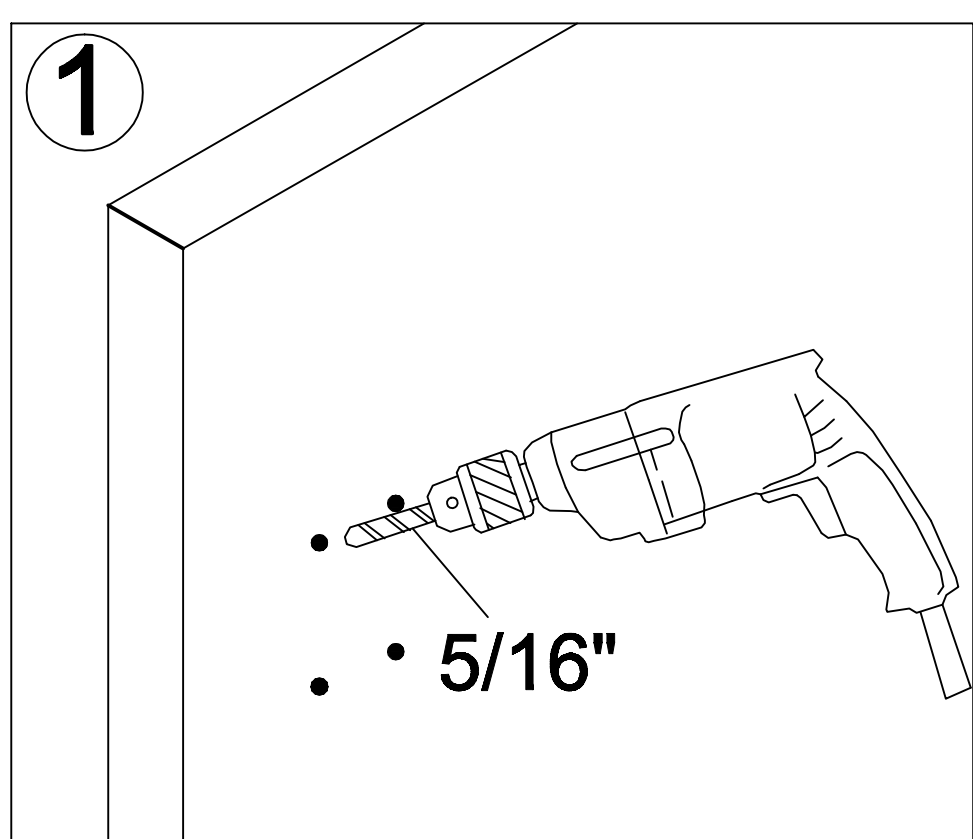
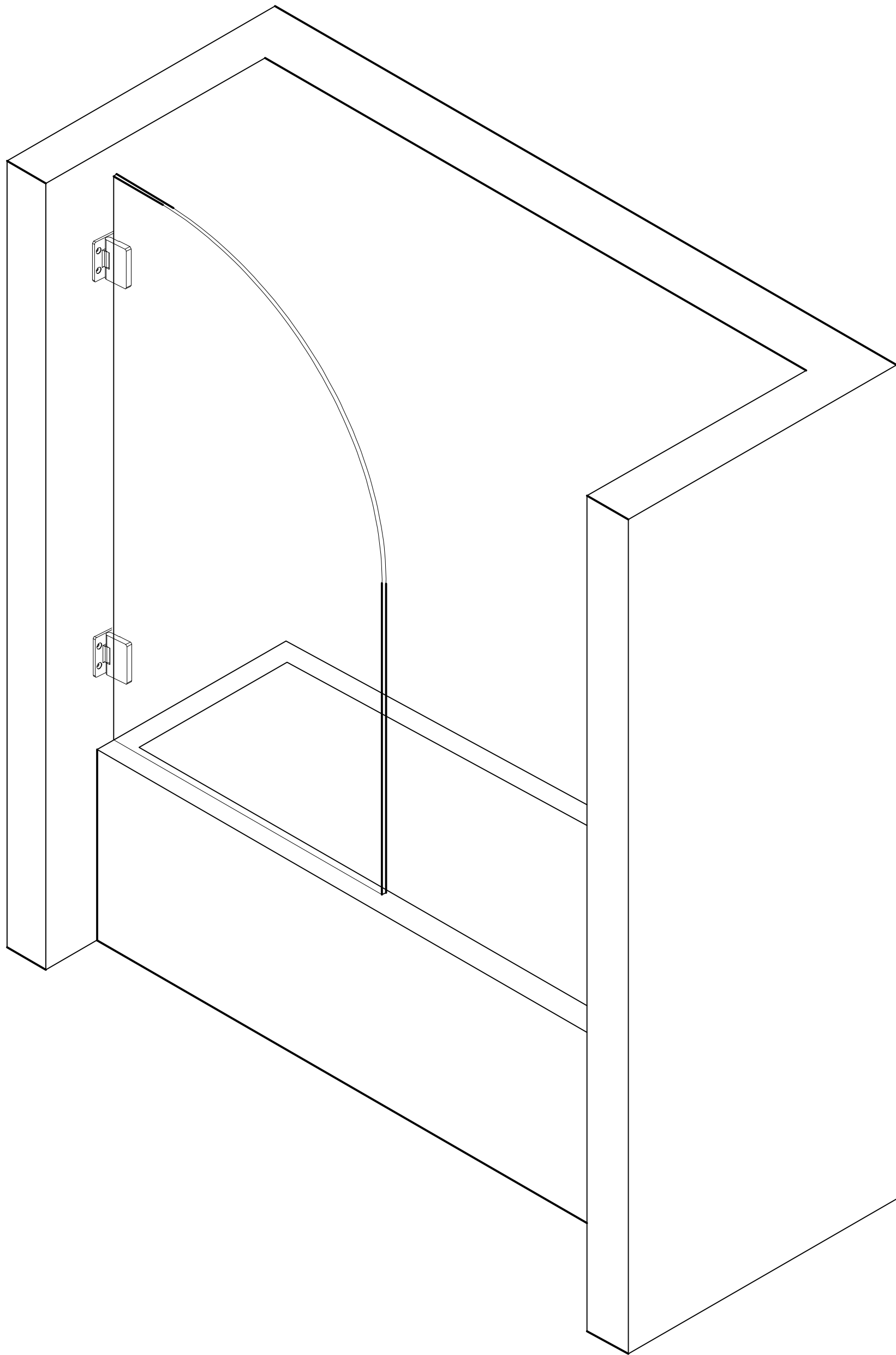
1. Install shower door hinge(2) onto shower screen door(5).
2. Place the wooden jam under the glass to support the glass and mark the hole.
3. Attach shower screen door(5) to the wall and leave 15mm gap between the door bottom and bathtub's top surface. Make sure it aligns straight with level and mark the hole position of hinge(2) with pencil.



## Left Hand Assembly

### STEP 2

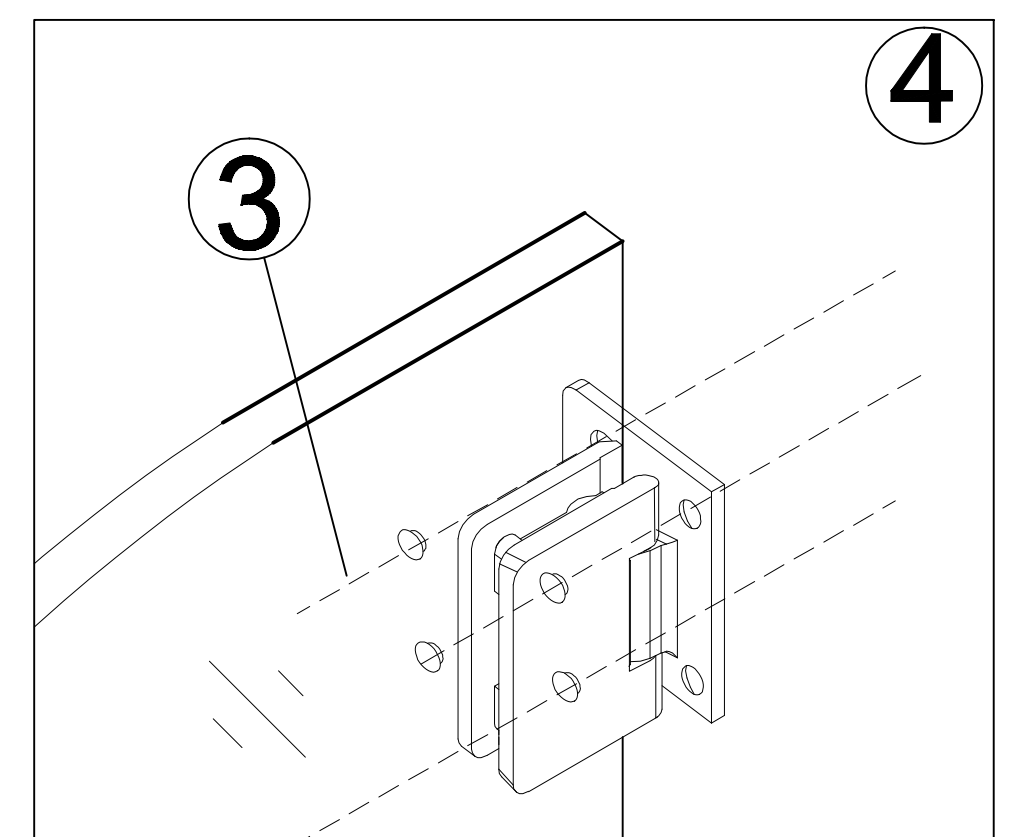
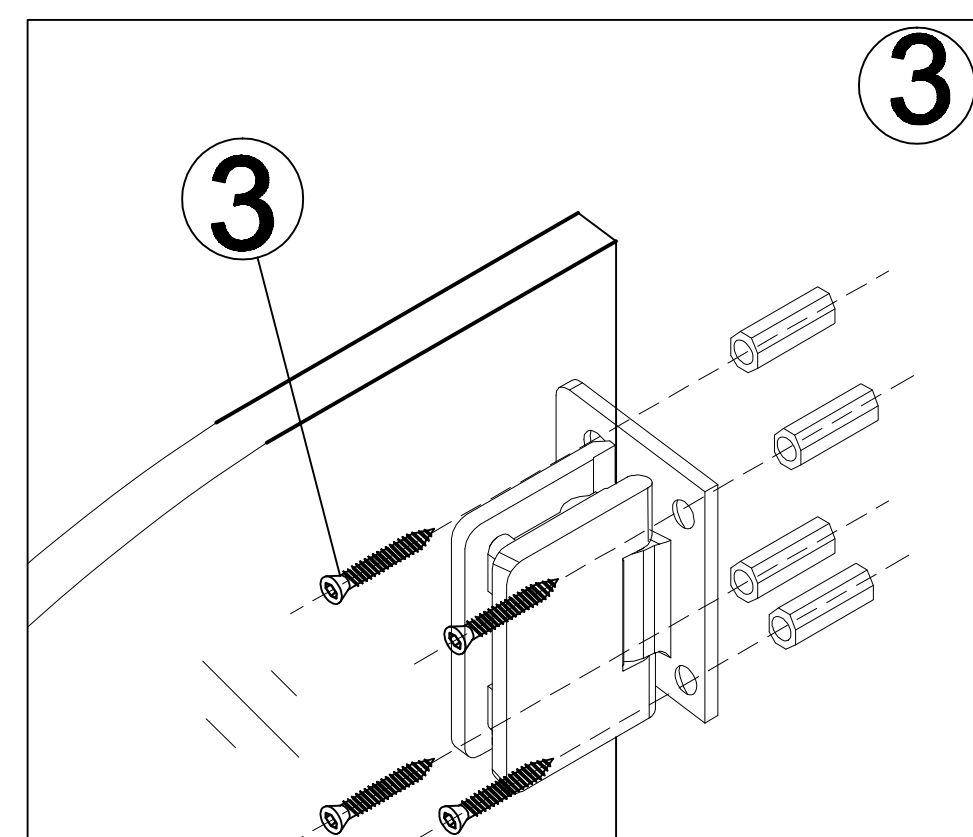
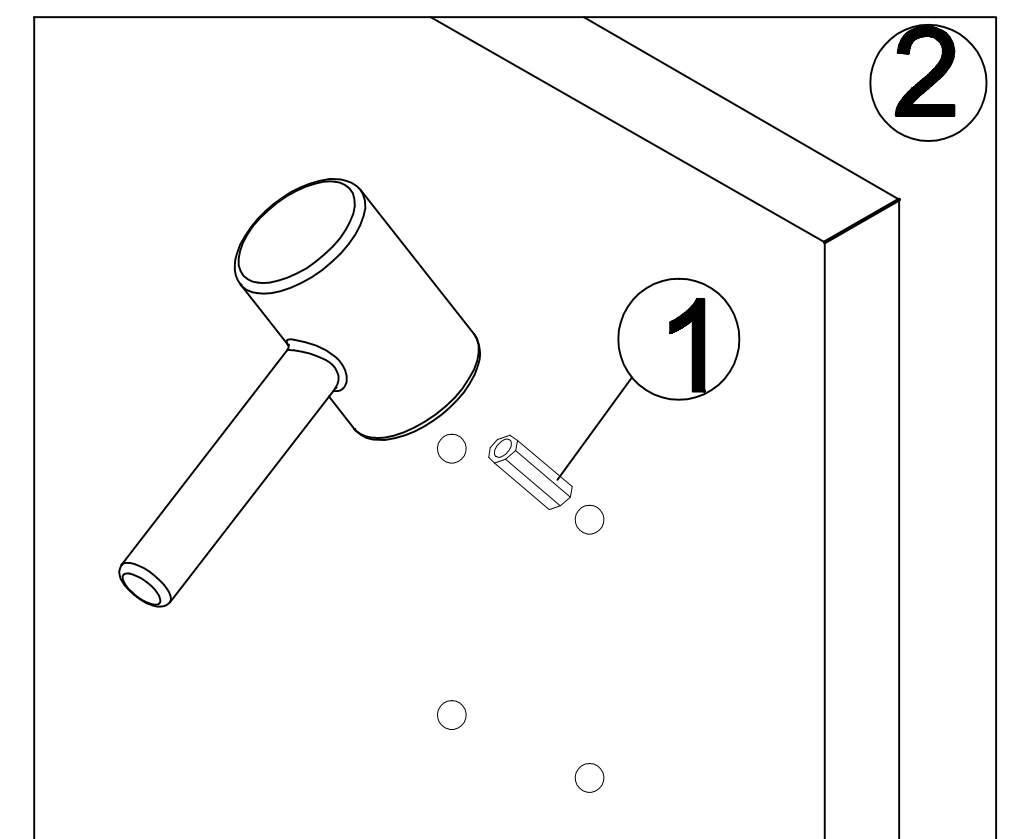
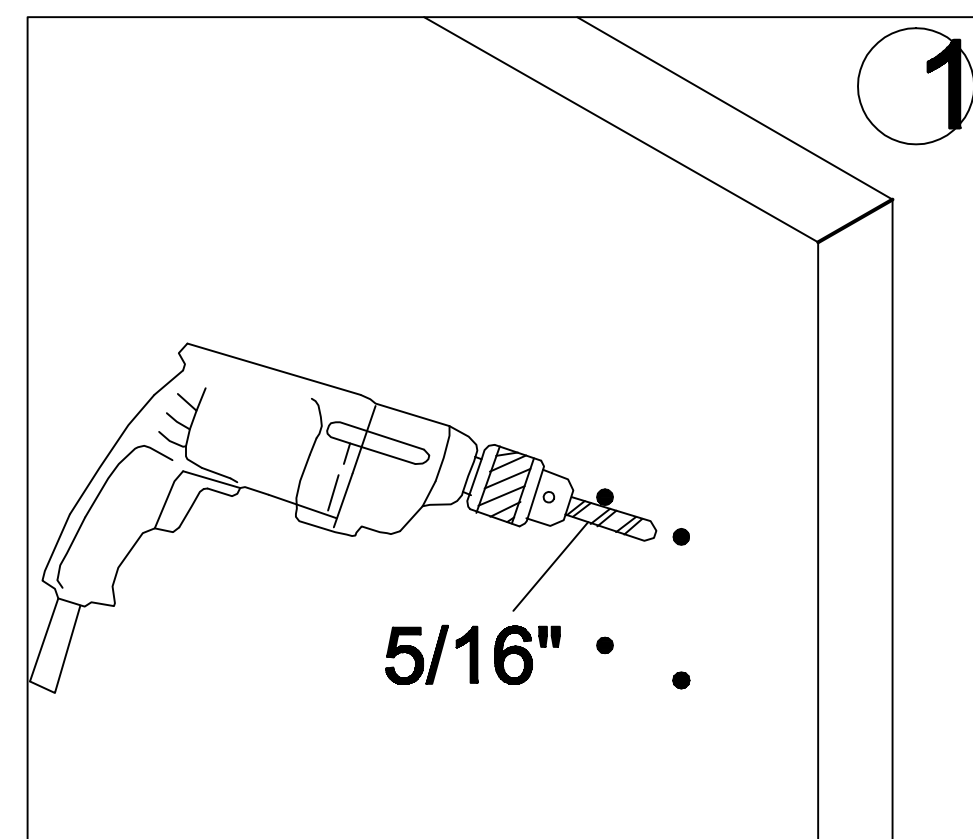
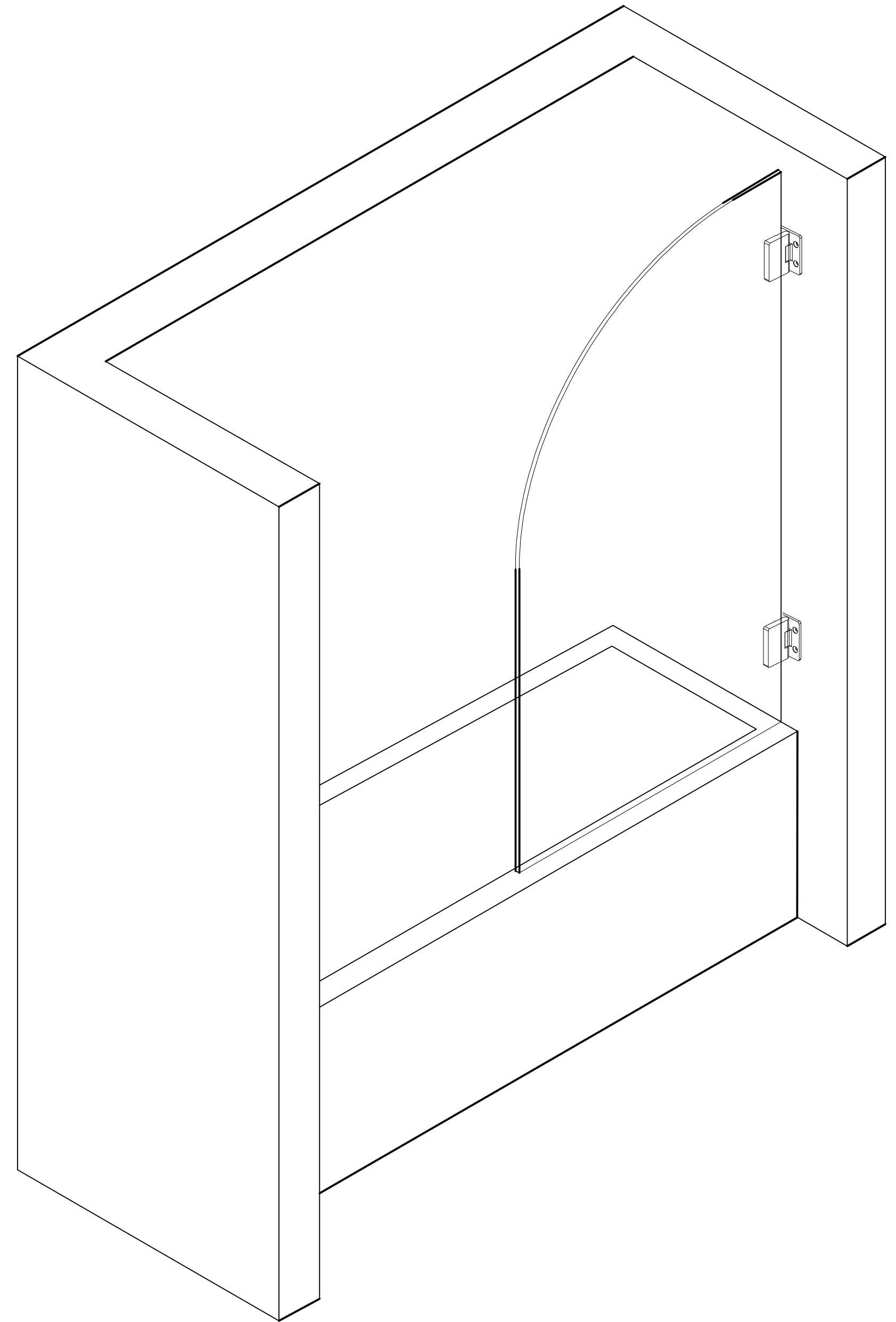
1. Take off the shower screen door(5), and drill through the pencil markings.
2. Insert the plug(1) into the hole and use Rubber Mallet to hit it until it's fully in.
3. Align the shower screen door to the wall and use screw 5x40(3) to screw tight the hinge(2).
4. Put the screws cover.



## Right Hand Assembly

### STEP 2

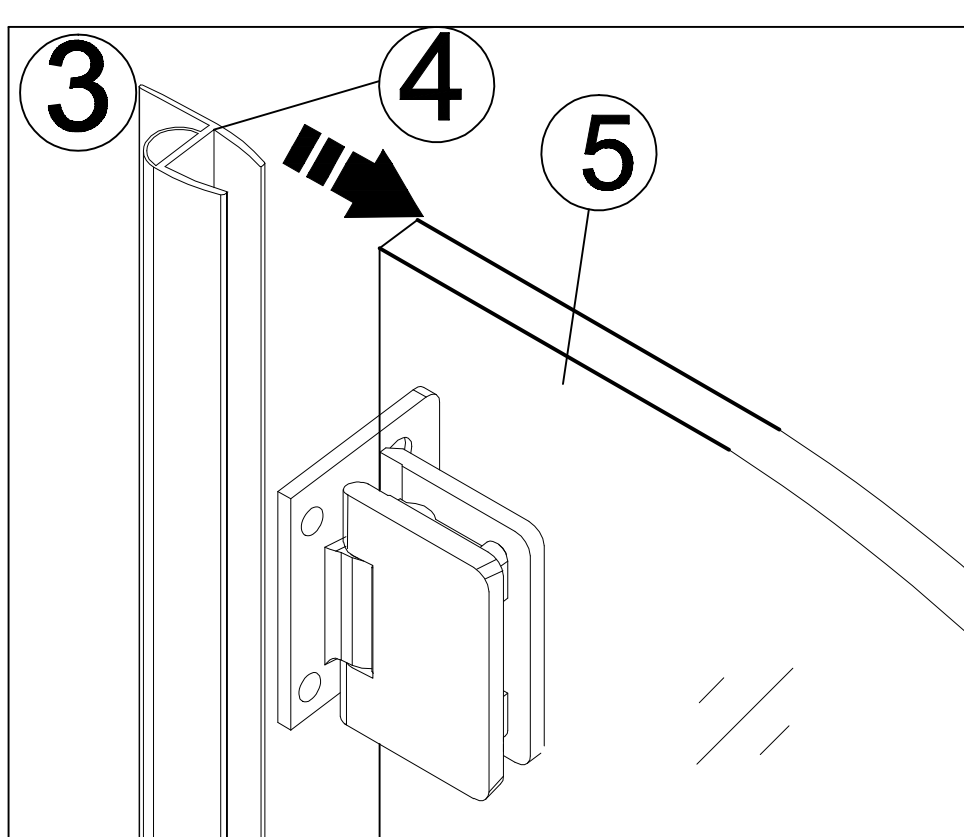
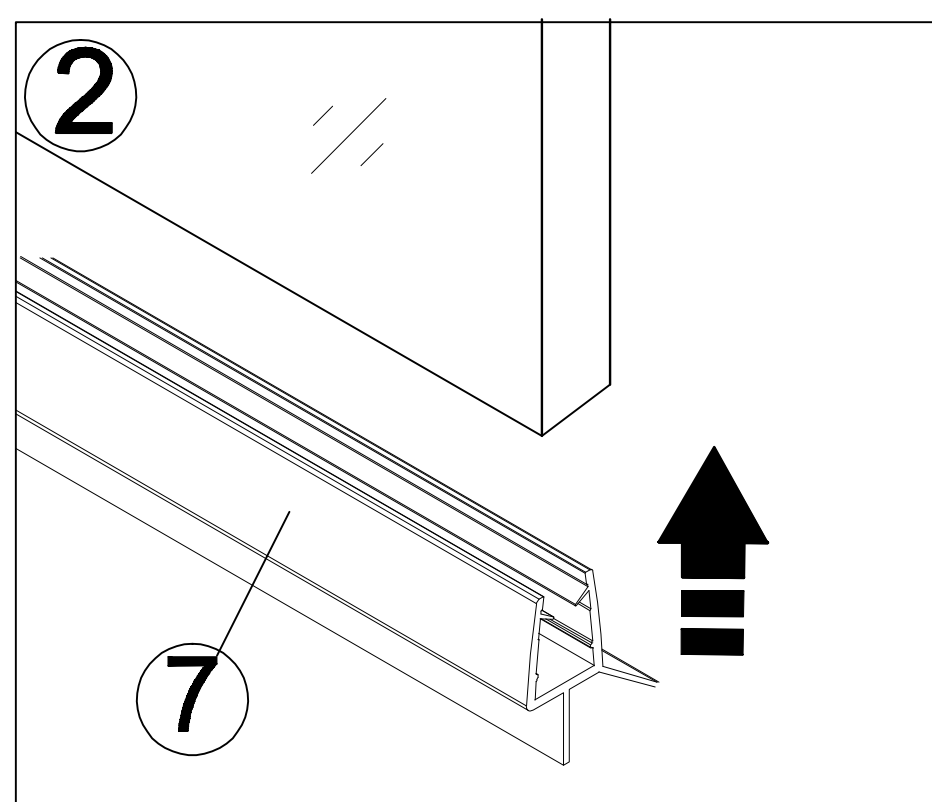
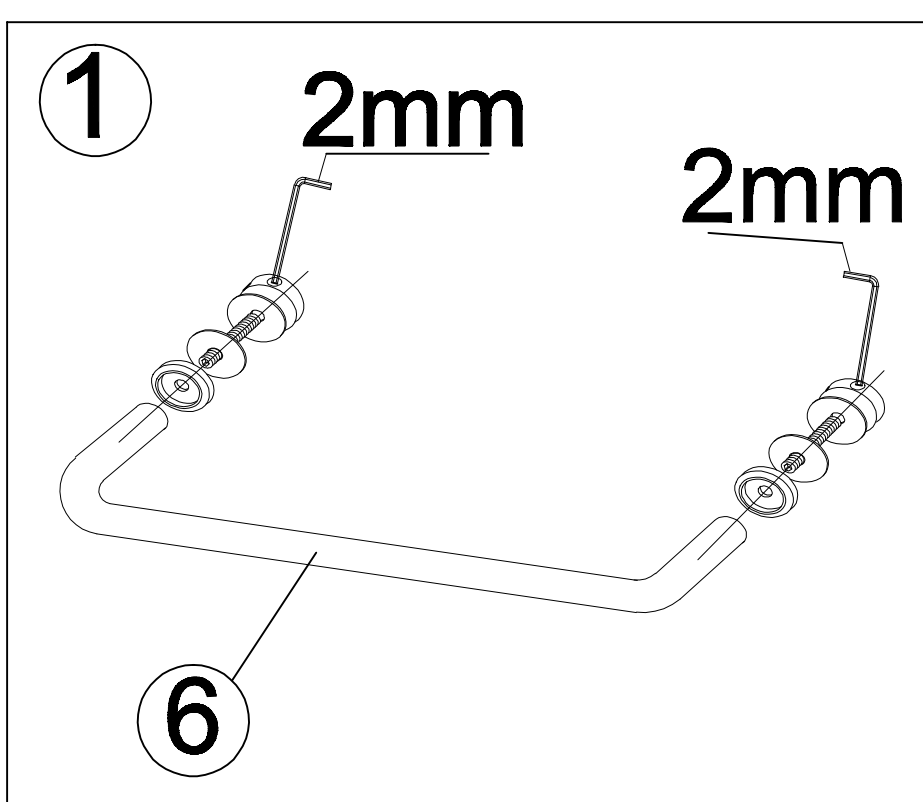
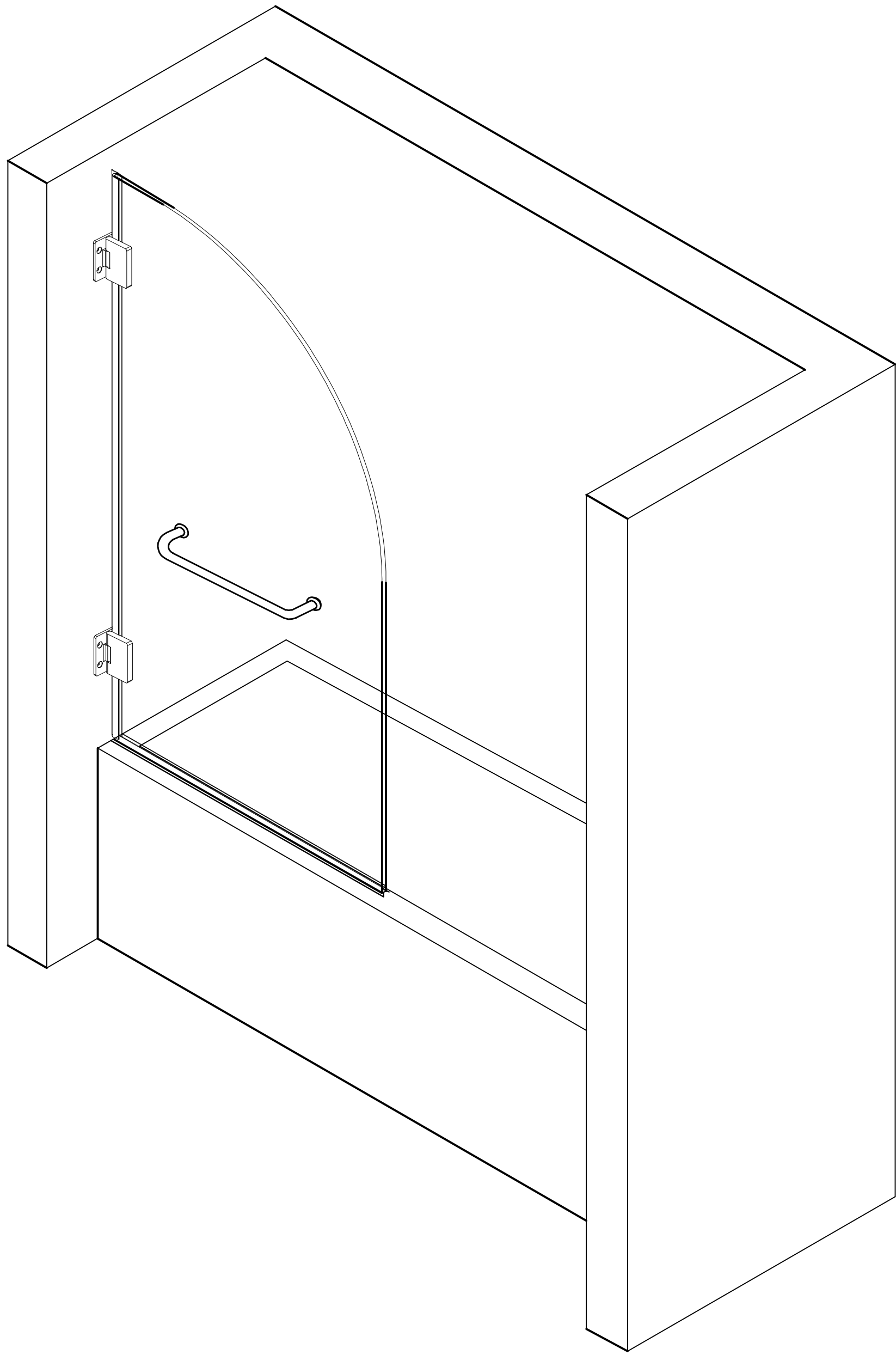
1. Take off the shower screen door(5), and drill through the pencil markings.
2. Insert the plug(1) into the hole and use Rubber Mallet to hit it until it's fully in.
3. Align the shower screen door to the wall and use screw 5x40(3) to screw tight the hinge(2).
4. Put the screws cover.



## Left Hand Assembly

### STEP 3

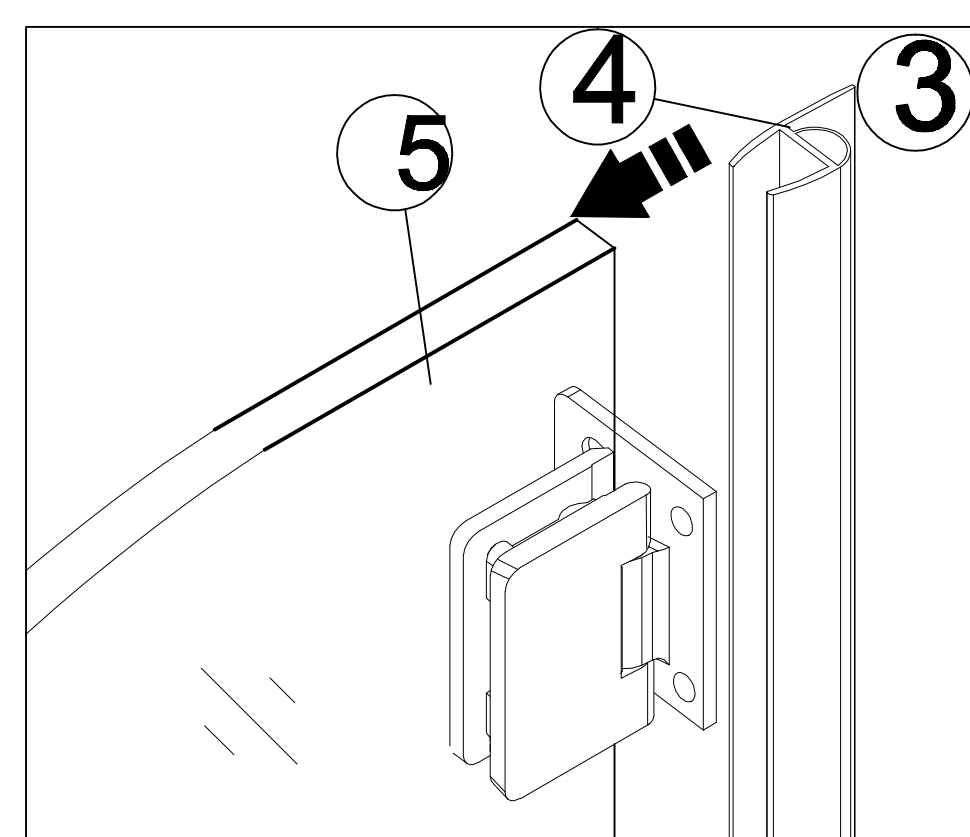
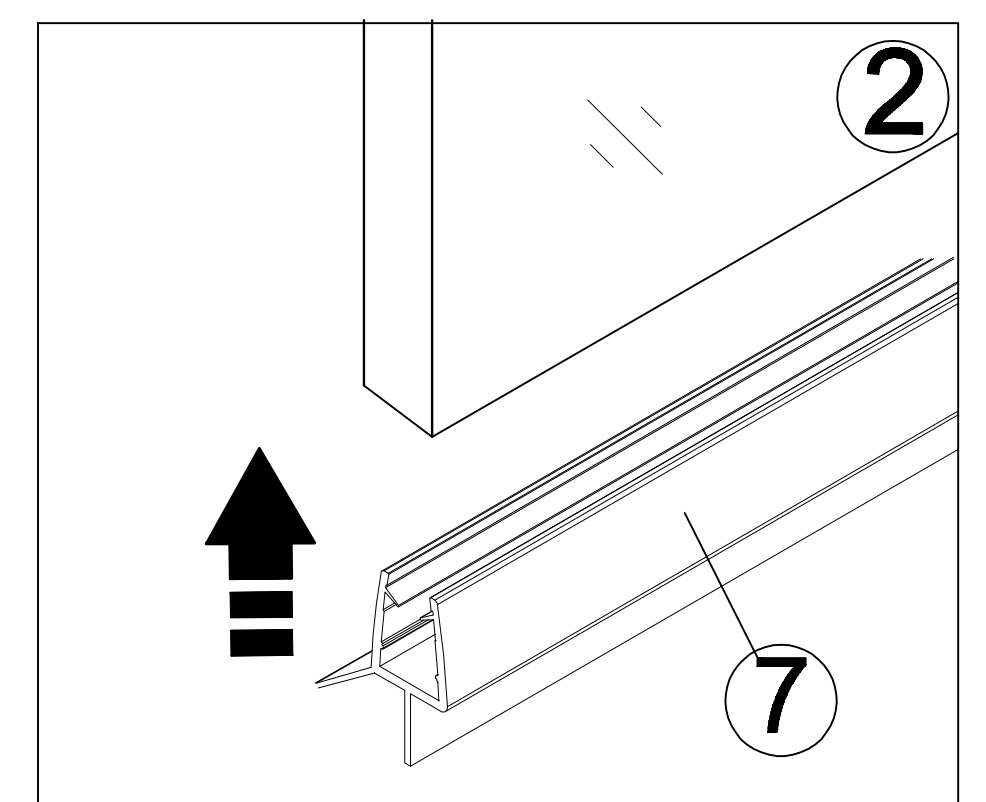
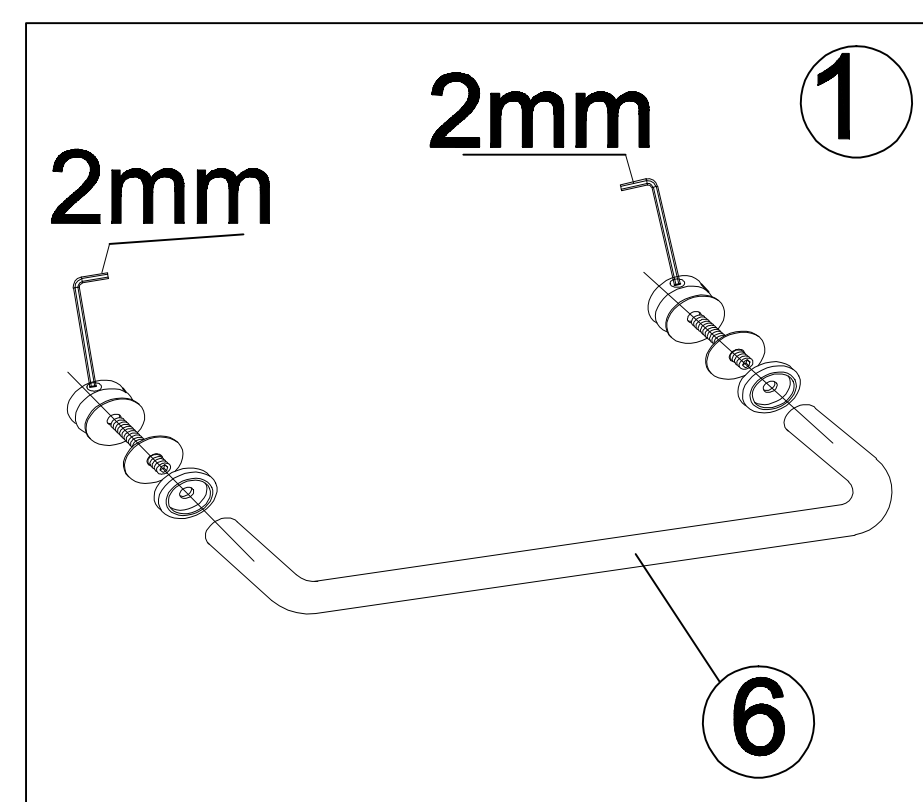
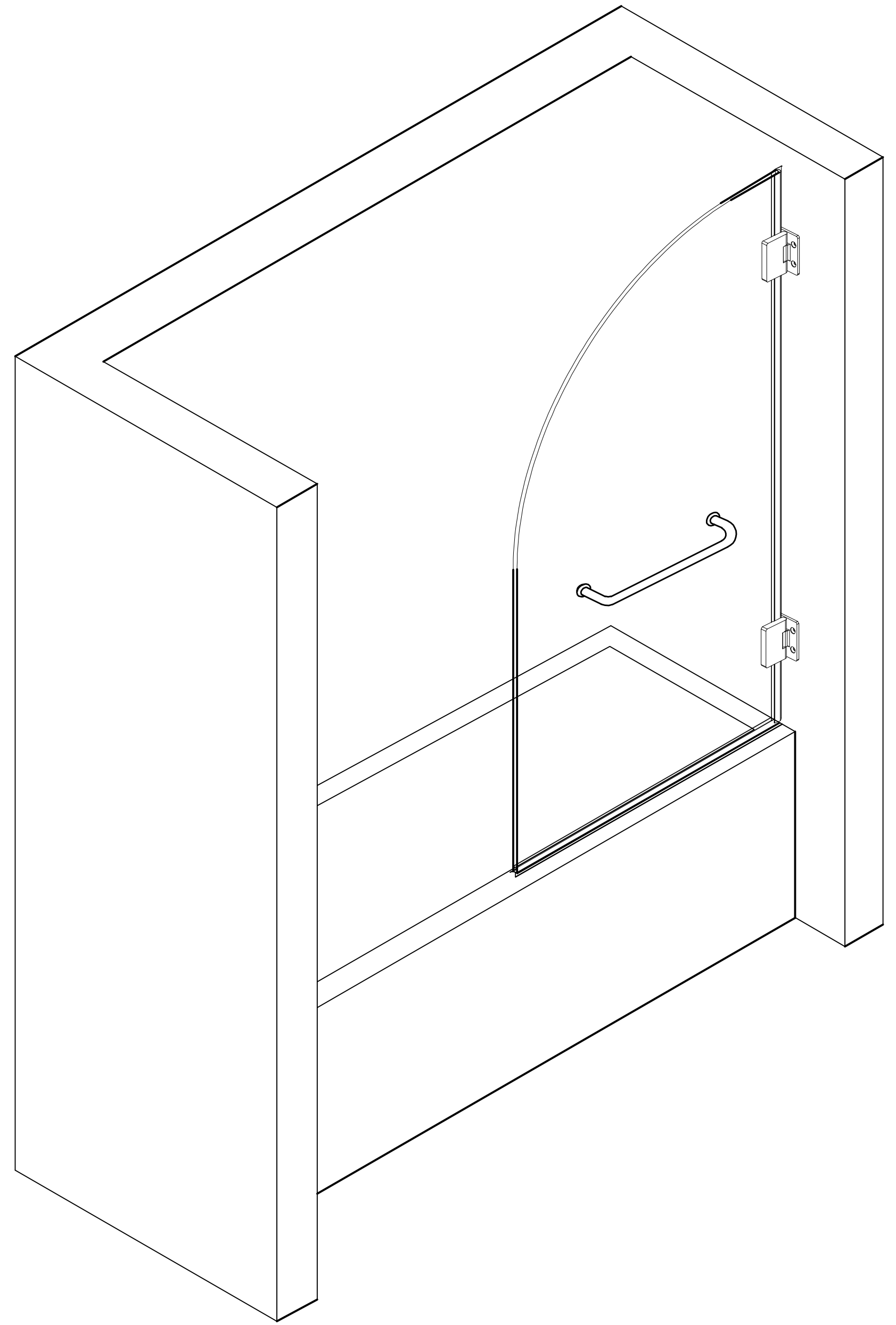
1. Assemble the door handle (6) onto shower screen door(5).
2. Assemble shower door bottom seal strip(7) to shower screen door(5).
3. Assemble shower door side seal strip(4) onto shower screen door(5).



## Right Hand Assembly

### STEP 3

1. Assemble the door handle (6) onto shower screen door(5).
2. Assemble shower door bottom seal strip(7) to shower screen door(5).
3. Assemble shower door side seal strip(4) onto shower screen door(5).

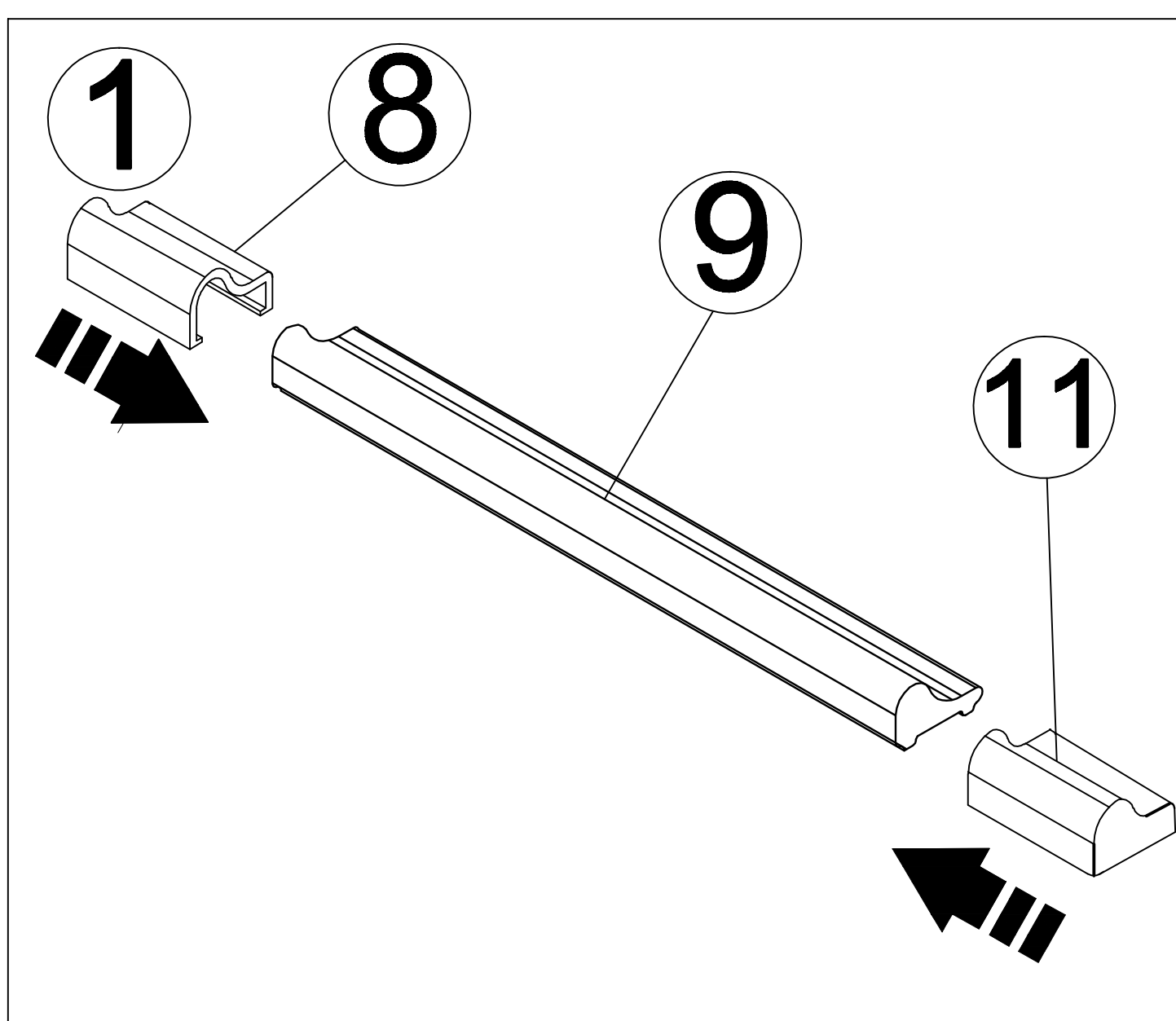
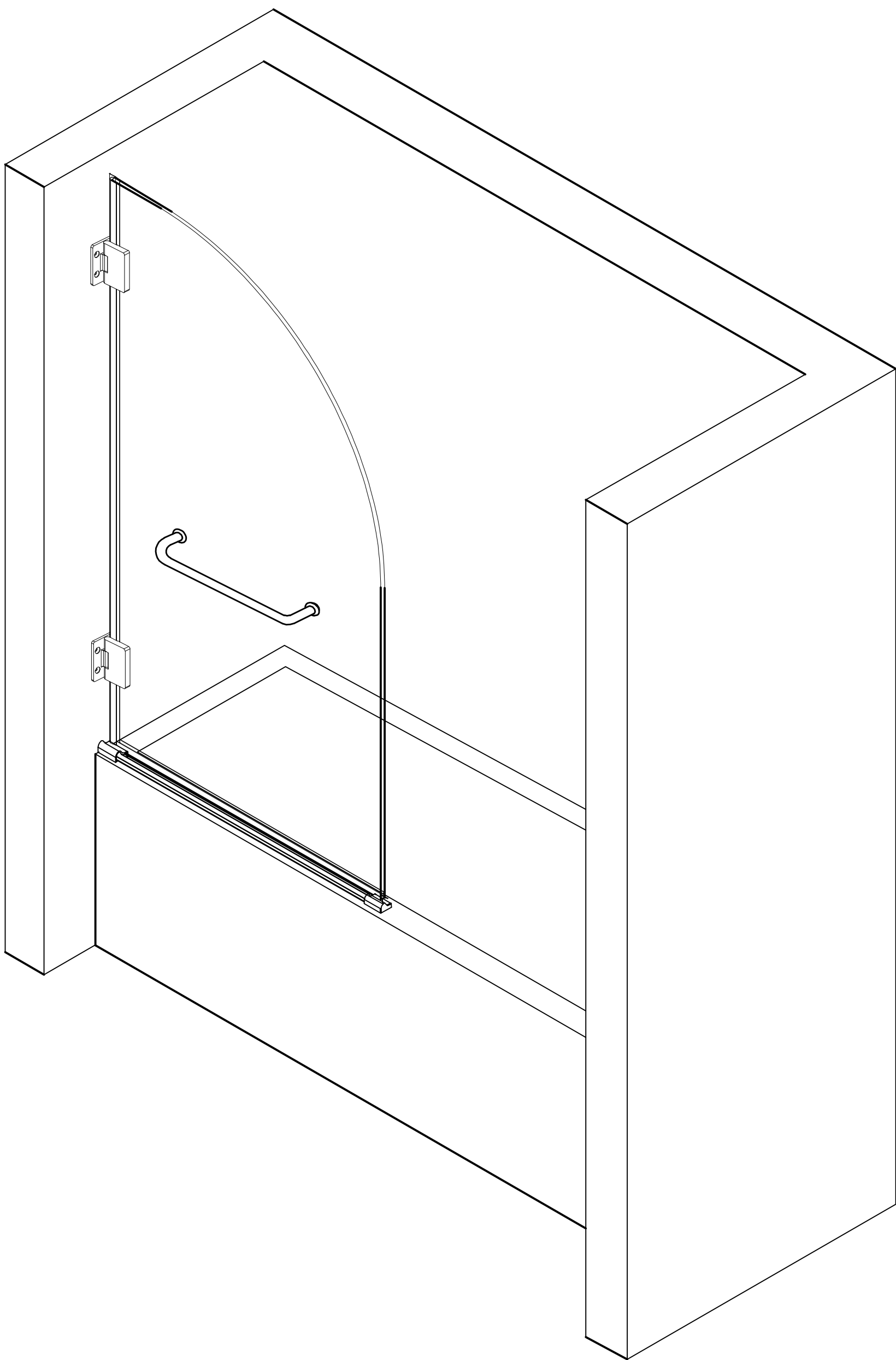




## Left Hand Assembly

### STEP 4

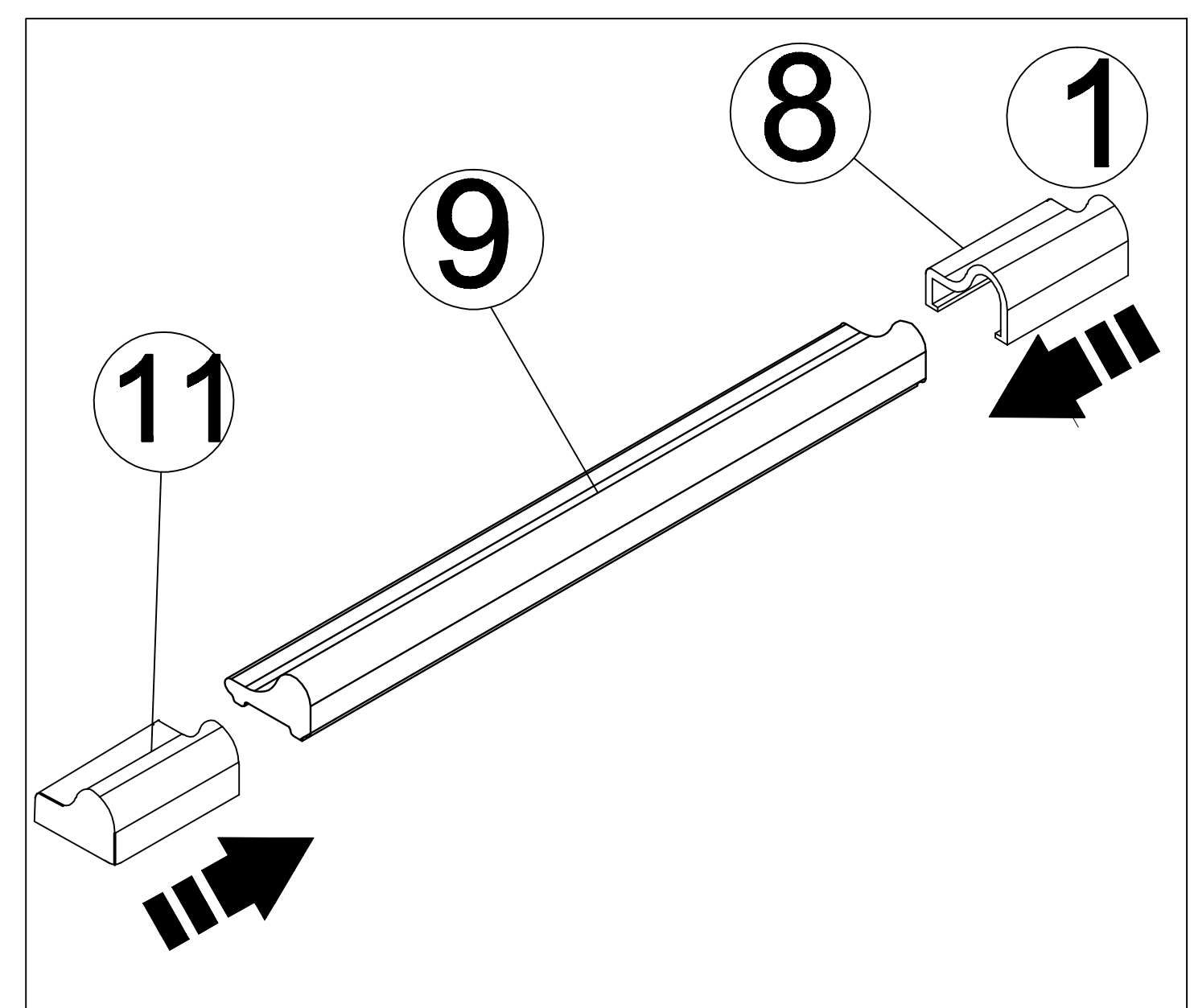
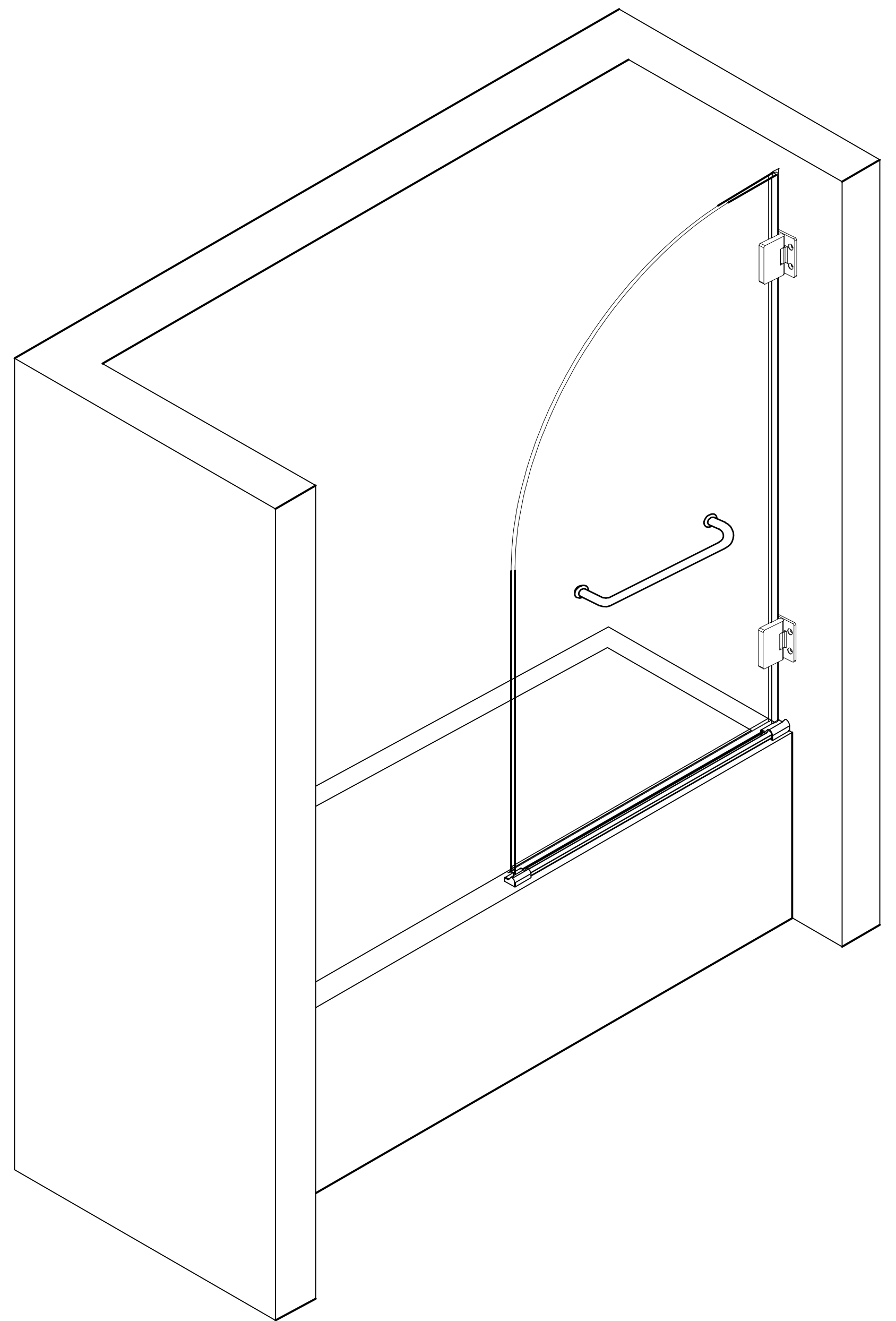
1. Assemble left-hand-side plastic connector(8) and right-hand-side plastic connector(11) to Aluminum strip(9).



## Right Hand Assembly

### STEP 4

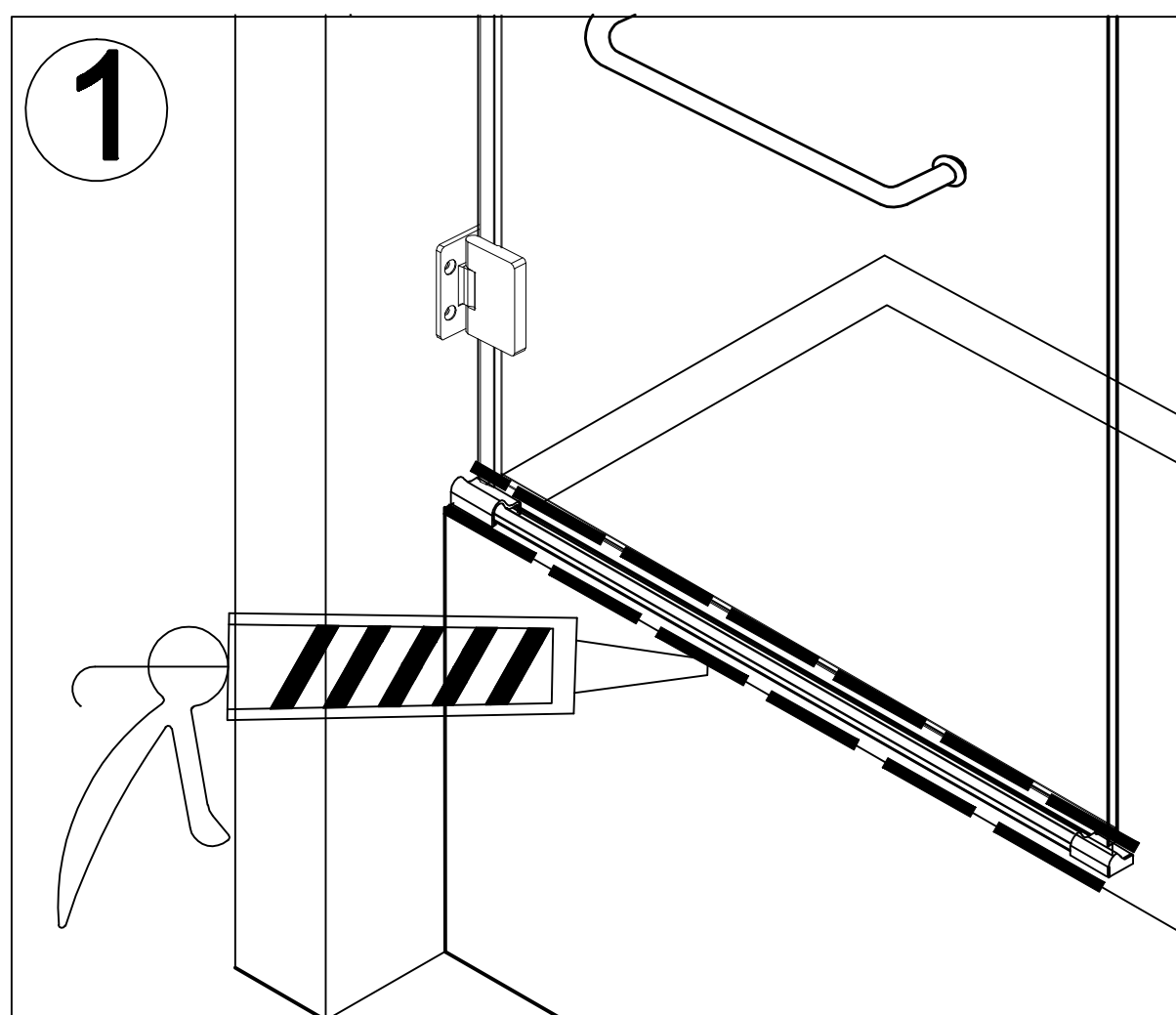
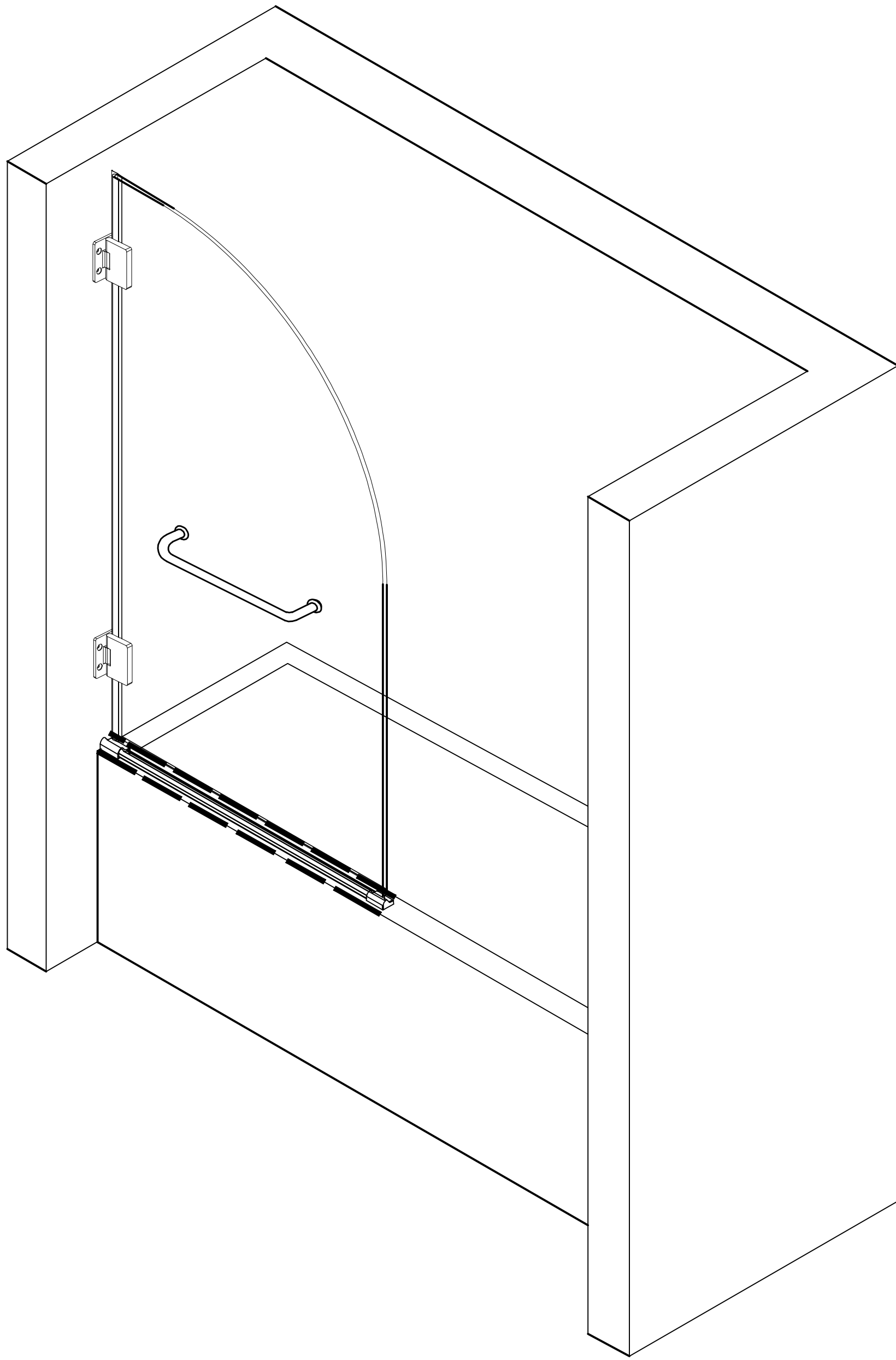
1. Assemble left-hand-side plastic connector(8) and right-hand-side plastic connector(11) to Aluminum strip(9).



## Left Hand Assembly

### STEP 5

1. Apply qualified mildew resistant silicone along the sides of Aluminum strip (9). Allow the silicone to dry for 24 hours before using the shower to ensure it's fully consolidated.



## Right Hand Assembly

### STEP 5

1. Apply qualified mildew resistant silicone along the sides of Aluminum strip (9). Allow the silicone to dry for 24 hours before using the shower to ensure it's fully consolidated.

