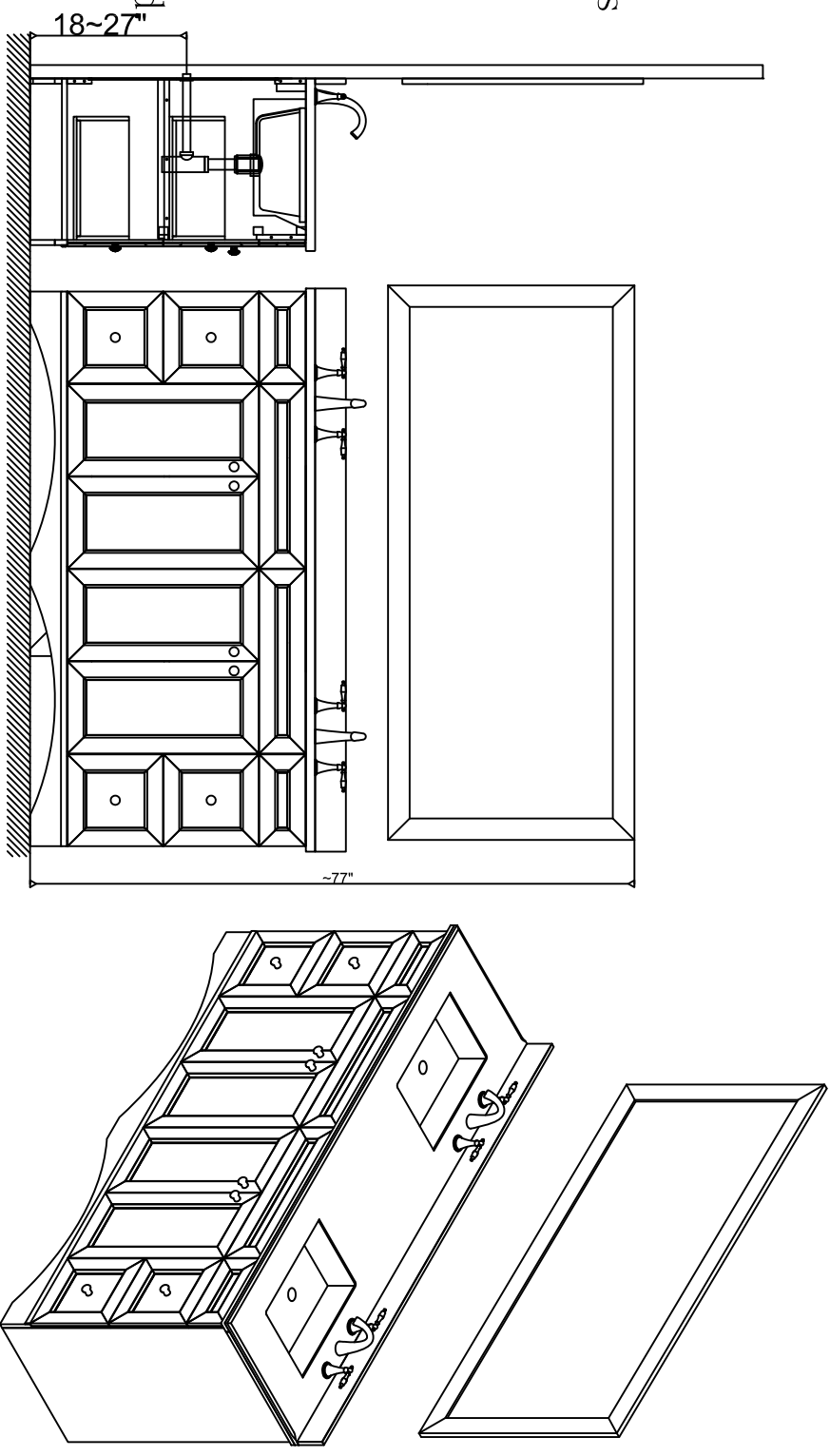
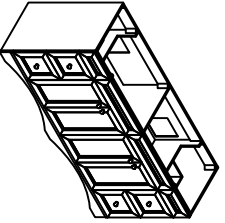


SKU : ED25072
SIZE:1828x550x880
PROHIBIT COPY

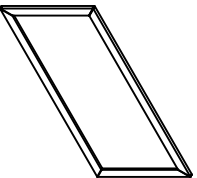
. Prior to installation please check received items against the Packing List Please report any missing items to your local dealer immediately.
 . Protect all surfaces from sharp objects, high heat sources, direct prolonged sunlight and chemical hazards.
 . Professional installation recommended


PACKING LIST

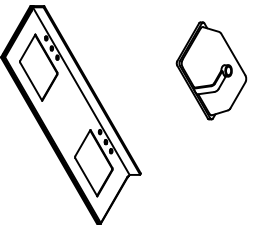
1. Main cabinet



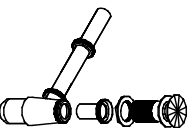
2. Mirror



3. Basin



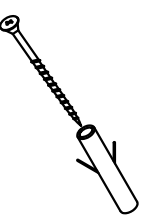
4. Pop up+Drain pipe



5. Faucet



6. Install screw

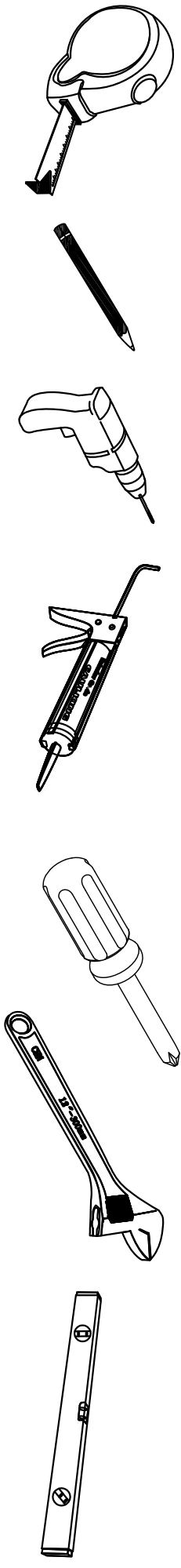


SKU : ED25072

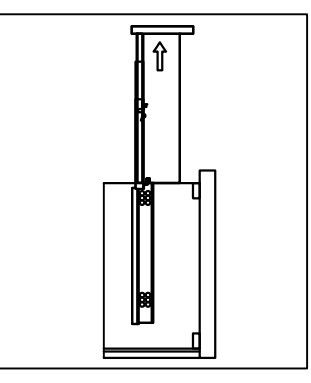
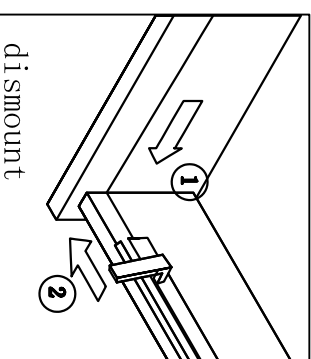
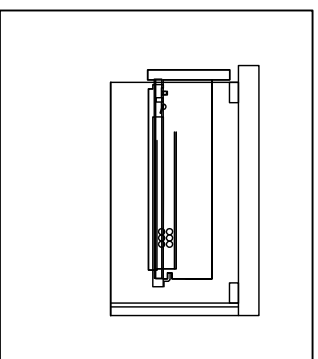
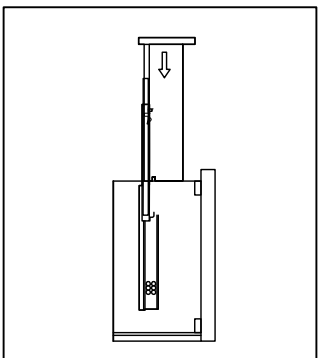
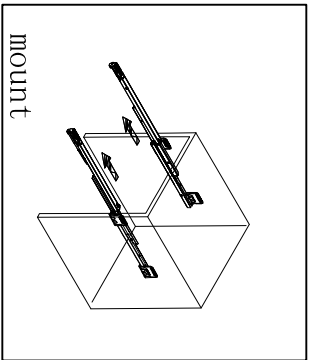
SIZE:1828x550x880

PROHIBIT COPY

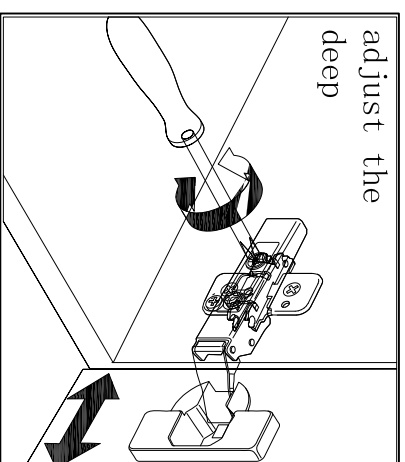
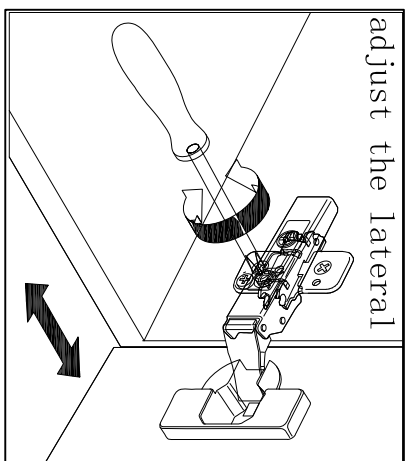
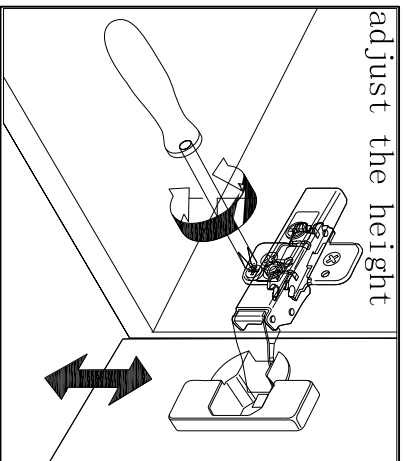
REQUIRED TOOLS



DRAWER SLIDER ATTACHMENT AND DETACHMENT



INSTALLATION AND ADJUSTION OF HINGE



SKU : ED25072
SIZE:1828x550x880
PROHIBIT COPY
