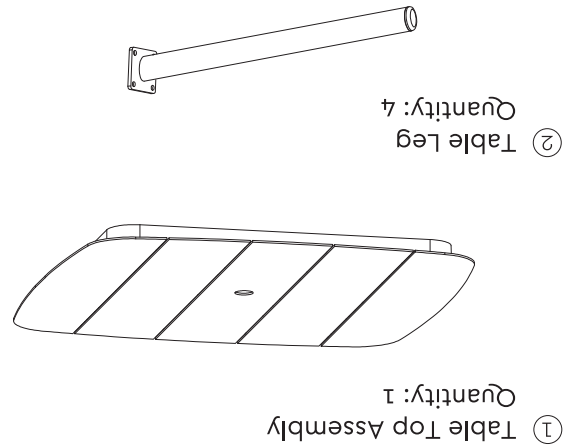


- Ⓐ Machine Bolt
Quantity: 16
- Ⓑ Metal Washer
Quantity: 16
- Ⓒ Allen Wrench
Quantity: 1

HARDWARE



- ① Table Top Assembly
Quantity: 1
- ② Table Leg
Quantity: 4

COMPONENTS

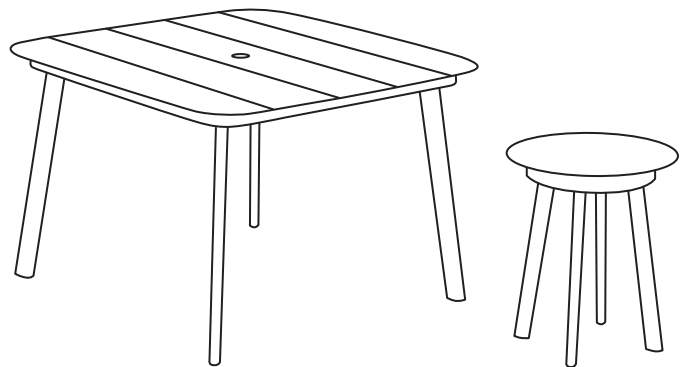
NOTES

Table top and legs may vary from illustrations but the assembly is the same for all Eiland tables.

OXFORD *G* GARDEN®

EILAND DINING & OCCASIONAL TABLES

**ASSEMBLY
INSTRUCTIONS**



15 Kingbrook Parkway, Suite 100
Simpsonville, KY 40067

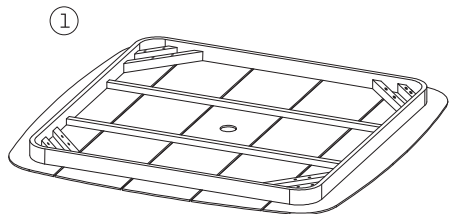
p. 877.866.3331 f. 502.719.8888

oxfordgarden.com

INSTRUCTIONS

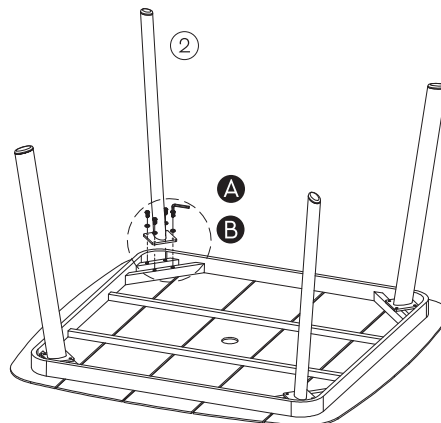
STEP 1

Lay table top ① upside down on top of provided cardboard box or blanket to protect the surface of the table top while assembling.

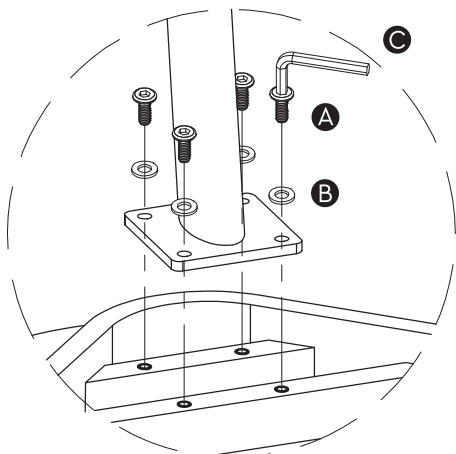


STEP 2

Using the allen wrench provided, secure table leg ② to table top using metal washers B and bolts A. Repeat for the remaining 3 legs.



STEP 2 (detail)



STEP 3

Carefully turn assembled table in an upright position.

