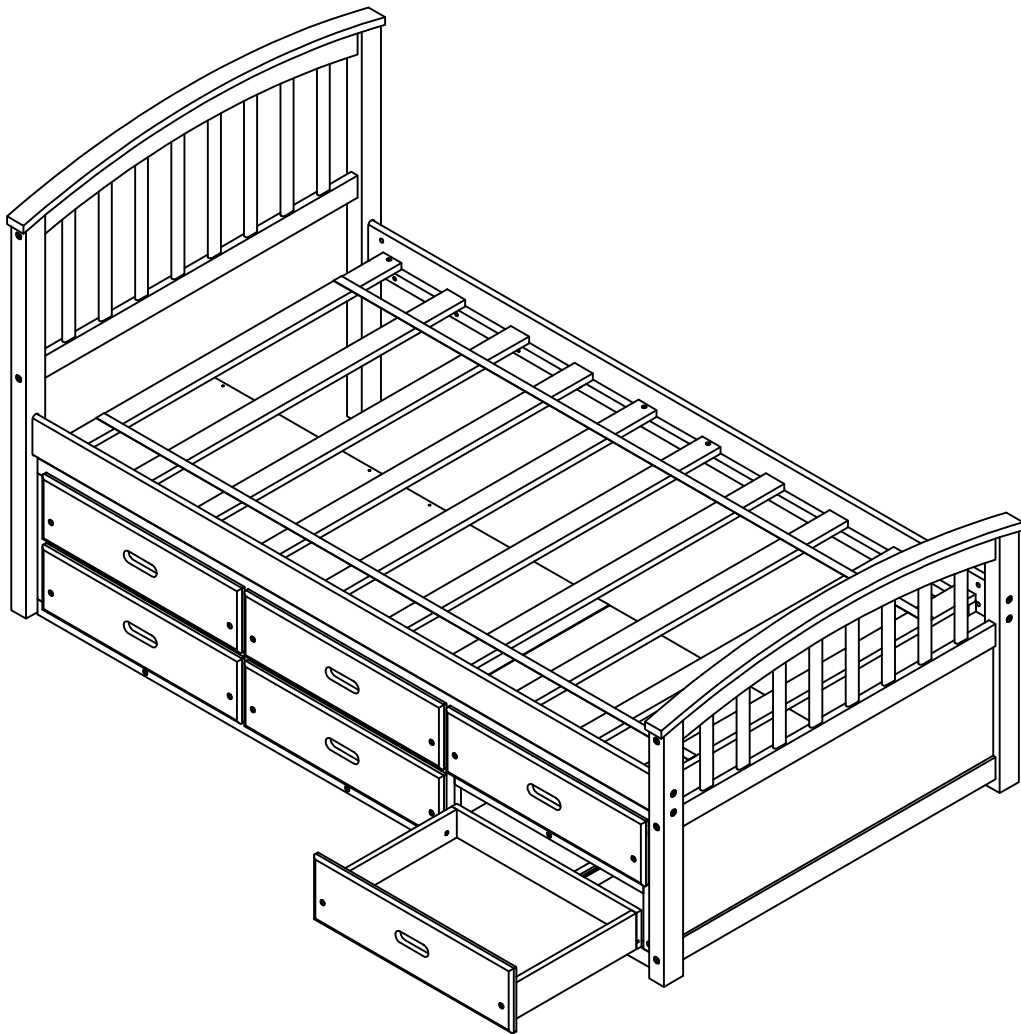


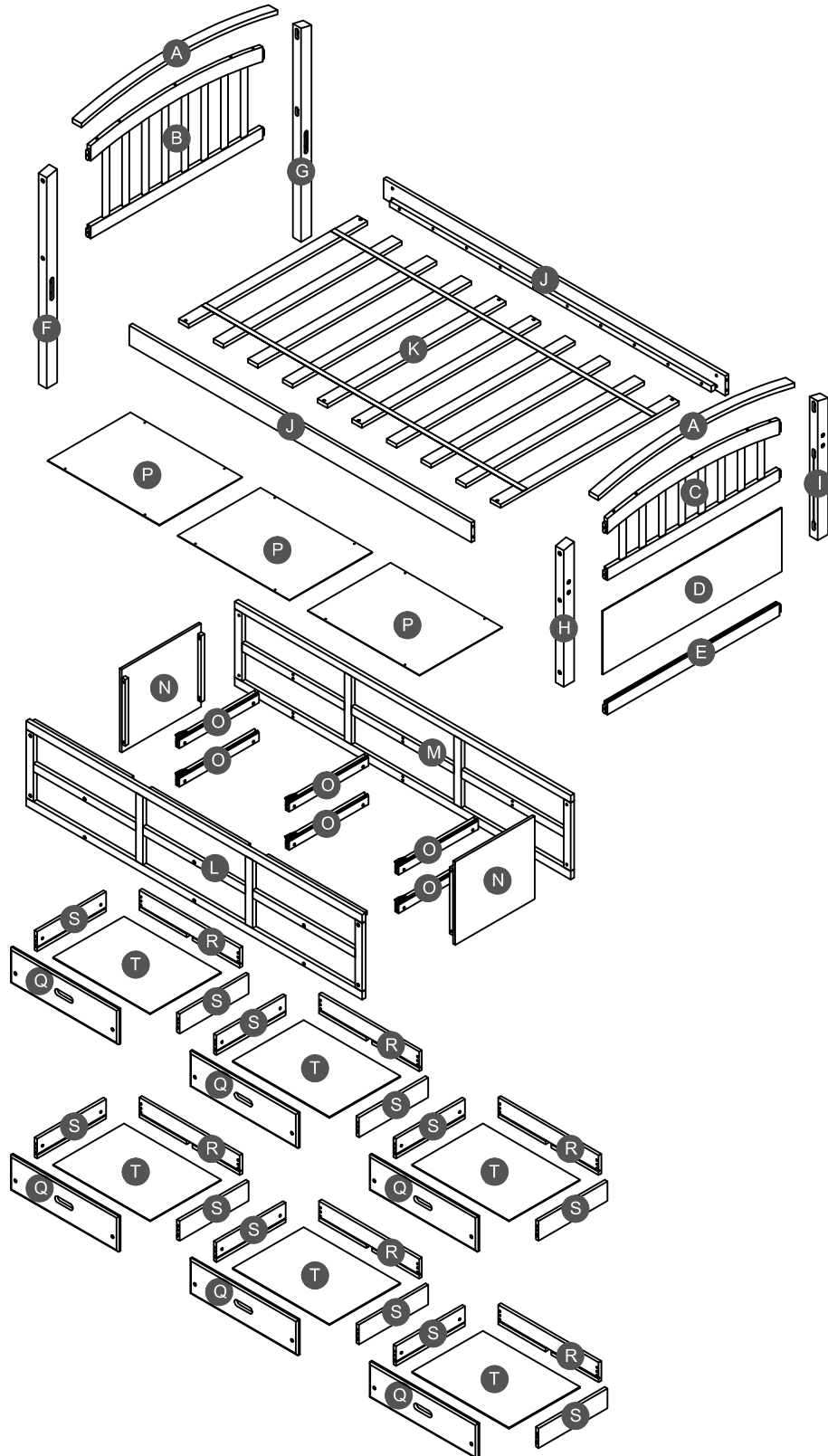
# ASSEMBLY INSTRUCTIONS

## STORAGE BED





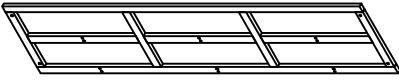

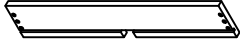
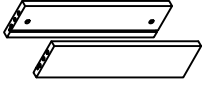

**WF198041 / WF198042**

# Detail View

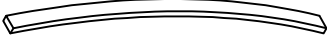
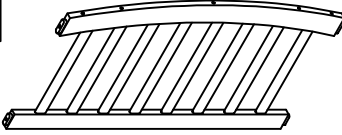
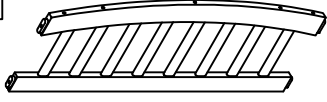


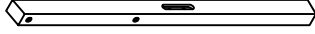
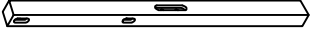
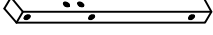

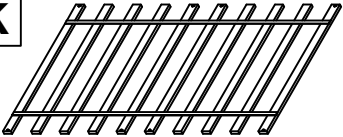
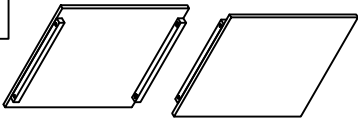
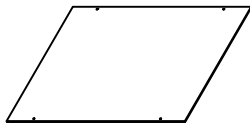



# Part List

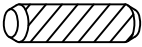
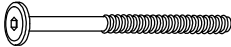

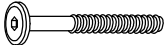


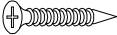




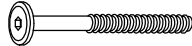
## WF198041

<p><b>J</b></p>  <p>Side rail(Back &amp; Front)-2pcs</p>	<p><b>L</b></p>  <p>Front panel - 1pc</p>	<p><b>M</b></p>  <p>Back panel - 1pc</p>
<p><b>Q</b></p>  <p>Drawer front - 6pcs</p>	<p><b>R</b></p>  <p>Drawer back - 6pcs</p>	<p><b>S</b></p>  <p>Drawer (left &amp; right) - 12pcs</p>
<p><b>O</b></p>  <p>Lower slider drawer (6pcs)</p>		

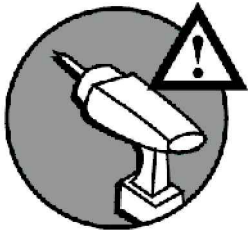
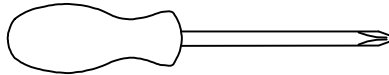
## WF198042

<p><b>A</b></p>  <p>Cap for HB &amp; FB -2pcs</p>	<p><b>B</b></p>  <p>Headboard - 1pc</p>	<p><b>C</b></p>  <p>Footboard - 1pc</p>
<p><b>D</b></p>  <p>Side panel - 1pc</p>	<p><b>E</b></p>  <p>Horizontal bar - 1pc</p>	<p><b>F</b></p>  <p>Leg headboard (Left) - 1pc</p>
<p><b>G</b></p>  <p>Leg headboard (Right) - 1pc</p>	<p><b>H</b></p>  <p>Leg footboard (Left) - 1pc</p>	<p><b>I</b></p>  <p>Leg footboard (Right) - 1pc</p>
<p><b>K</b></p>  <p>Slats - 1set (10pcs)</p>	<p><b>N</b></p>  <p>Left &amp; right side panel -2pcs</p>	<p><b>P</b></p>  <p>Top panel - 3pcs</p>
<p><b>T</b></p>  <p>Drawer bottom - 6pcs</p>		

# Hardware List



<b>1</b>  Ø8*30mm	<b>2</b>  (Ø15)1/4"*100mm	<b>3</b>  (Ø12)1/4"*70mm
Wood dowel (54pcs)	Hex-Head bolts (10pcs)	Hex-Head bolts (4pcs)
<b>4</b>  (Ø12)1/4"*60mm	<b>5</b>  (Ø12)1/4"*35mm	<b>6</b>  1/4"*15 (9.5mm)
Hex-Head bolts (36pcs)	Hex-Head bolts (8pcs)	Horizontal-Hole bolts(54pcs)
<b>7</b>  Ø4*30mm	<b>8</b>  400*30mm	<b>9</b>  (1/4")4.5*58mm
Wood screws (8pcs)	Upper slider drawer (6pcs)	Allen key (1pc)
<b>10</b>  Ø3.5*12mm	<b>11</b>  Ø3.5*19mm	<b>12</b>  (Ø15)1/4"*80mm
Wood screws (18pcs)	Wood screws (12pcs)	Hex-Head bolts (8pcs)

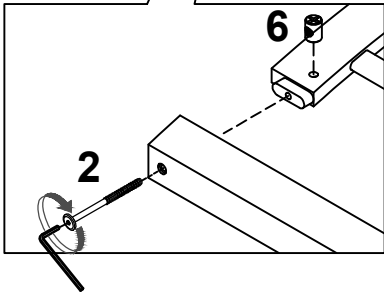
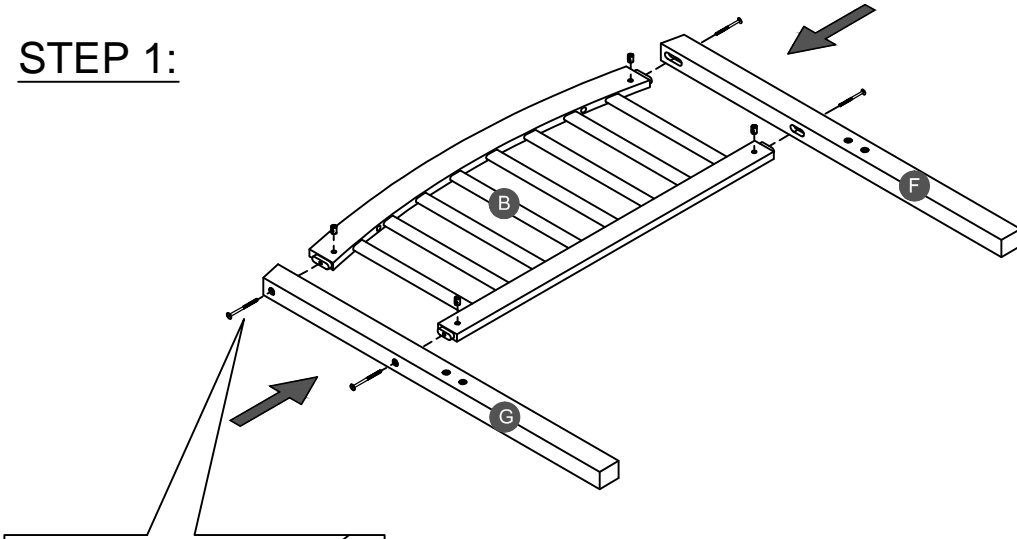
## ASSEMBLY TOOLS REQUIRED ( NOT INCLUDED )



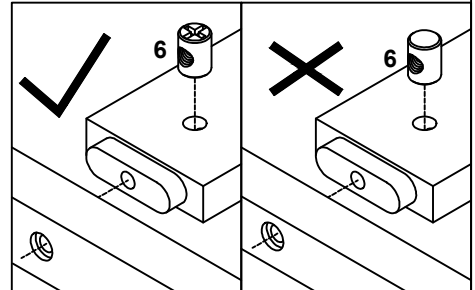
PLEASE BE CAREFUL DO NOT DAMAGE THE HOLE POSITION WHEN YOU USE POWER TOOLS !

**STEP 1:**



<b>2</b>		<b>6</b>	
<b>4PCS</b>		<b>4PCS</b>	

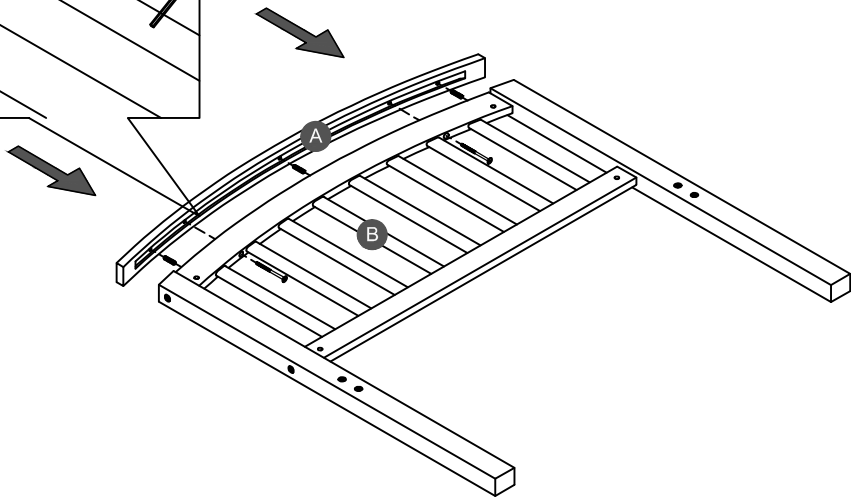
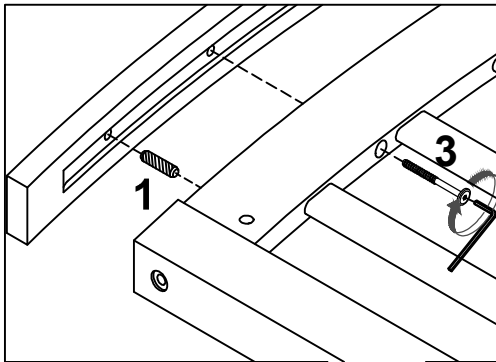


Note: Part 6 will face up with the "x" mark on it, otherwise it cannot be tightened

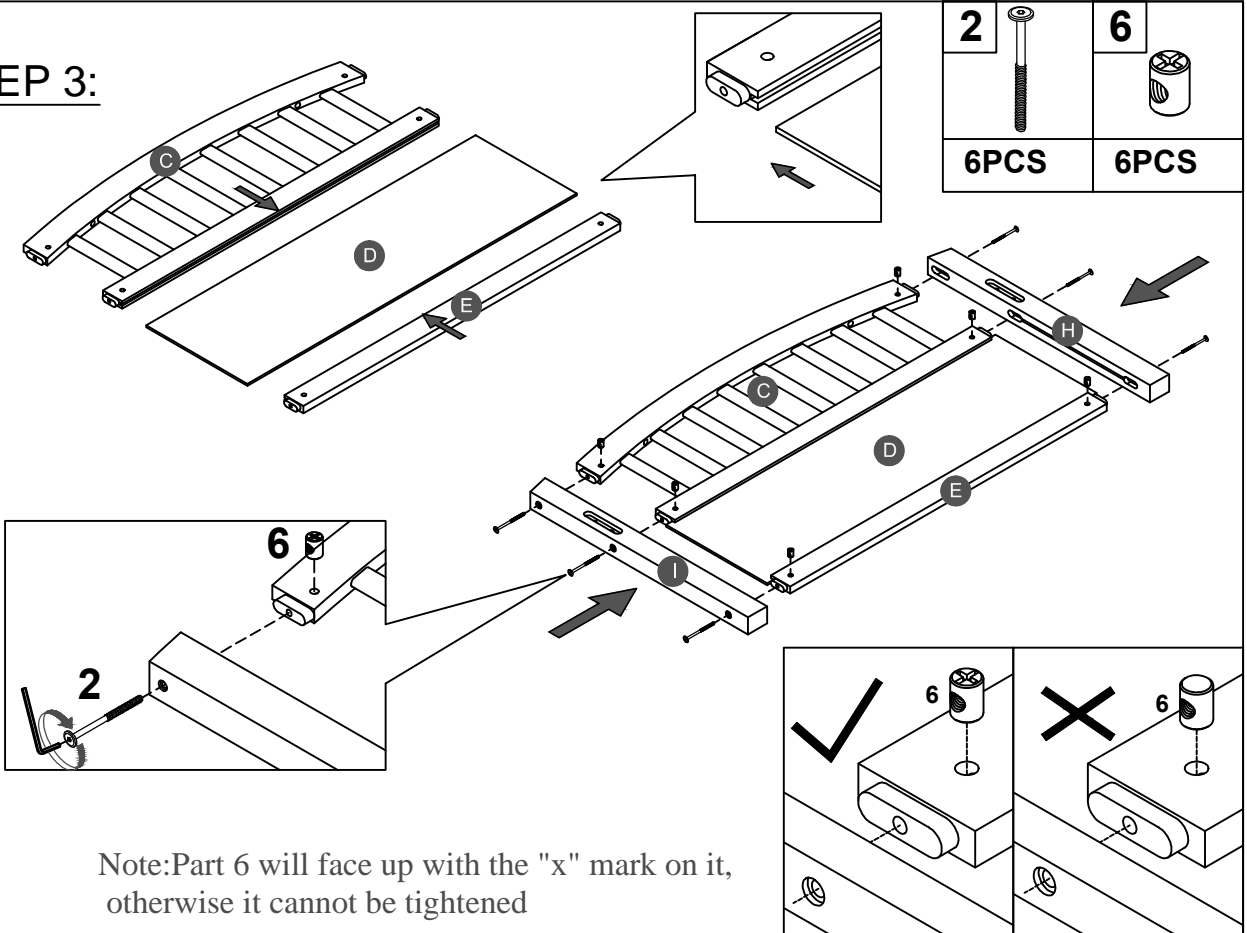


**STEP 2:**

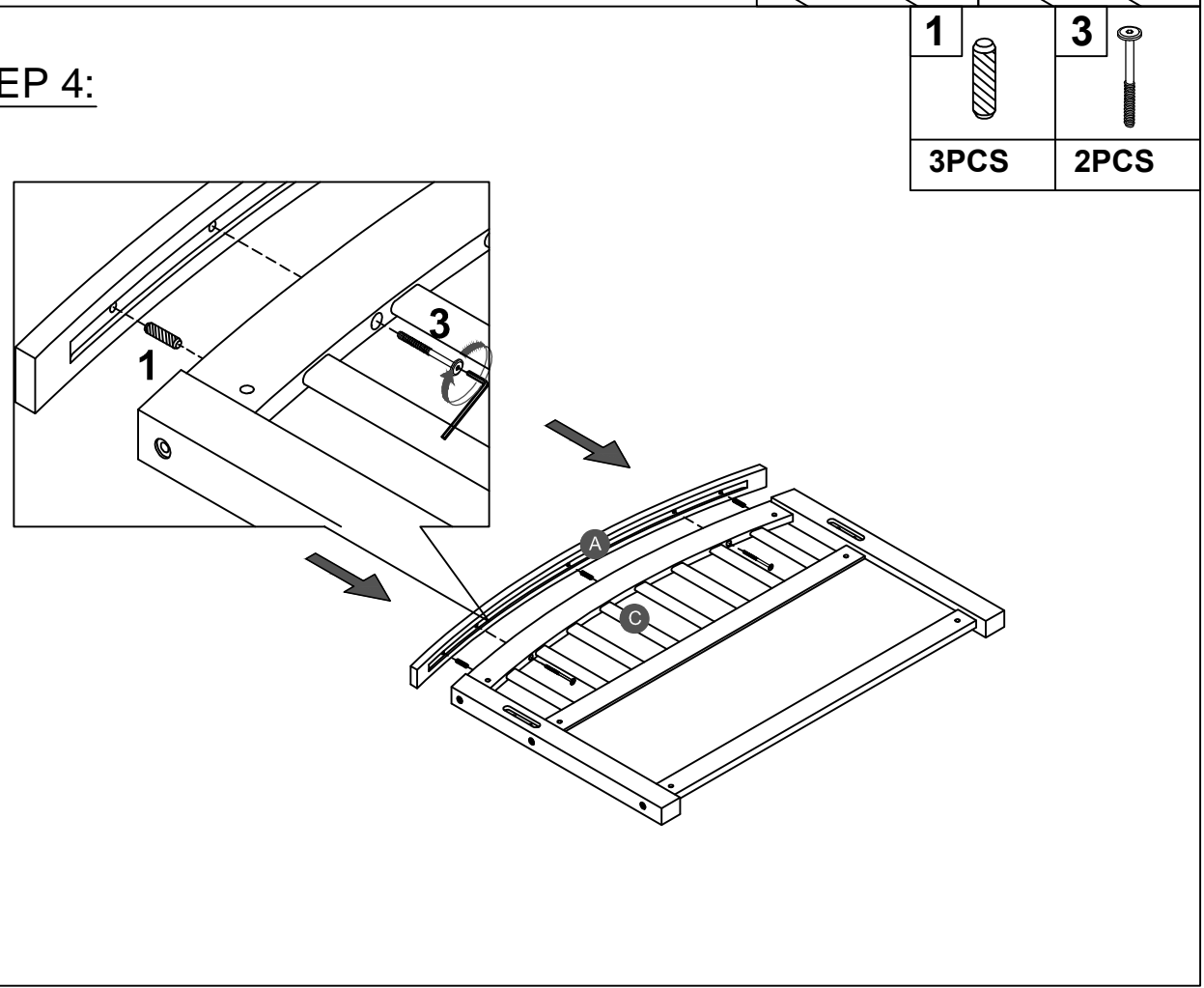
<b>1</b>		<b>3</b>	
<b>3PCS</b>		<b>2PCS</b>	



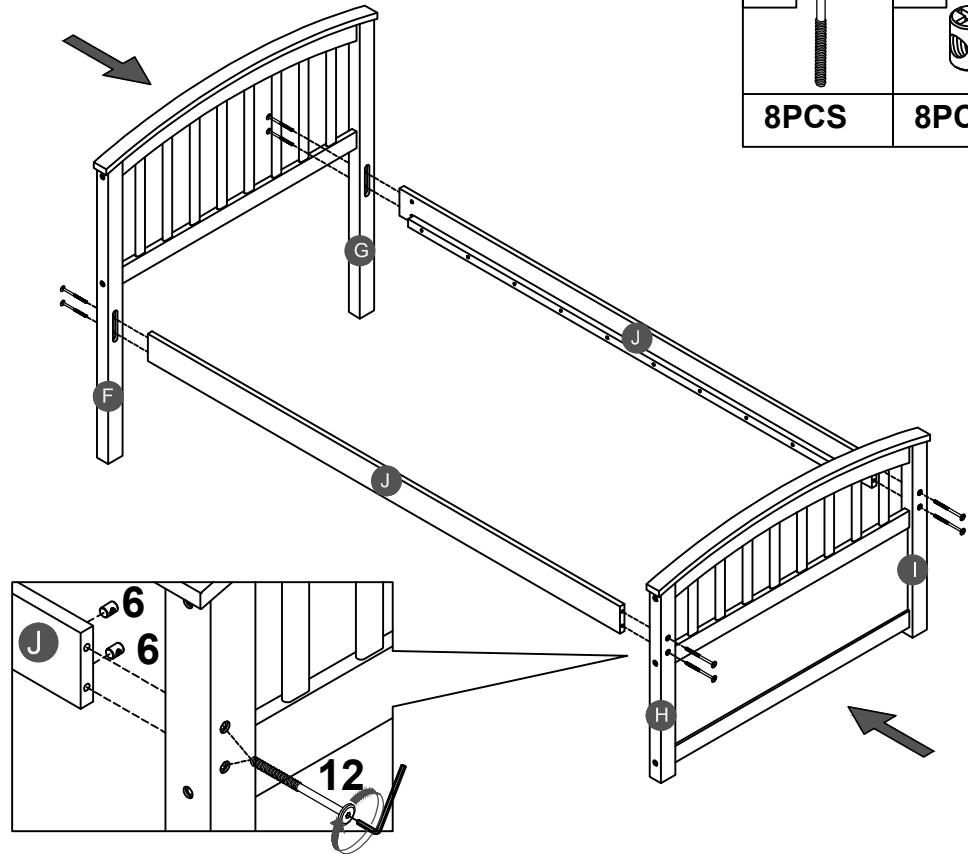
**STEP 3:**





**STEP 4:**

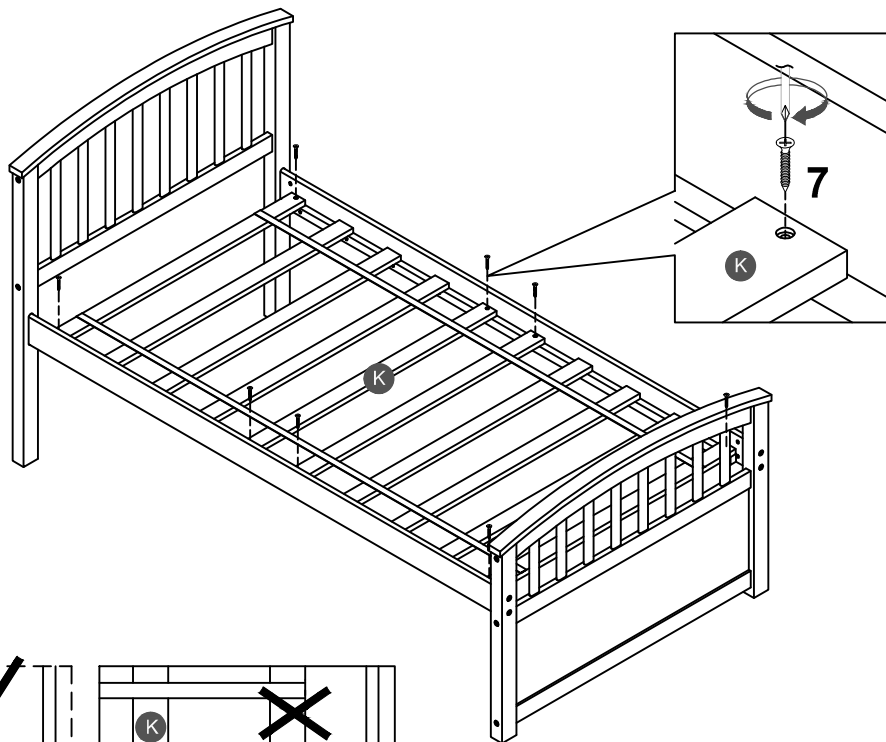



**STEP 5:**

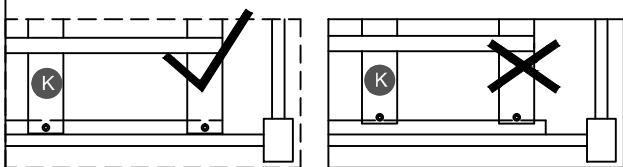


<b>12</b>		<b>6</b>	
<b>8PCS</b>		<b>8PCS</b>	

**STEP 6:**

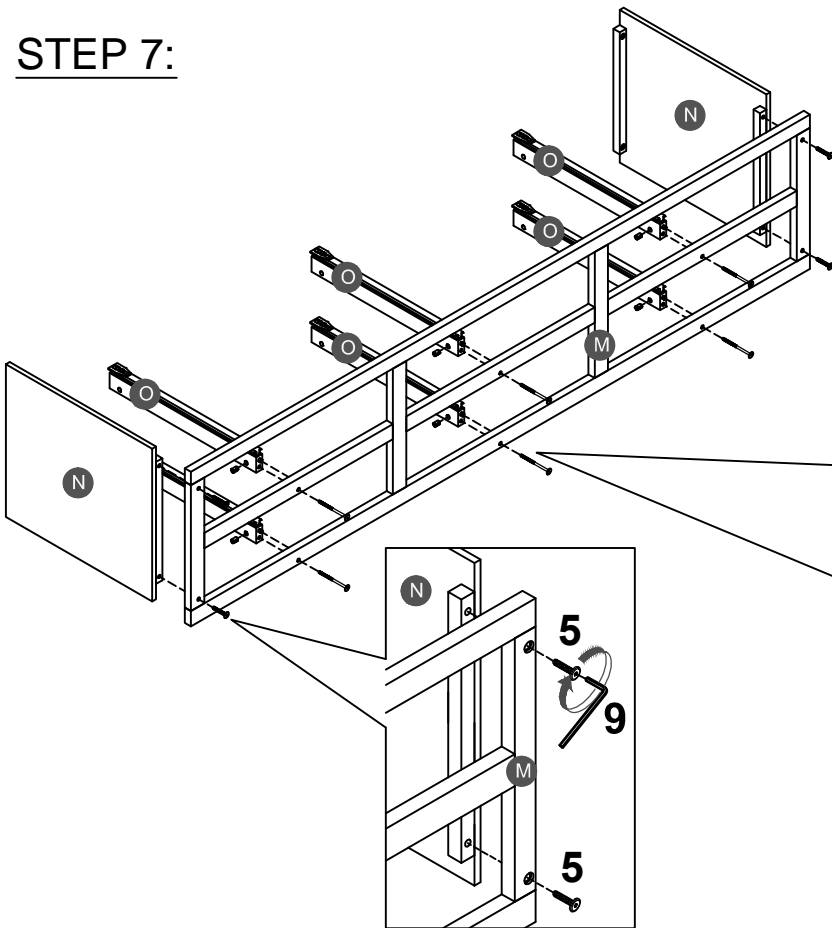



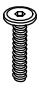

<b>7</b>	
<b>8PCS</b>	

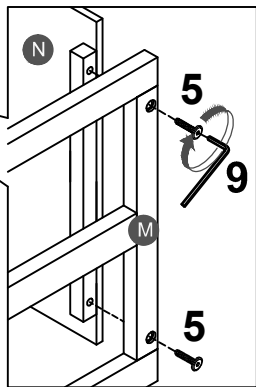
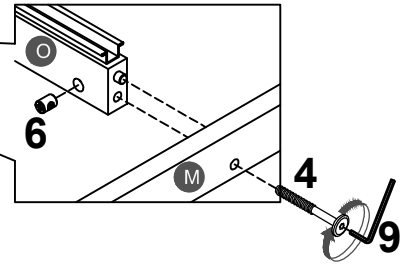


Note: Do not lock the screws of the bed slats to the outermost edge of the bed slats, you need to leave a certain space at the edges, otherwise it will cause the board to break

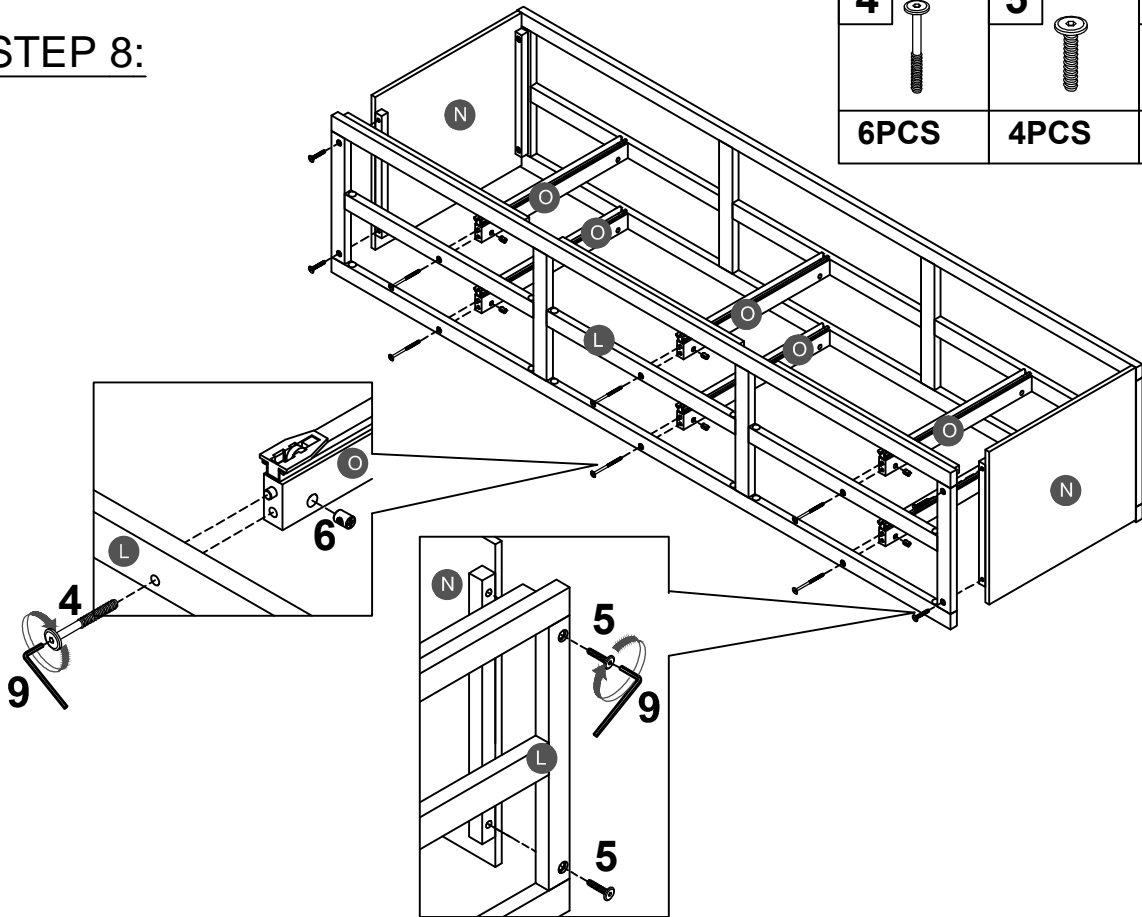
**STEP 7:**






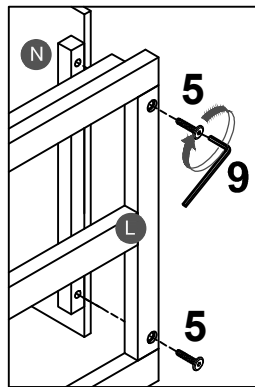
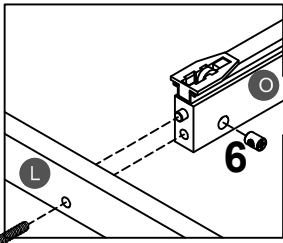
<b>4</b> 	<b>5</b> 	<b>6</b> 
<b>6PCS</b>	<b>4PCS</b>	<b>6PCS</b>



**STEP 8:**

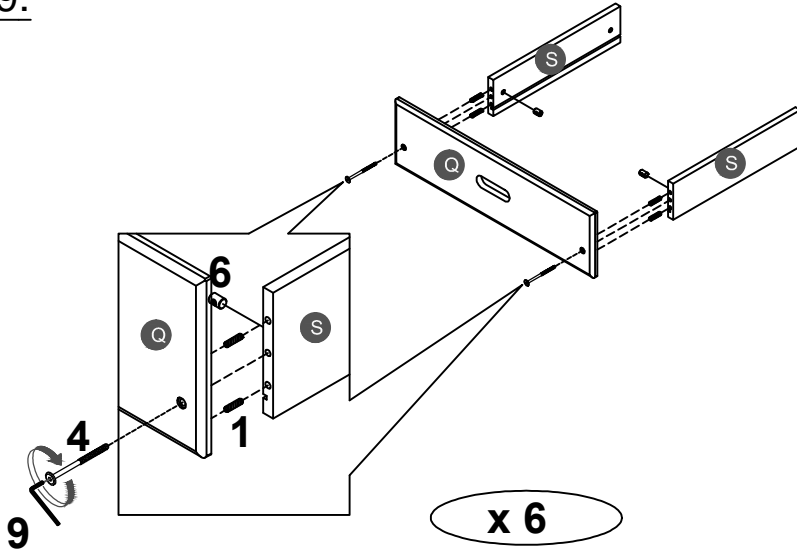





<b>4</b> 	<b>5</b> 	<b>6</b> 
<b>6PCS</b>	<b>4PCS</b>	<b>6PCS</b>



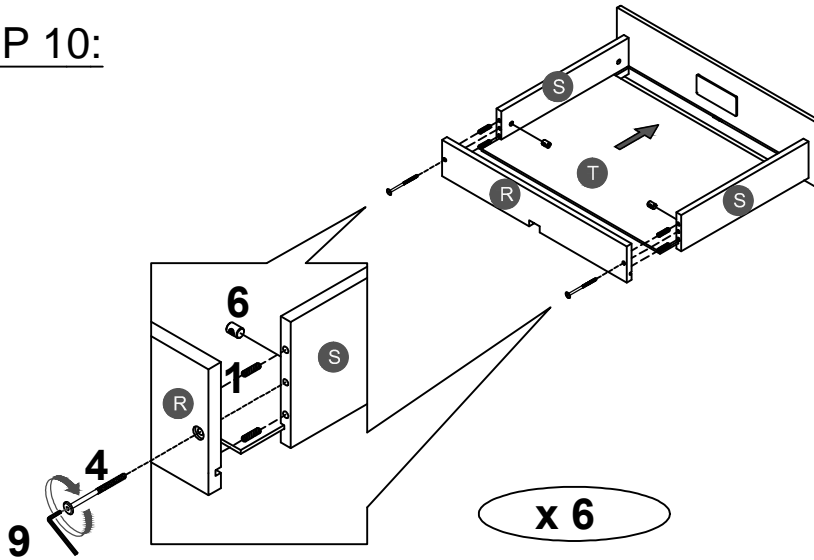





**STEP 9:**



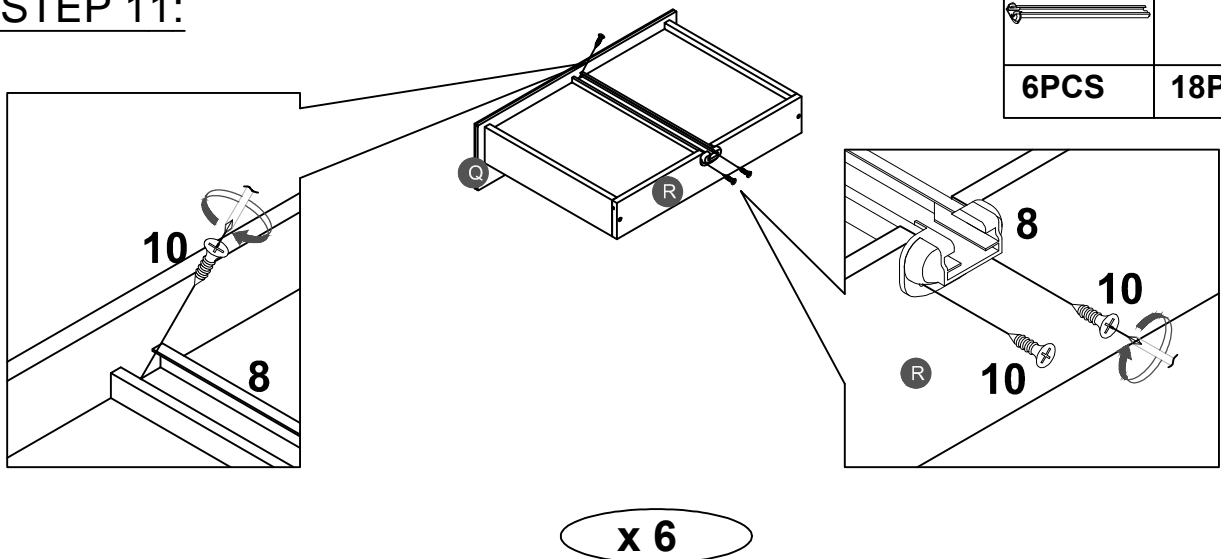
<b>1</b>		<b>6</b>	
<b>24PCS</b>		<b>12PCS</b>	
		<b>4</b>	
		<b>12PCS</b>	



**STEP 10:**



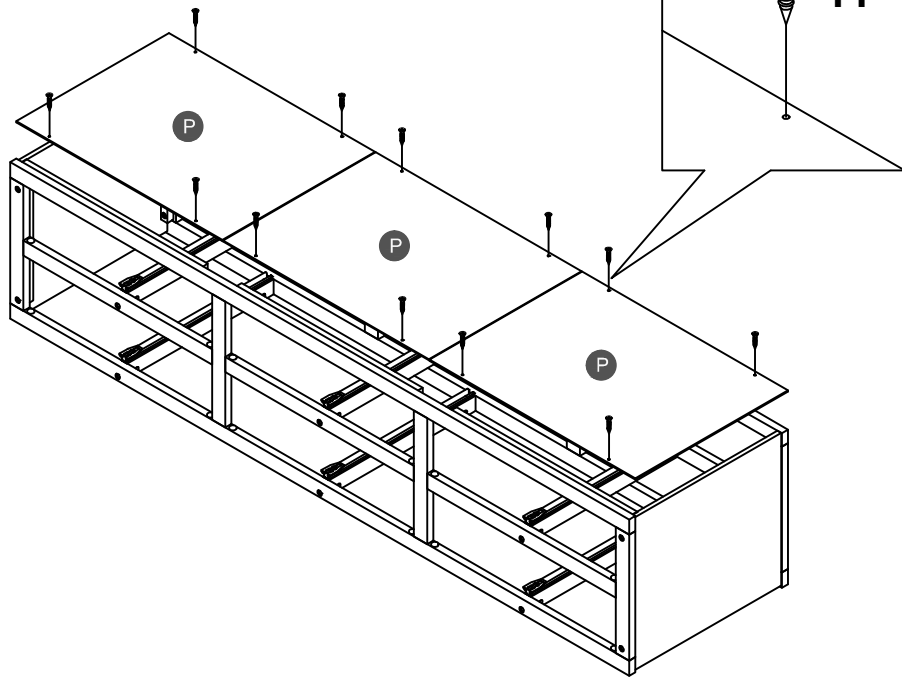
<b>1</b>		<b>6</b>	
<b>24PCS</b>		<b>12PCS</b>	
		<b>4</b>	
		<b>12PCS</b>	

**STEP 11:**



<b>8</b>		<b>10</b>	
<b>6PCS</b>		<b>18PCS</b>	

STEP 12:

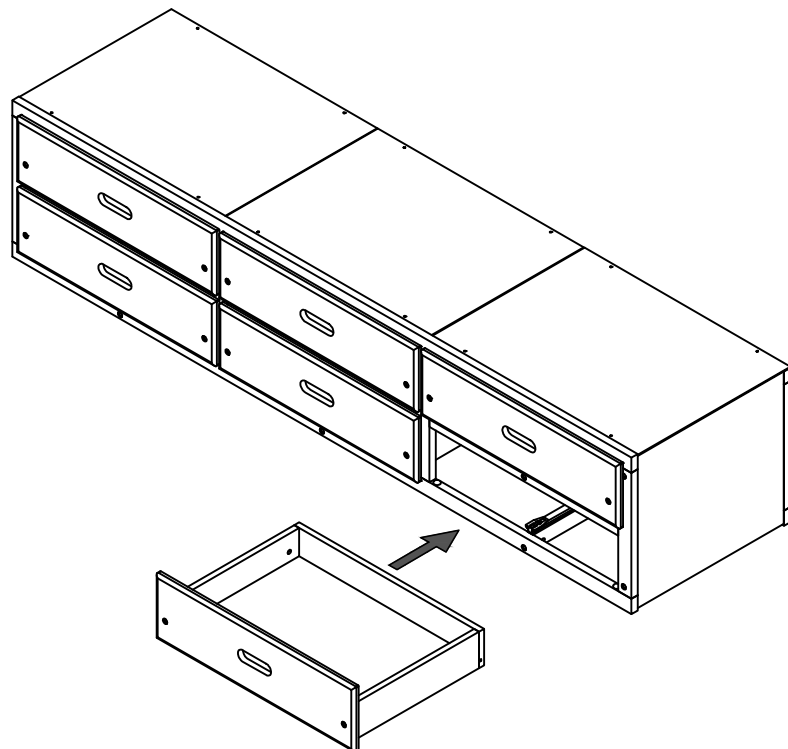


11



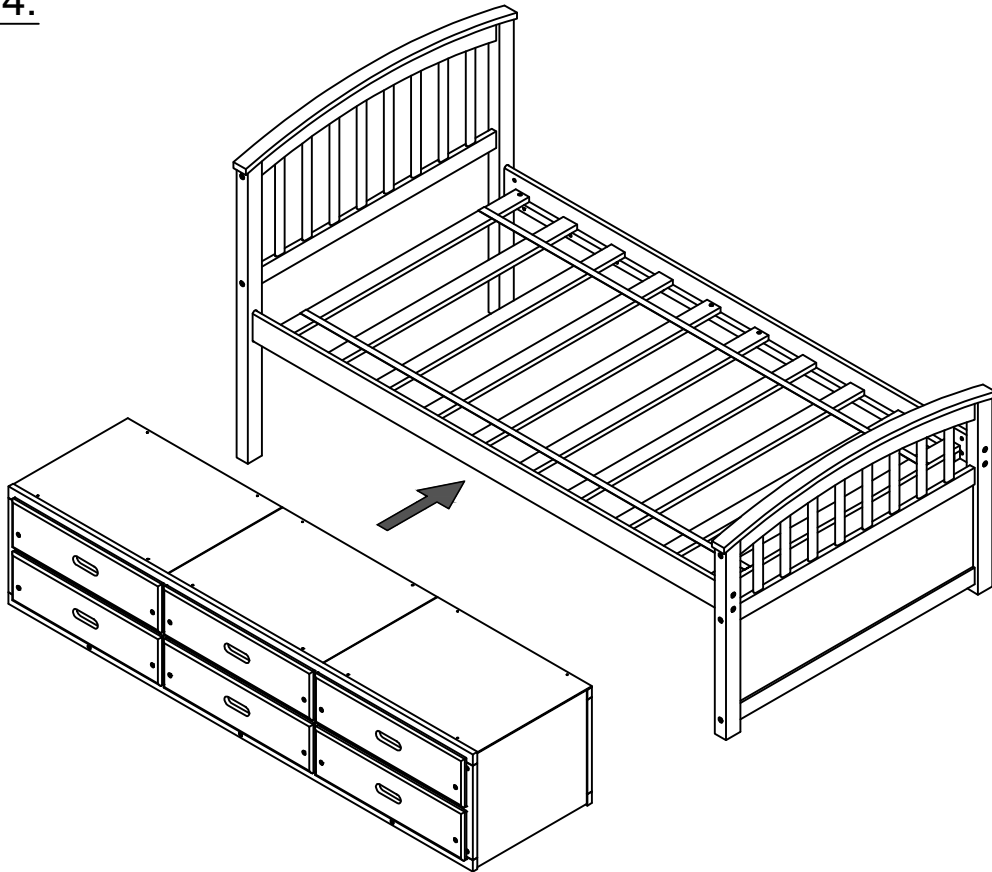
12PCS

STEP 13:



Push Drawer under the bottom of storage bed .

**STEP 14:**



Move storage under the bottom of Twin bed.

