

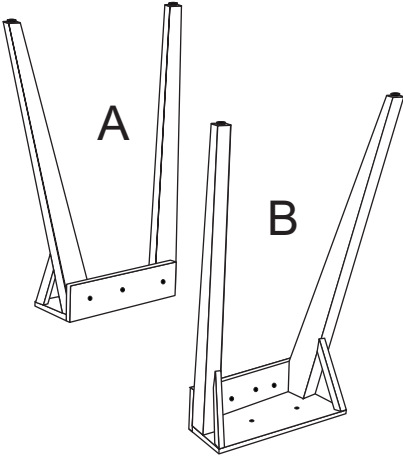
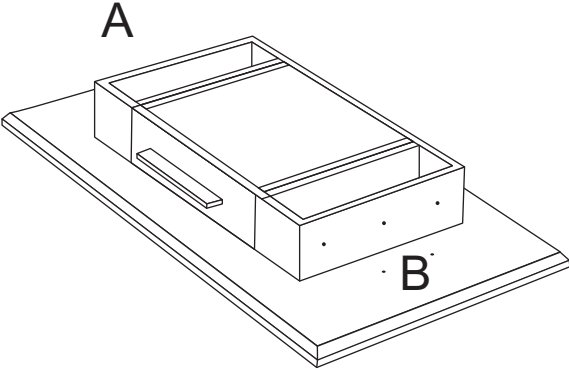
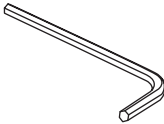
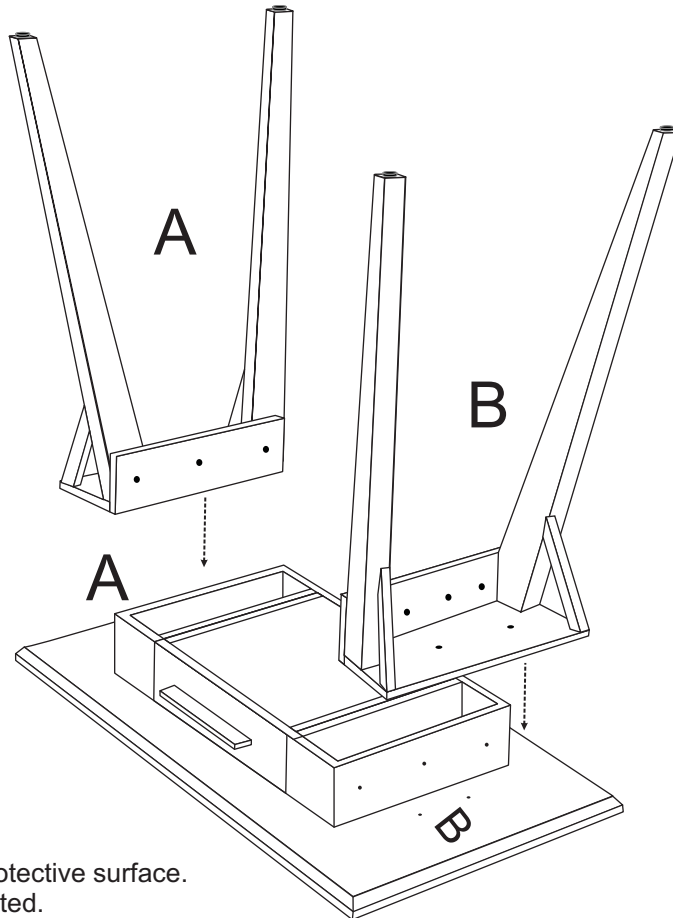


# ASSEMBLY INSTRUCTIONS

## McCutcheon Desk

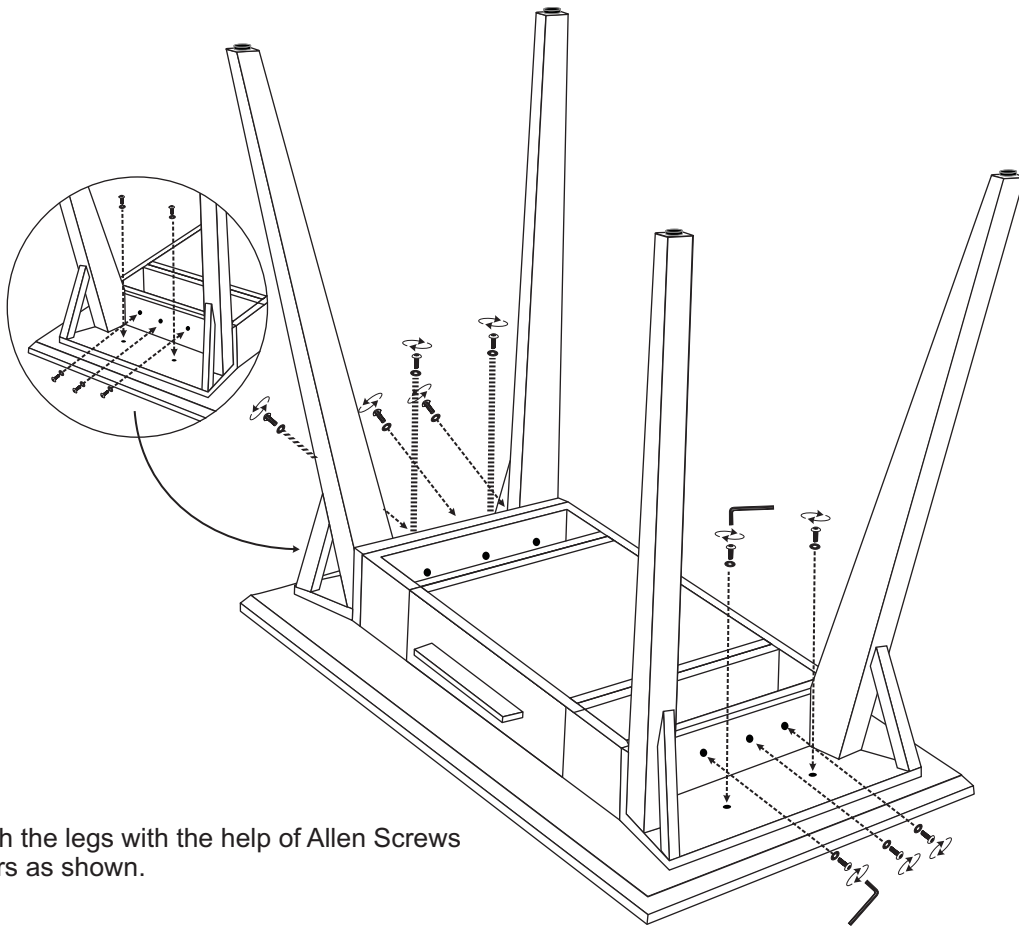
HARDWARES		PARTS	
x10+1 Extra  ALLEN SCREWS	x10+1 Extra  WASHERS	x2  WOODEN LEGS	x1  WOODEN TOP
x1  ALLEN KEY			

### STEP-1



Place top face down on a protective surface.  
Align 2 legs (A& B) as indicated.

## STEP-2



Secure both the legs with the help of Allen Screws and Washers as shown.

## ASSEMBLED



Flip the table and adjust the Levellers if needed to balance on floor.