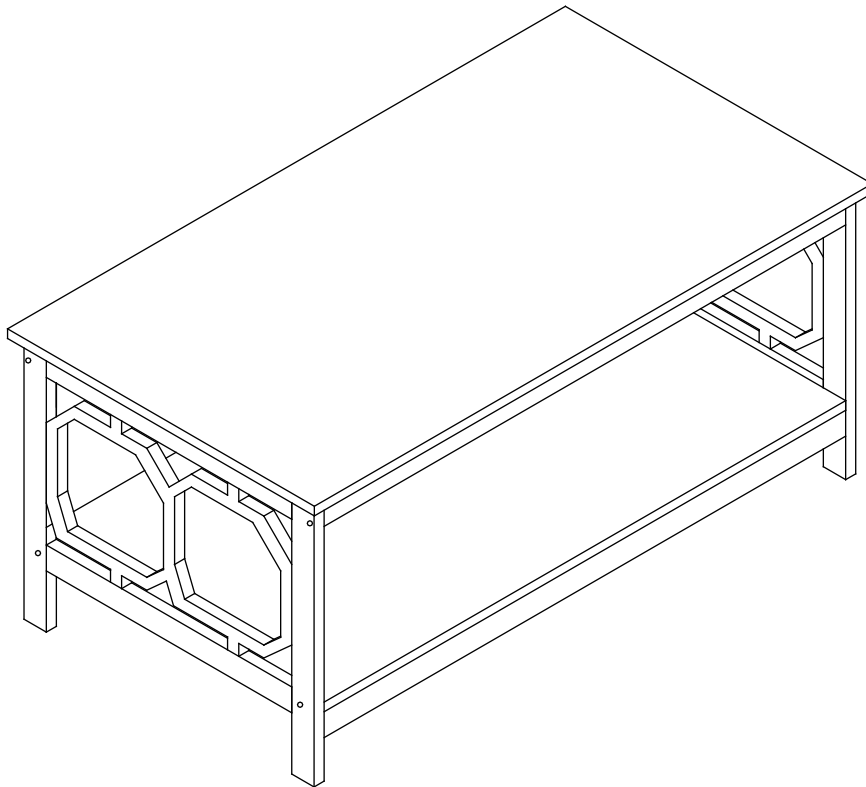


# CONVENIENCE CONCEPTS

Omega Coffee Table  
203220W/203220BL



## Assembly Instructions

We have designed our furniture with you, the customer in mind. Our clear, easy to follow step by step instructions will guide you through the project from start to finish.

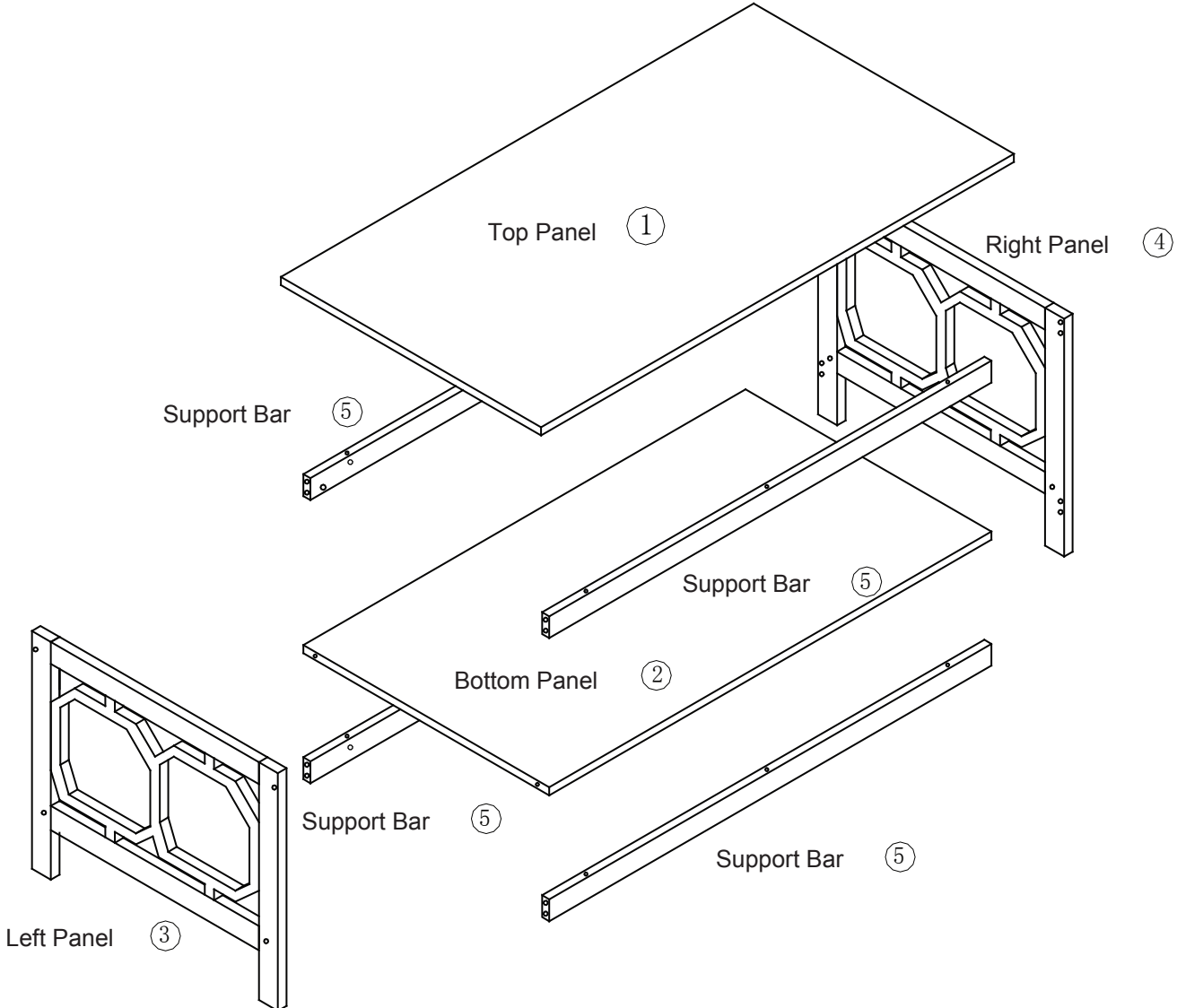
Feel confident that this will be a fun and rewarding project. The final product will be a quality piece of furniture that will go together smoothly and give years of enjoyment.



Please do not return to the store  
Broken or missing Hardware?  
Need help with Assembly?

If you have any questions just call 1-800-468-6447 or email us at  
[parts@convenience-concepts.com](mailto:parts@convenience-concepts.com)

\*Special Note: We recommend the use of a hand held screwdriver to avoid the stripping of screw heads.\*

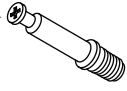



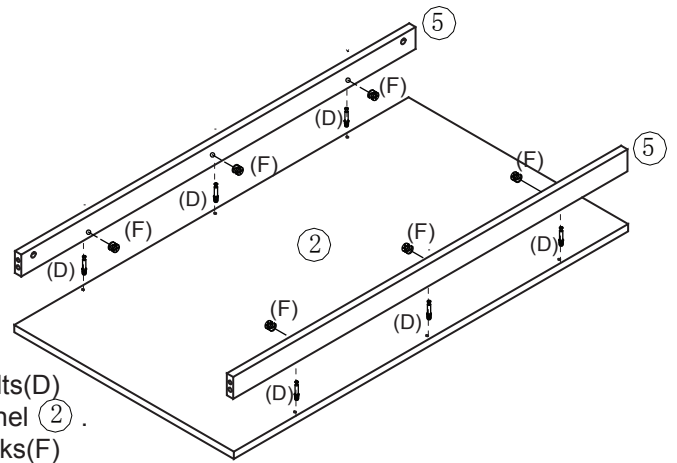
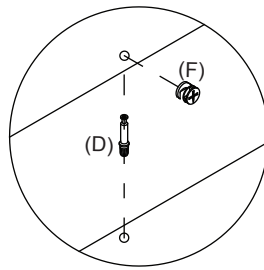
- |                    |             |                 |                  |                 |                  |
|--------------------|-------------|-----------------|------------------|-----------------|------------------|
|                    |             |                 |                  |                 |                  |
| 12 x Wood Dowel(A) | 8 x Bolt(B) | 8 x Lock Nut(C) | 12 x Cam Bolt(D) | 8 x Stickers(E) | 12 x Cam Lock(F) |

**Assembling the unit with cams.**

		<p>Page 2 of 5</p>
<p>Gently screw cam bolt into the threaded anchor.</p>	<p>Insert cam lock with arrow pointing down. Screw the cam firmly into locked position.</p>	

# Step 1

6 X (D)	
6 X (F)	




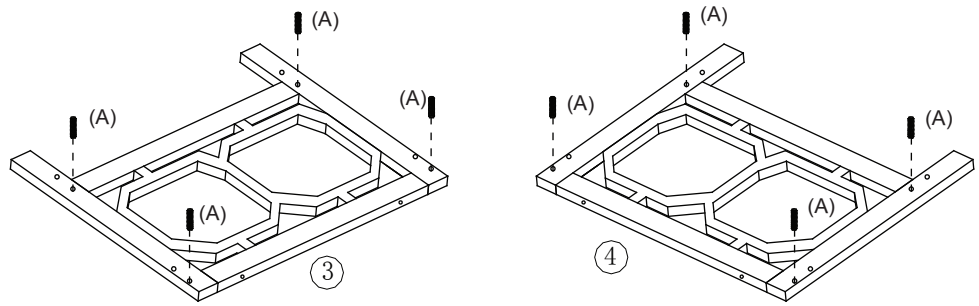
1. Screw Cam Bolts (D) into Bottom Panel (2).
2. Insert Cam Locks (F) into 2 Support Bars (5).
3. Connect Support Bars (5) to Bottom Panel (2) by gently tightening Cam Locks (F).

**NOTE:**

Assemble console on carpet or other soft surface to avoid scratching.

# Step 2

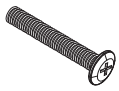

8 X (A)	
---------	---

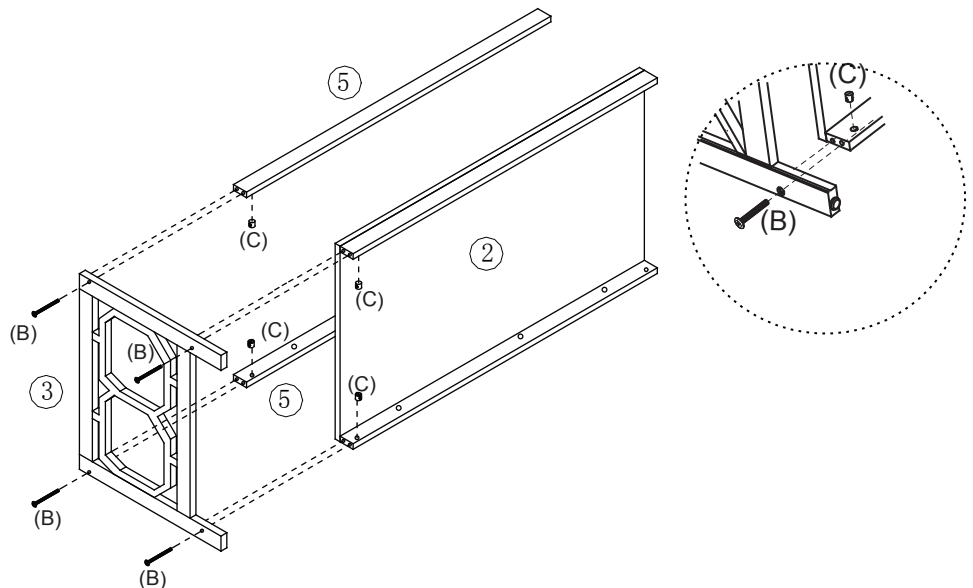


1. Insert Wood Dowels (A) into Left Panel (3) and Right Panel (4).

# Step 3

\*Note: Use extreme care when handling Support Bars (5) during assembly to avoid breakage.



4 X (B)	
4 X (C)	

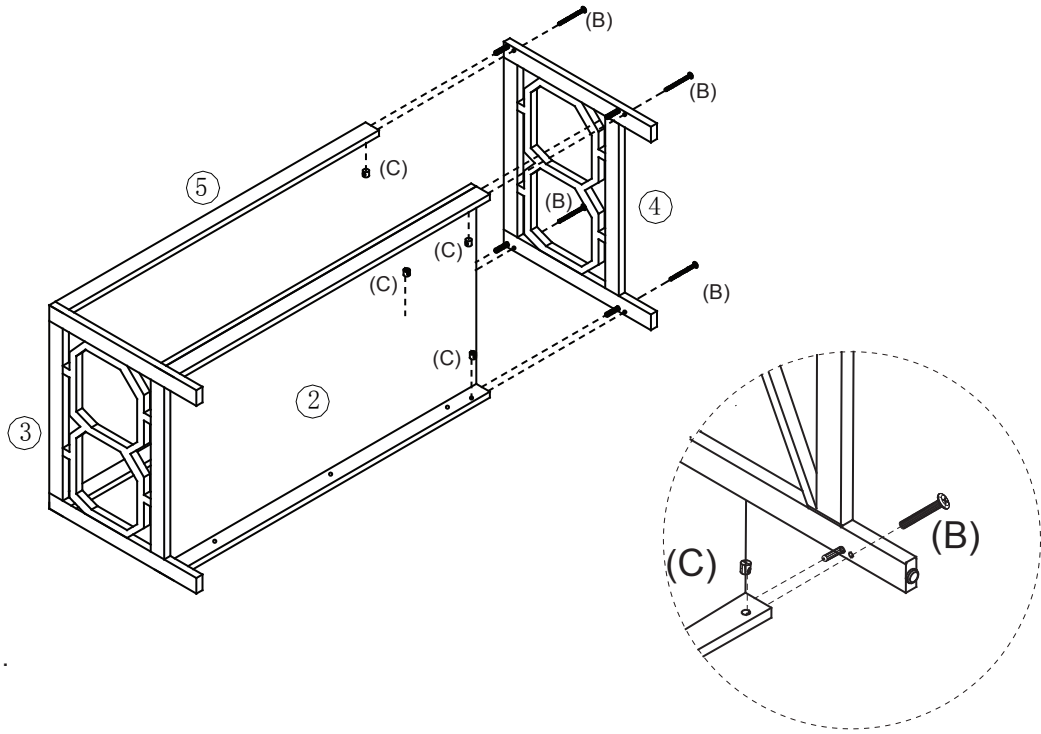


1. Carefully connect left panel (3) to Support Bar (5) and bottom Panel (2) using Bolts (B) and Lock Nuts (C).

\*Make sure threads of Lock Nuts (C) face Bolt (B) entrance.\*


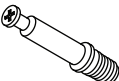
# Step 4

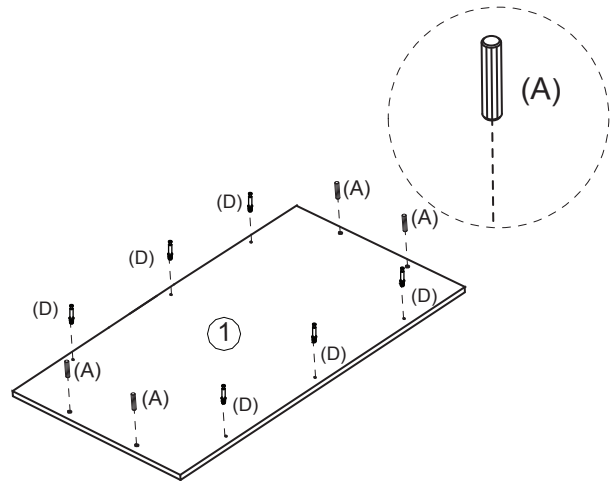
4 X (B)	
4 X (C)	



1.Repeat Step 3 using Right Panel (4) .


# Step 5

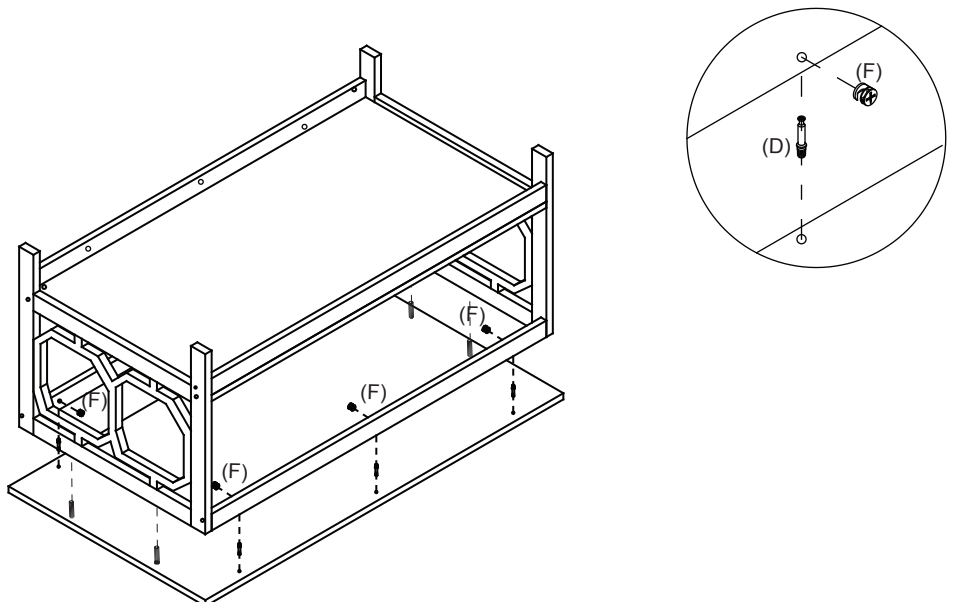
4 X (A)	
6 X (D)	



1.Insert Wood Dowels (A) and Screw Cam Bolts (D) into Top Panel (1) .

# Step 6

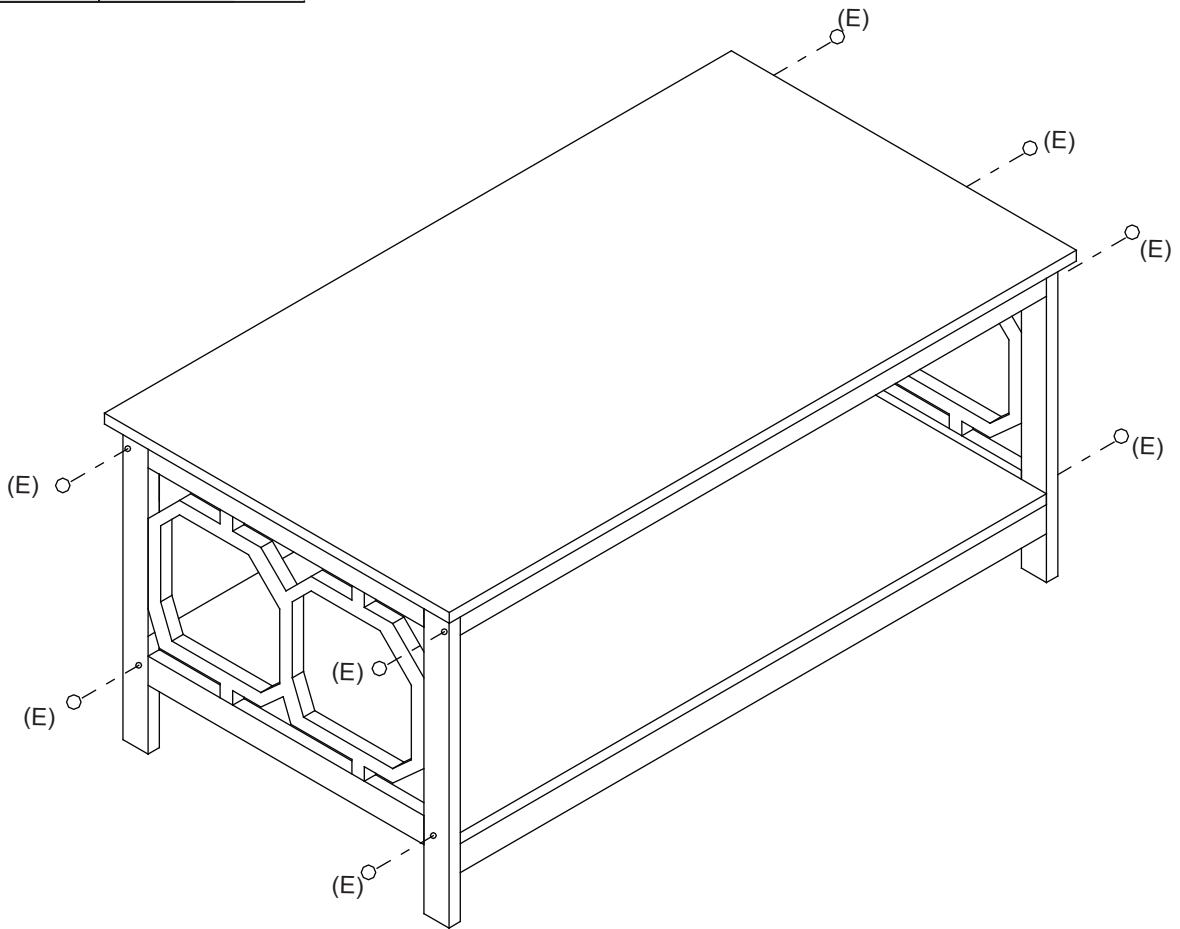
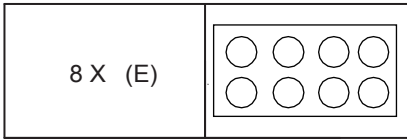
6 x (F)	
---------	---



1.Connect assembly to Top Panel (1) using Cam Locks (F).

\*Be advised there are 3 Cam Locks (F) on opposite side not visible on diagram.\*

# Step 7



- 1.If desired, place Stickers (E) over screw holes.
- 2.Enjoy.