



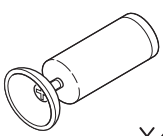
# FVN3312

## CONTENTO

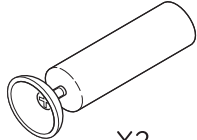
### INSTALLATION GUIDE



### PARTS:



X4



X2



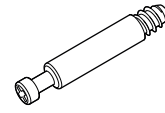
X3



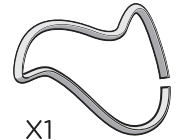
X6



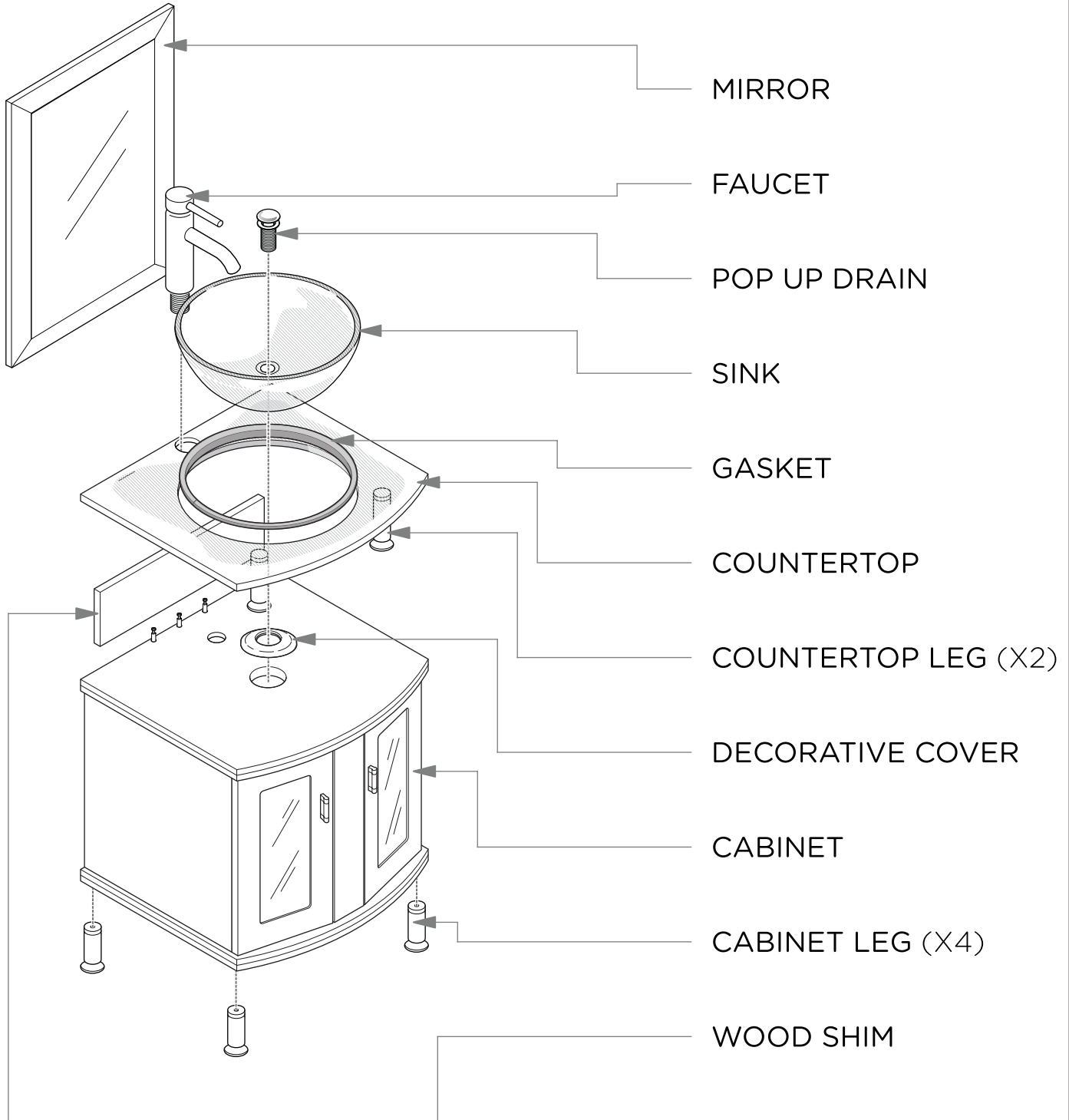
X1



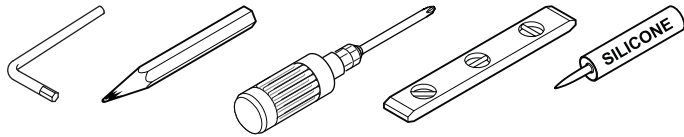
X3



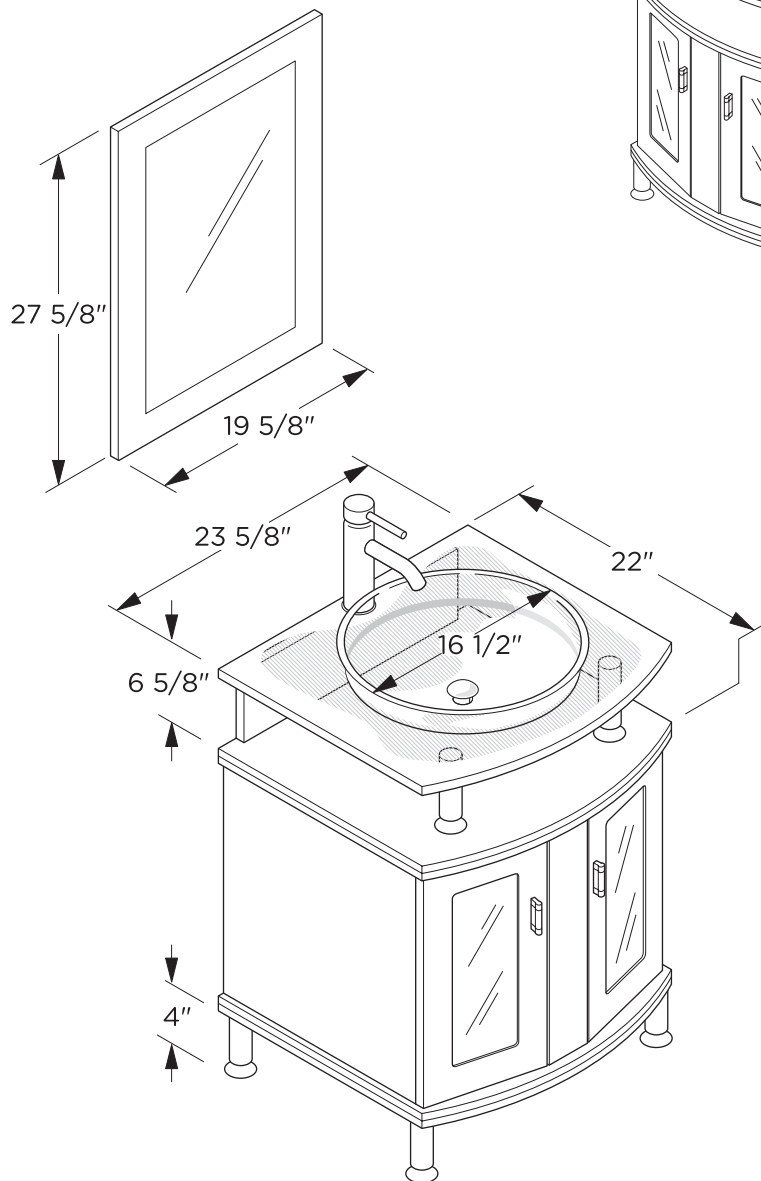
X1



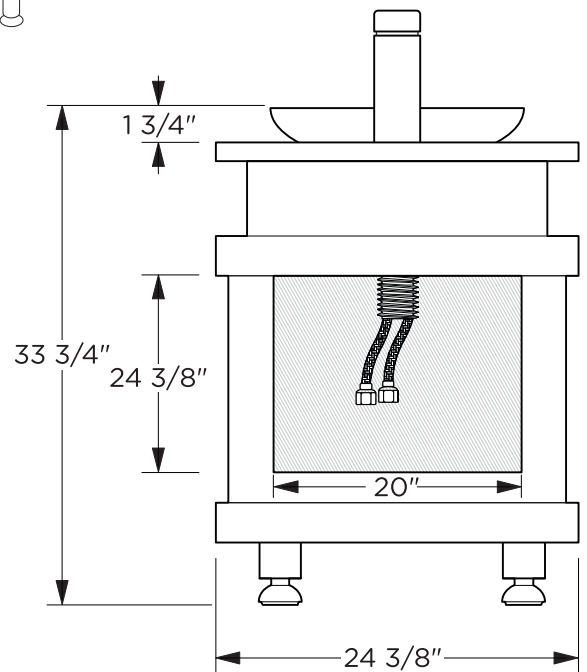
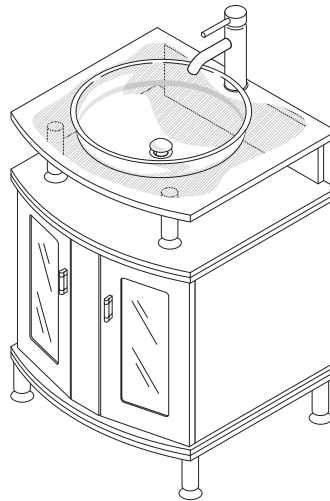
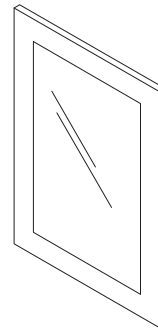
## TOOLS REQUIRED FOR ASSEMBLY



## DIMENSIONS:



Vanity Front

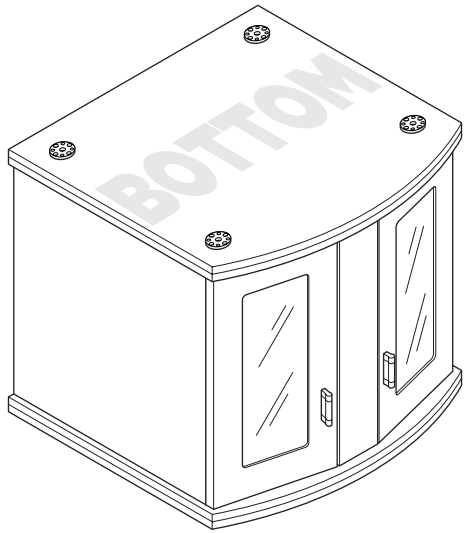


Vanity Back

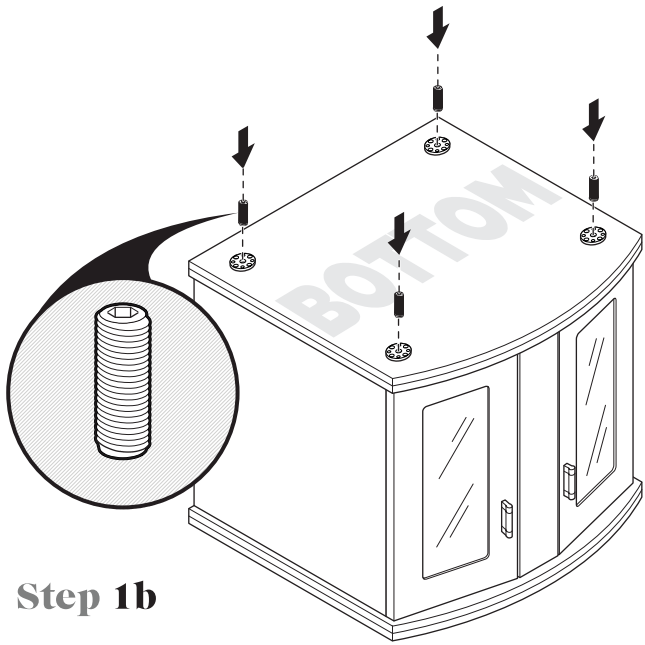
**Note:**  
All dimensions & specifications are approximate and subject to change without notice.

# LEGS INSTALLATION:

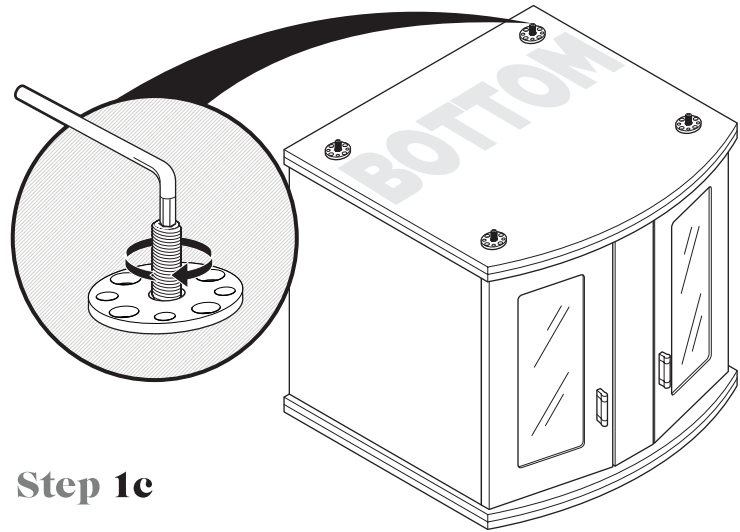
1.



Step 1a

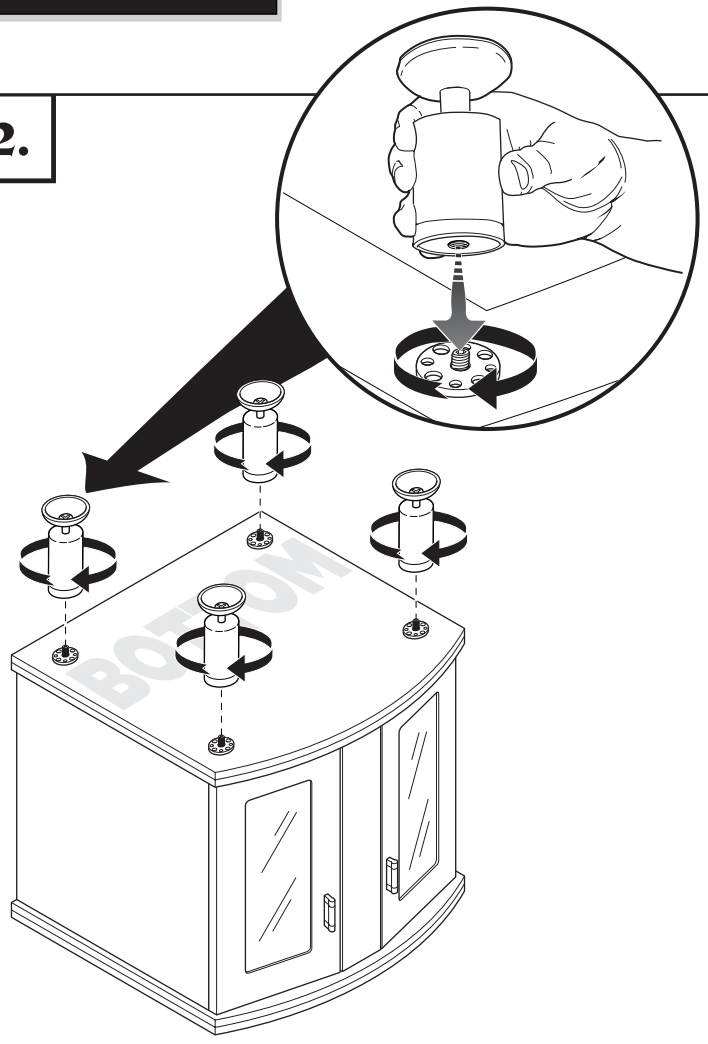


Step 1b

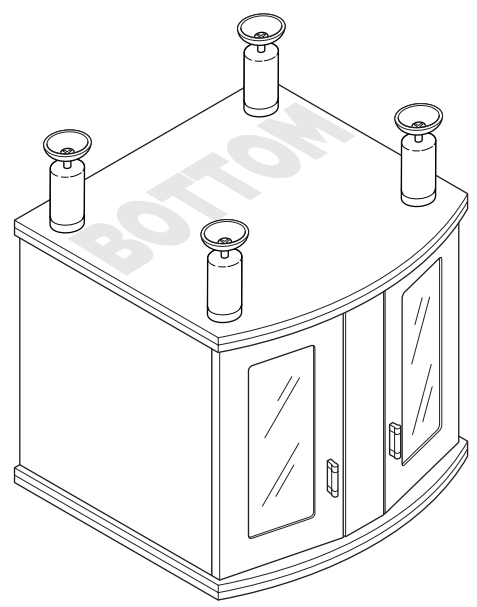


Step 1c

2.

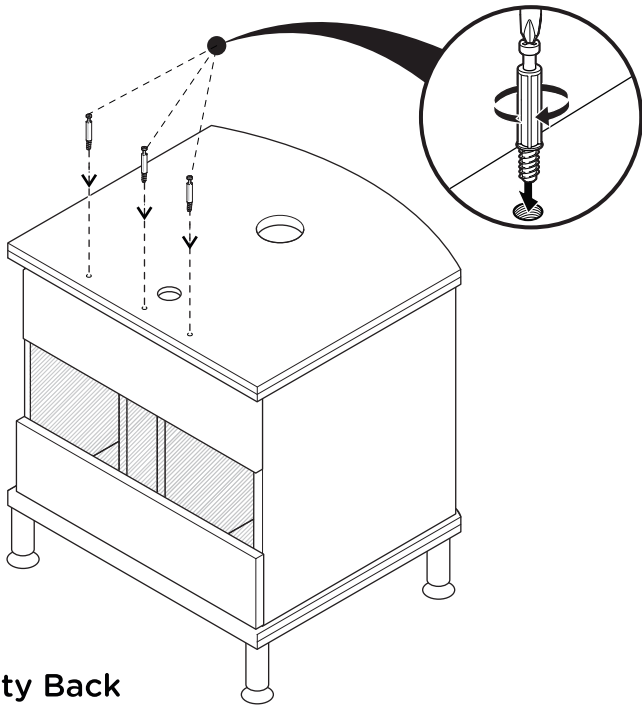


3.



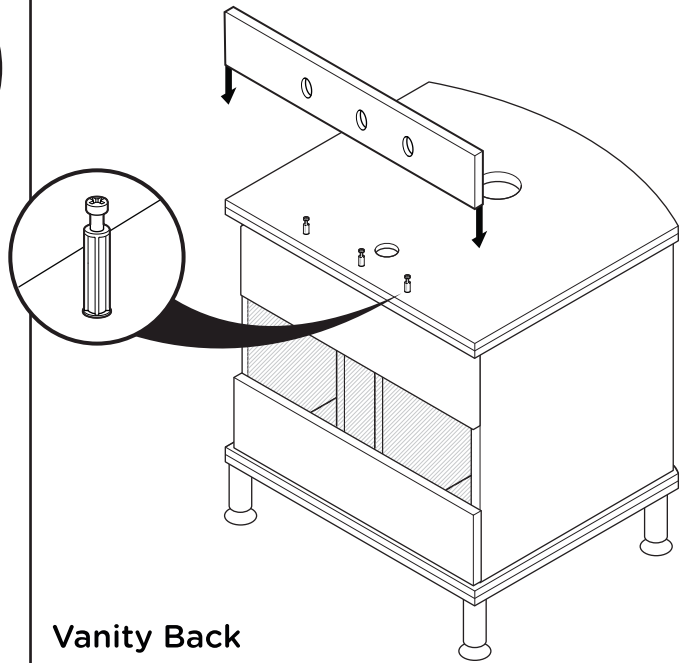
# WOOD SHIM INSTALLATION:

1.



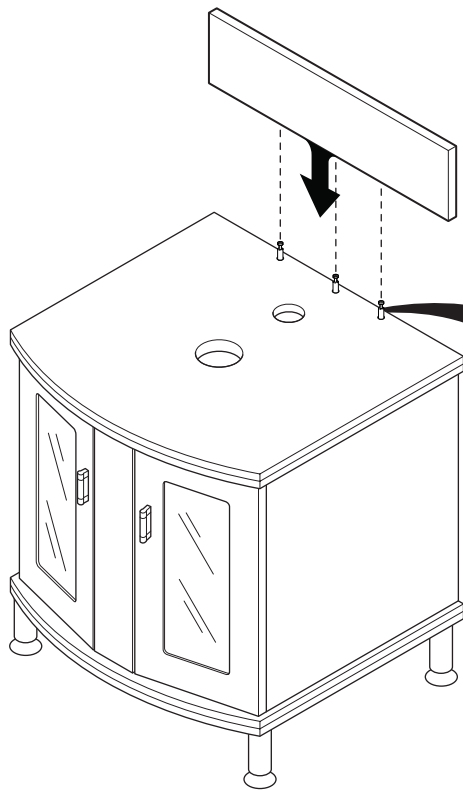
Vanity Back

2.



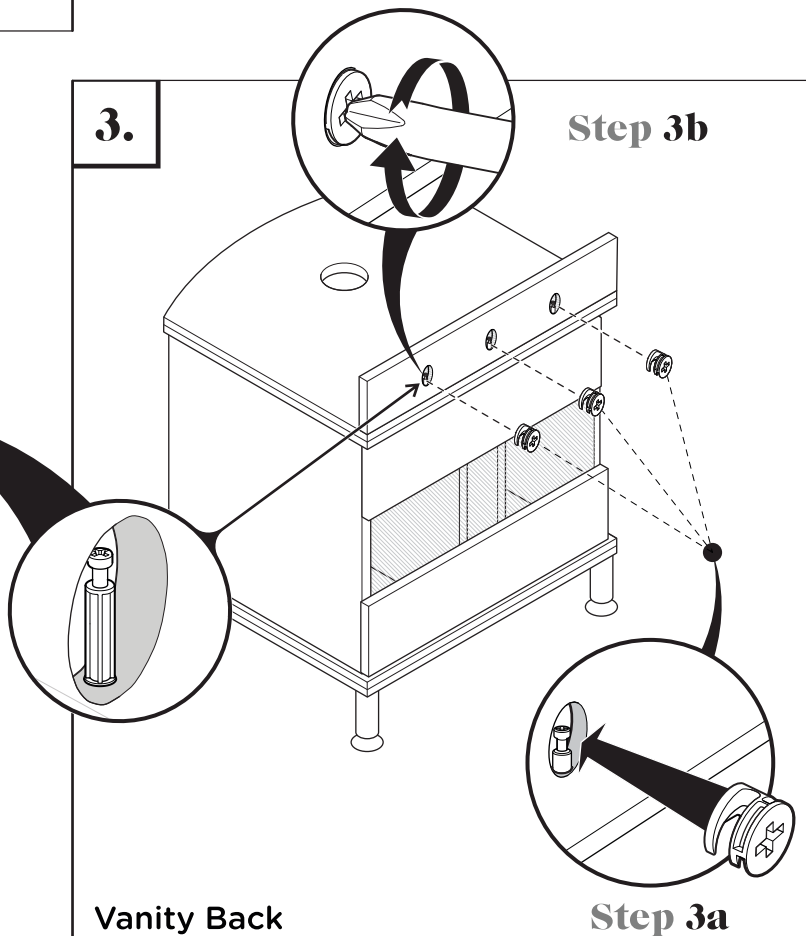
Vanity Back

Step 2  
FRONT  
VIEW



Vanity Front

3.



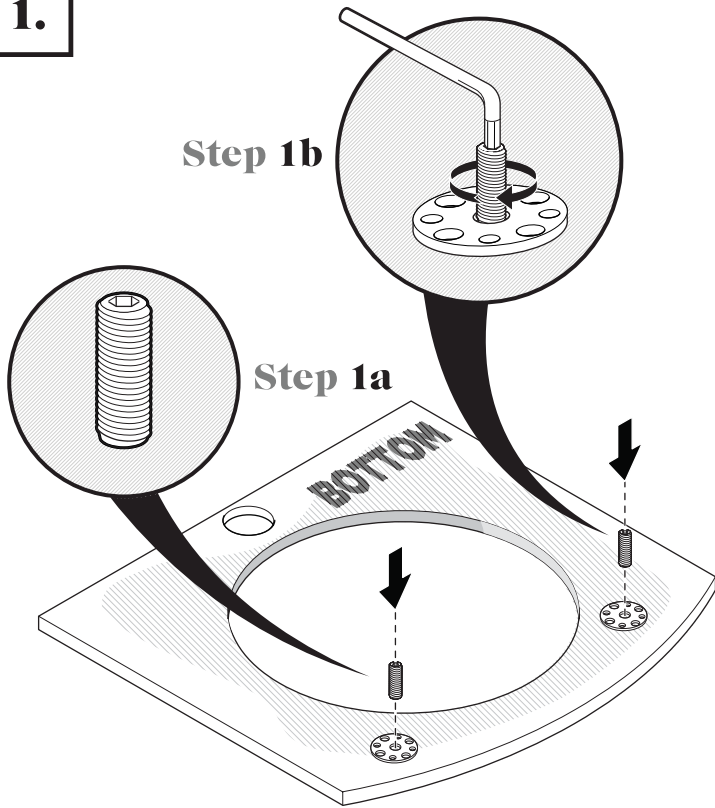
Vanity Back

Step 3b

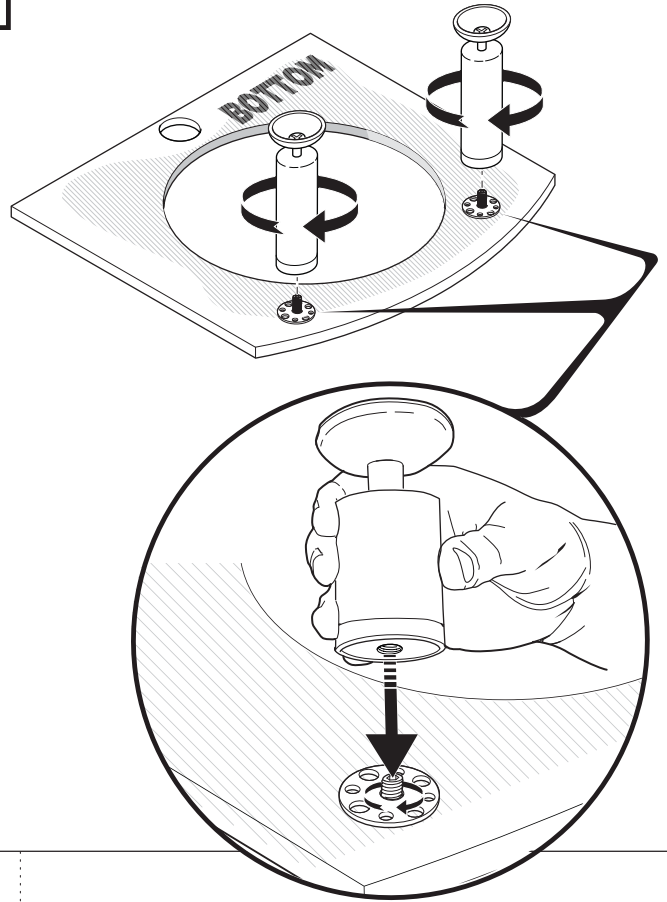
Step 3a

# COUNTERTOP INSTALLATION:

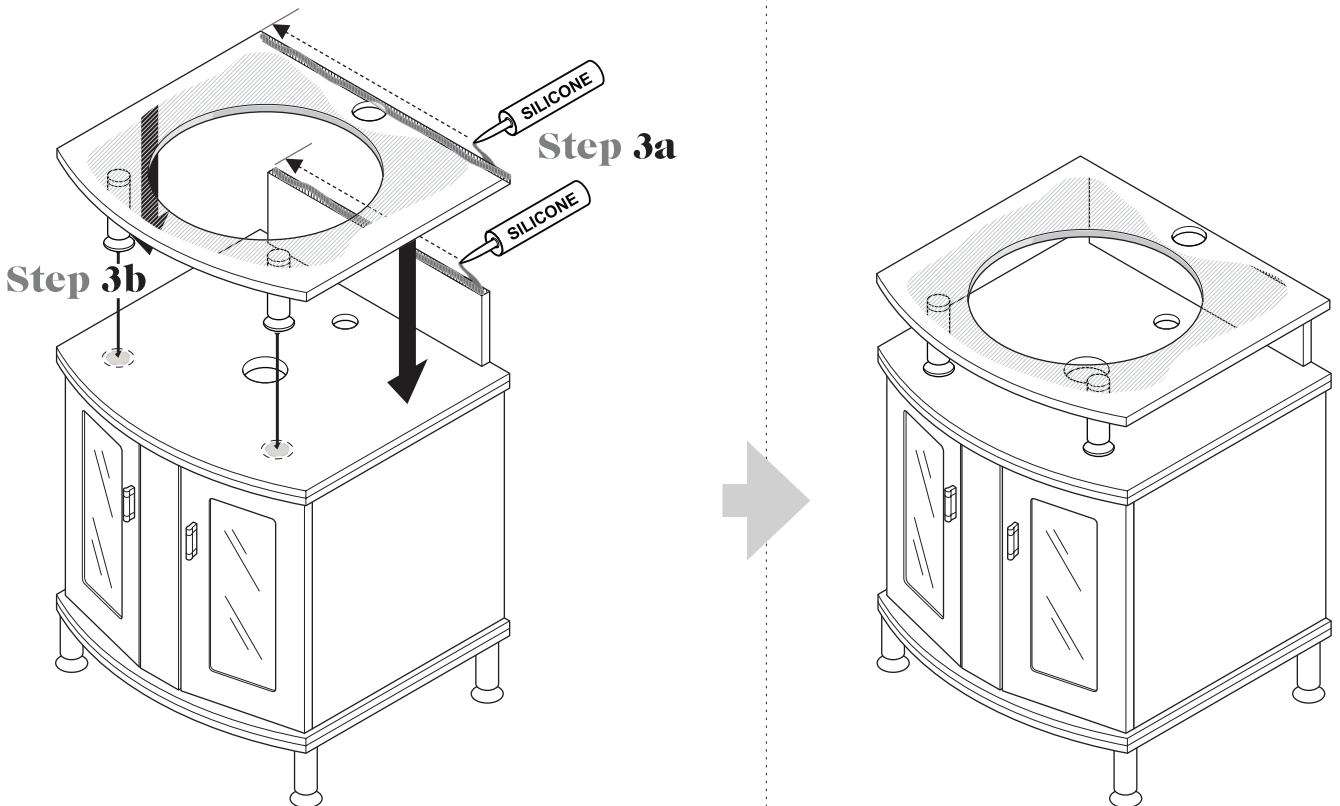
1.

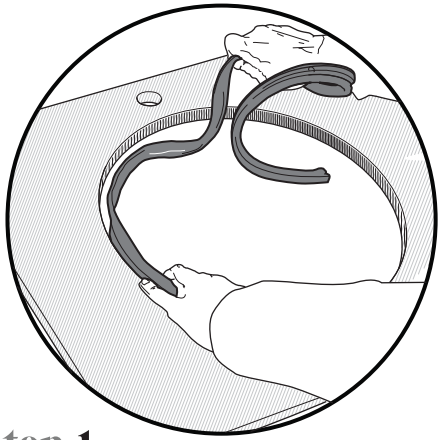


2.



3.

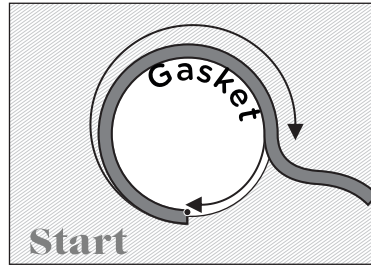




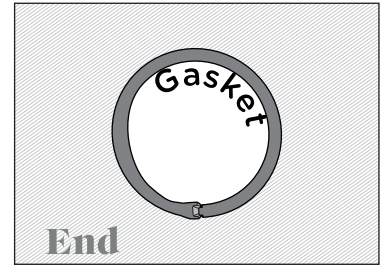
**Step 1**

**GASKET & SINK INSTALLATION:**

Countertop (Top View)

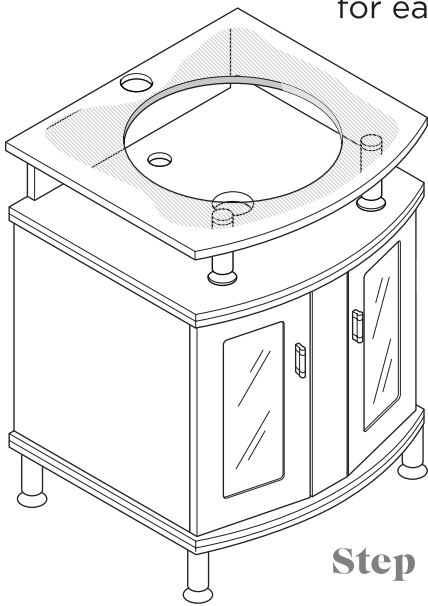


Countertop (Top View)

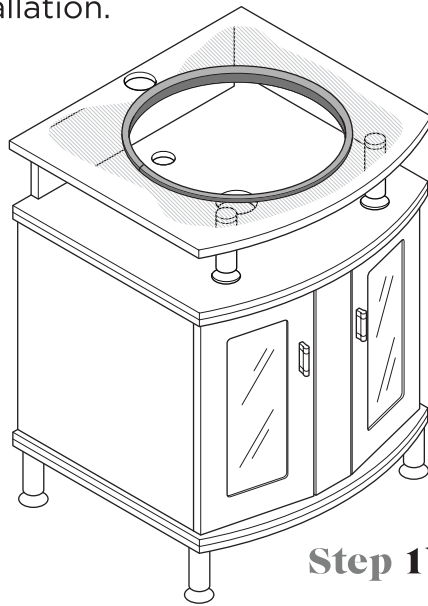


**1.**

**\*NOTE\***  
Heat gasket in hot water  
for easy installation.

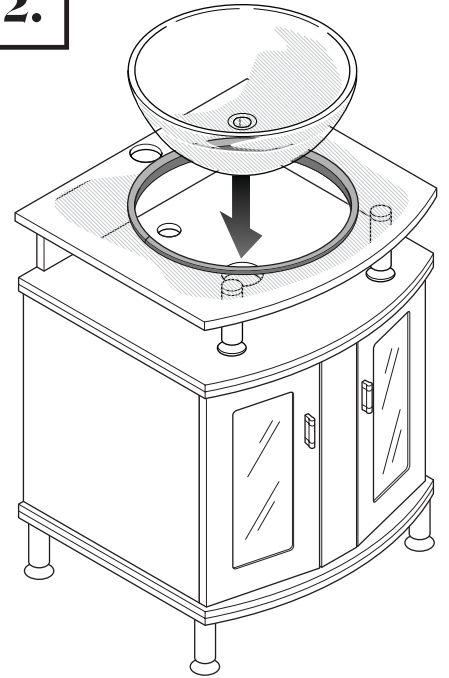


**Step 1a**

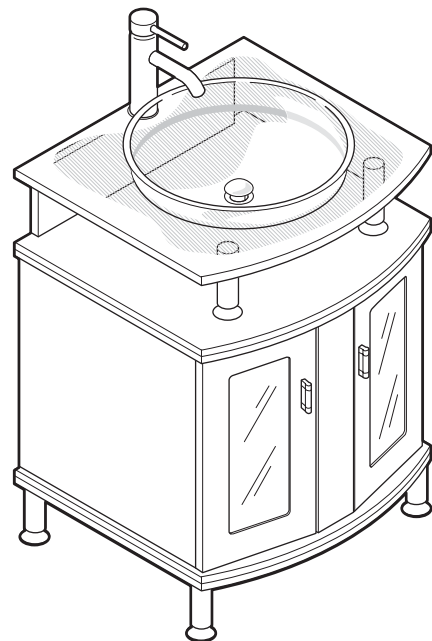
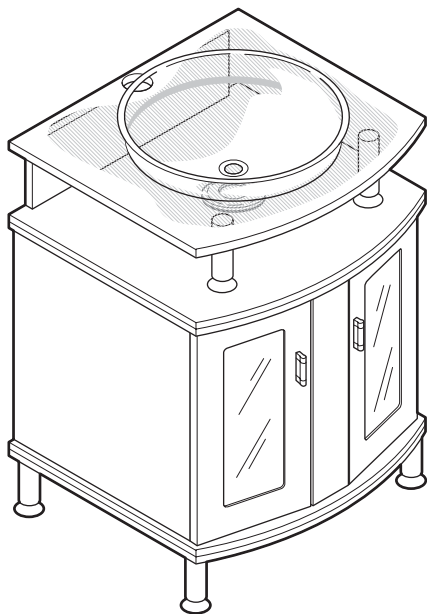


**Step 1b**

**2.**



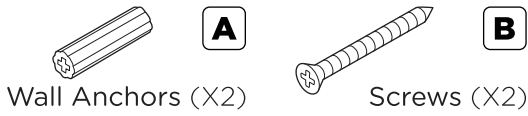
**3.**





# MIRROR INSTALLATION:

## PARTS

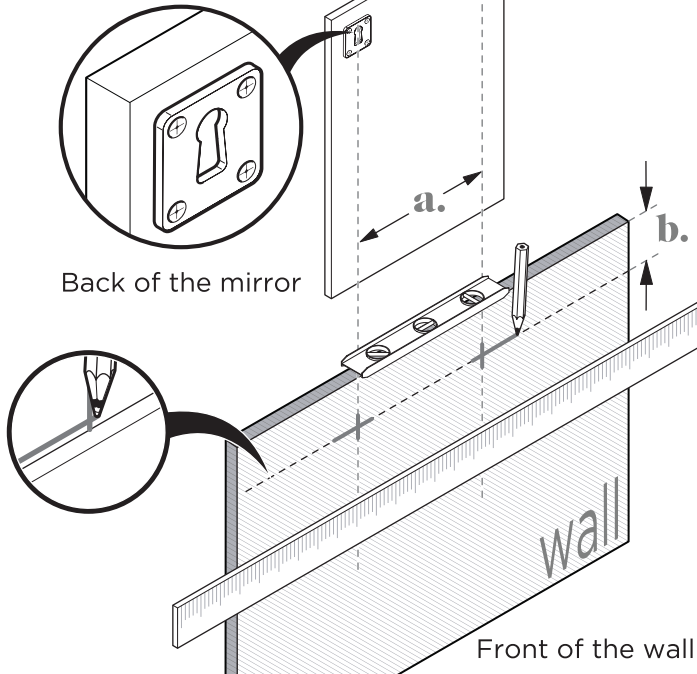


## TOOLS FOR ASSEMBLY



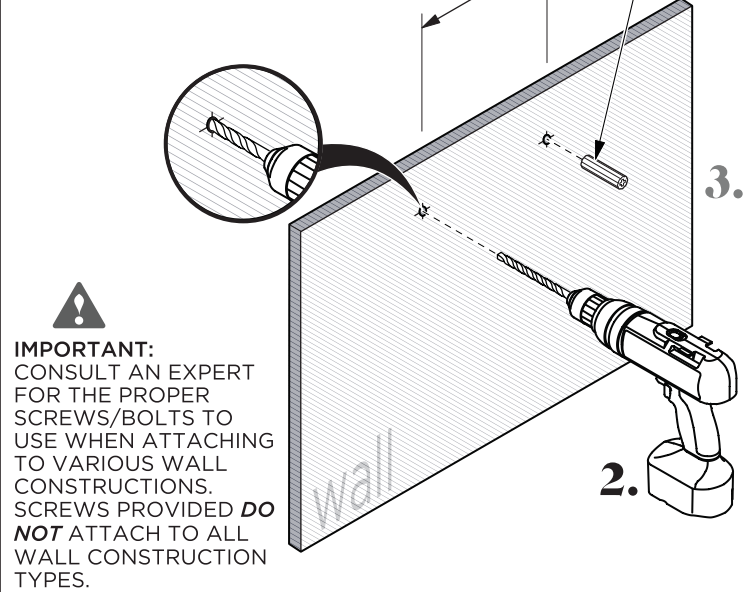
1. Measure distance between both keyhole cutouts and mark the center points.

### Keyhole Cutout

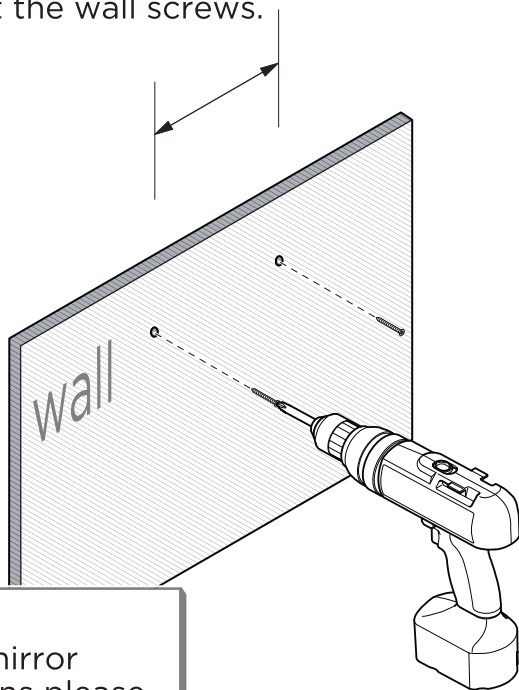


2. Drill marked location of the screws on the wall.

3. Insert the wall anchors (\*If applicable).

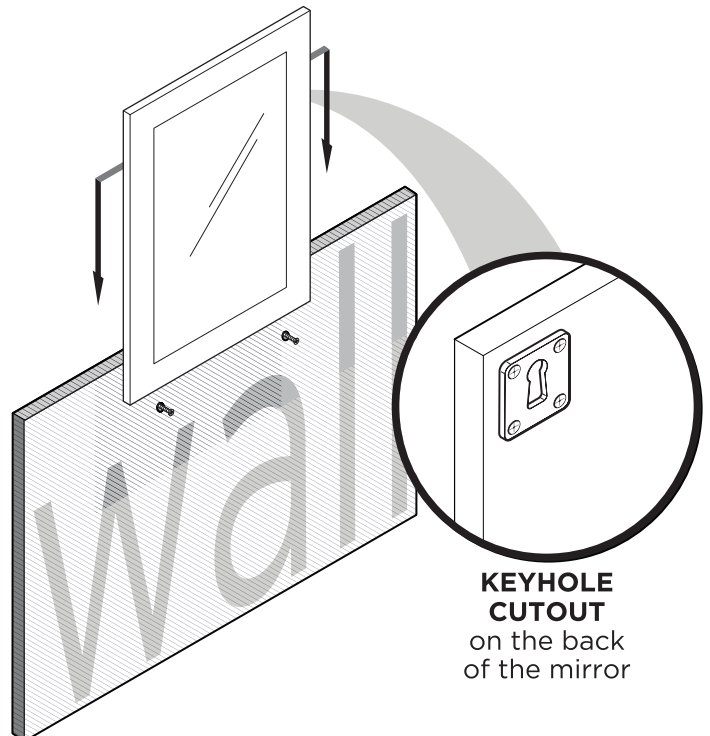


4. Insert the wall screws.



**Note:**  
For the mirror dimensions please see PAGE 2.

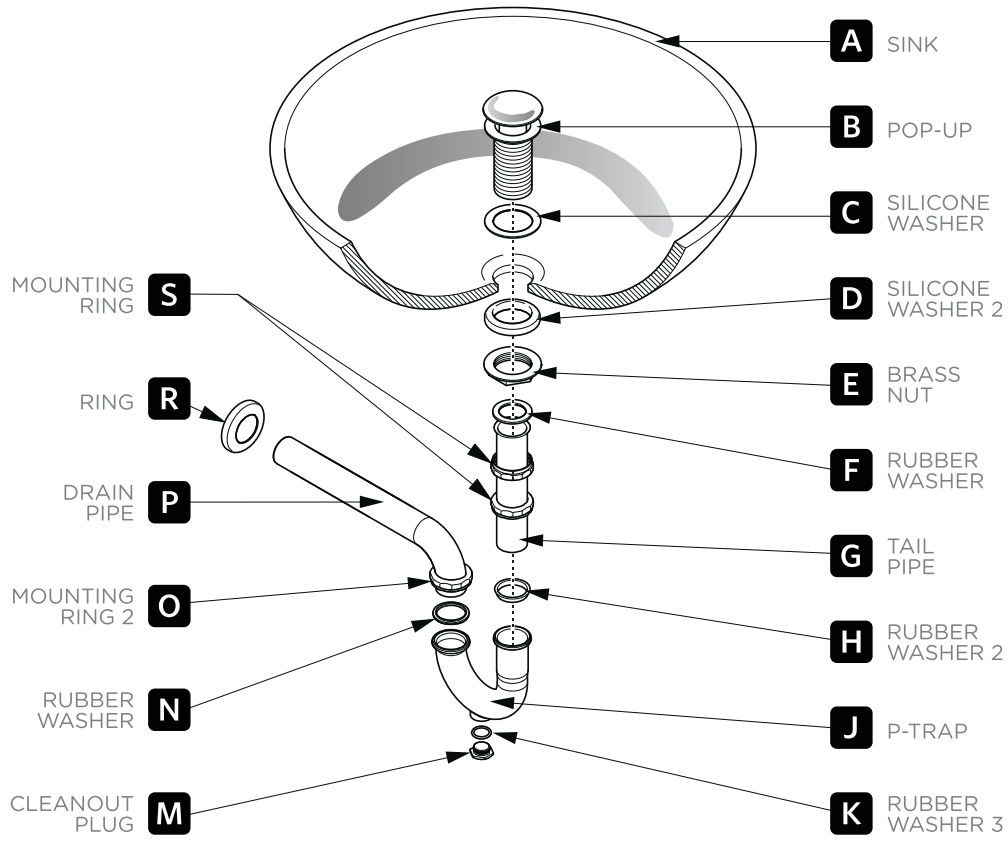
5. Hang up the mirror by placing each keyhole cutout securely over the screws.



# P-TRAP & POP-UP

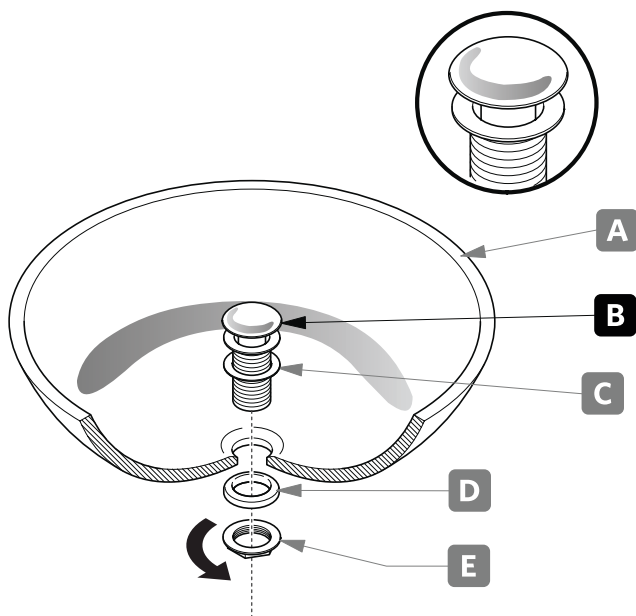
## INSTALLATION INSTRUCTIONS

YOUR ITEM MAY APPEAR SLIGHTLY DIFFERENT FROM THE ILLUSTRATION.



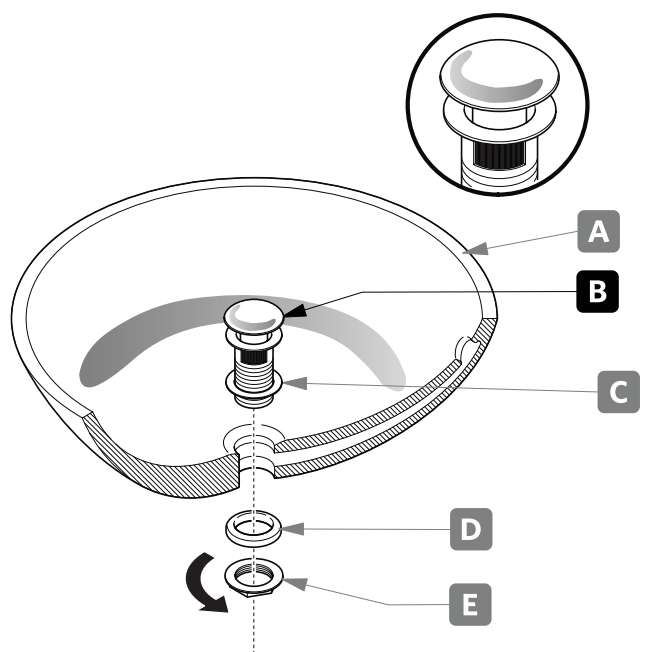
## POP-UP INSTALLATION

FOR SINKS  
WITHOUT OVERFLOW



OR

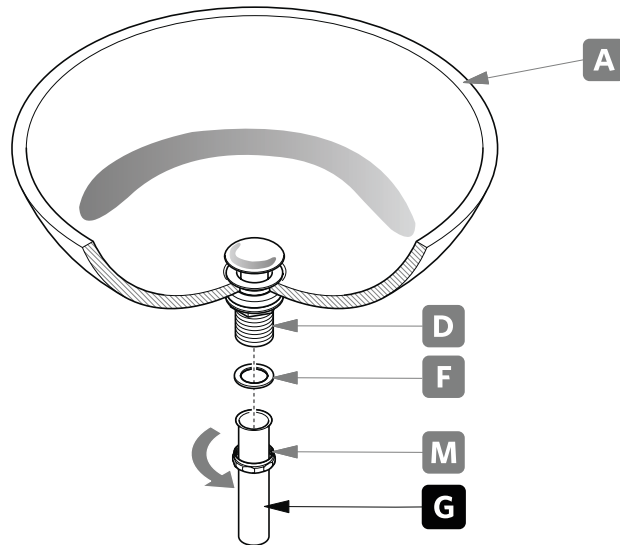
FOR SINKS  
WITH OVERFLOW





# P-TRAP INSTALLATION

1. Install tail pipe (G).



2. Install P-trap (J).

