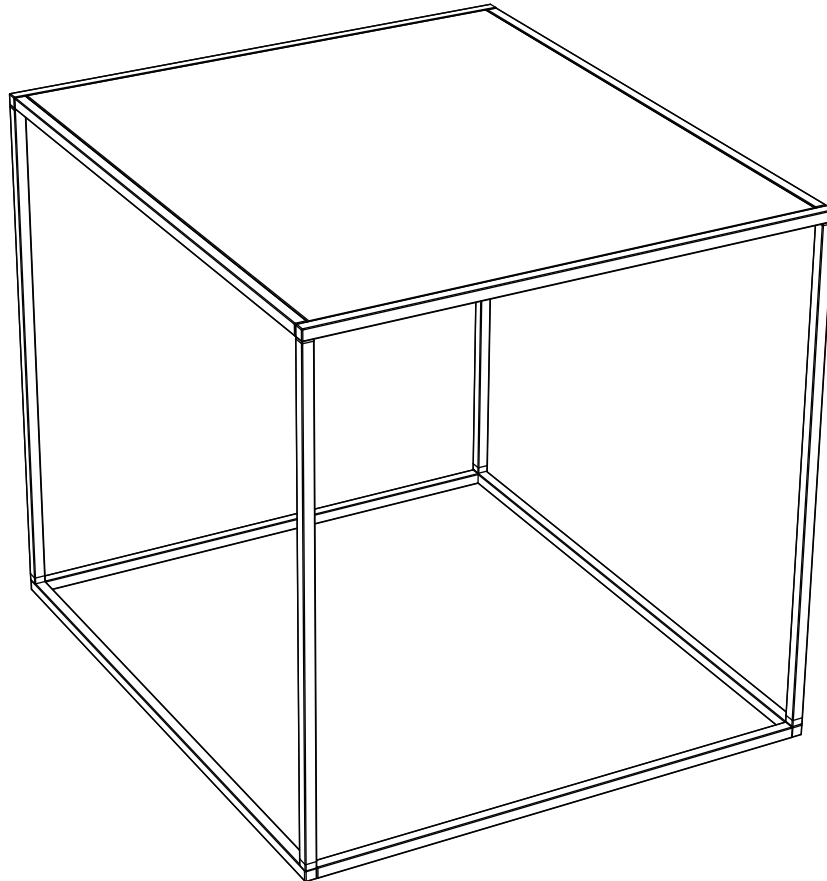


# CONVENIENCE CONCEPTS

## GOLD COAST FAUX MARBLE END TABLE

413445M



### ASSEMBLY INSTRUCTIONS

---

We have designed our furniture with you , the customer in mind . Our clear , easy to follow , step by step instructions will guide you through the project from start to finish . Feel confident that this will be a fun and rewarding project . The final product will be a quality piece of furniture that will go together smoothly and give years of enjoyment .

---





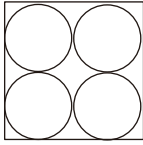
Please do not return to the store

Broken or missing parts?

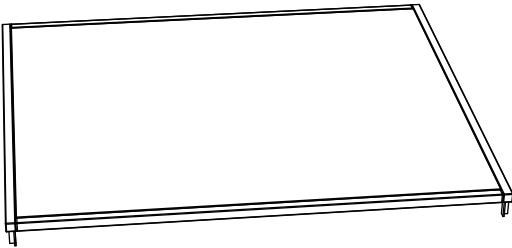
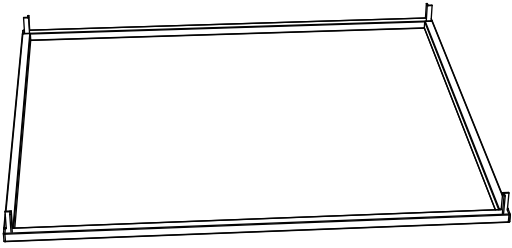

Need help with assembly?

If you have any questions just call 1-800-468-6447 or email us at [parts@convenience-concepts.com](mailto:parts@convenience-concepts.com)

## Hardware List

<b>A</b> 	<b>B</b> 	<b>C</b> 
Bolt ( 16pcs )	Allen wrench ( 1pc )	Foot ( 1pc )

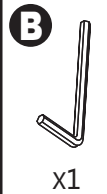
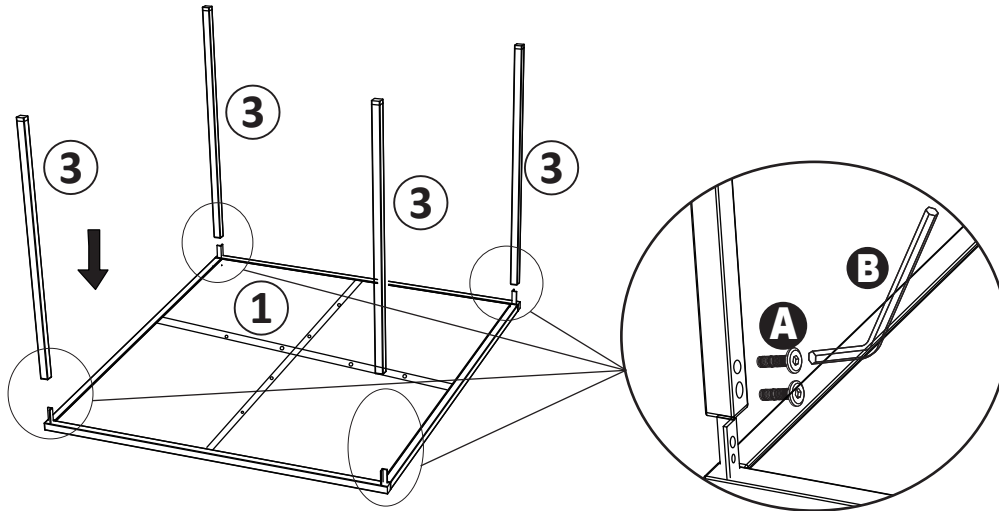
## Panel List

<b>1</b> 	<b>2</b> 
Top panel ( 1pc )	Bottom frame ( 1pc )
<b>3</b> 	Support frame ( 4pcs )

## Step 1

\*Assemble face down on carpet or soft surface.\*

1. Connect support frames (3) to top panel (1) as shown using bolts (A) and allen wrench (B).



## Step 2

1. Connect bottom frame (2) to support frames (3) as shown, using bolts (A) and allen wrench (B). Attach feet (C) to four corners of bottom frame (2).
2. Turn table over and enjoy.

