
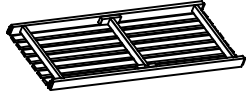
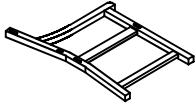
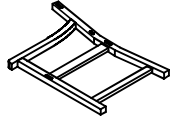
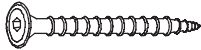
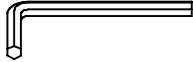


Part List

PIECE	DESCRIPTION	PICTURE	QUANTITY
A	Back		1x
B	Seat		1x
C	Left side		1x
D	Right side		1x

Hardware List

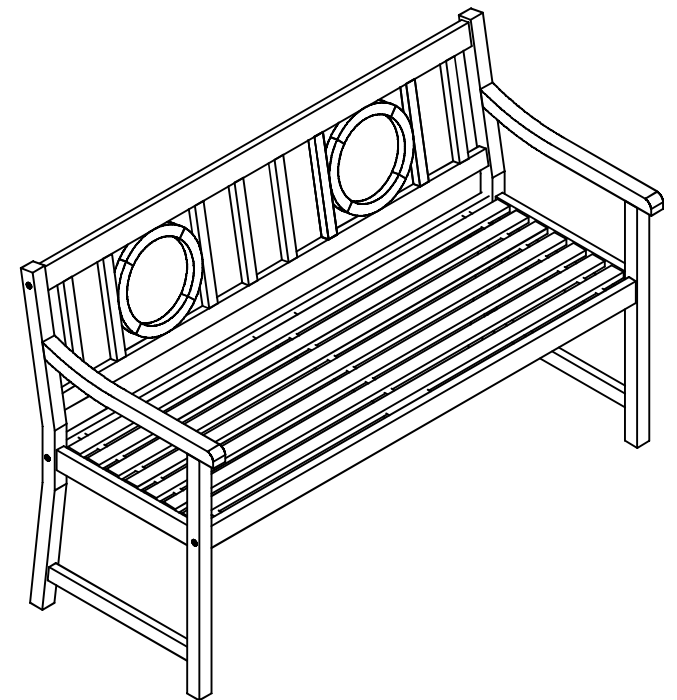
PIECE	DESCRIPTION	PICTURE	QUANTITY
HW1	Allen screw	 M6x70	6x
HW2	Allen Key		1x

JY

JONATHAN Y

MODEL# BNH104

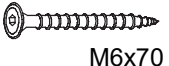
Product Dimension: 51.2"L x 22"D x 32.7"H

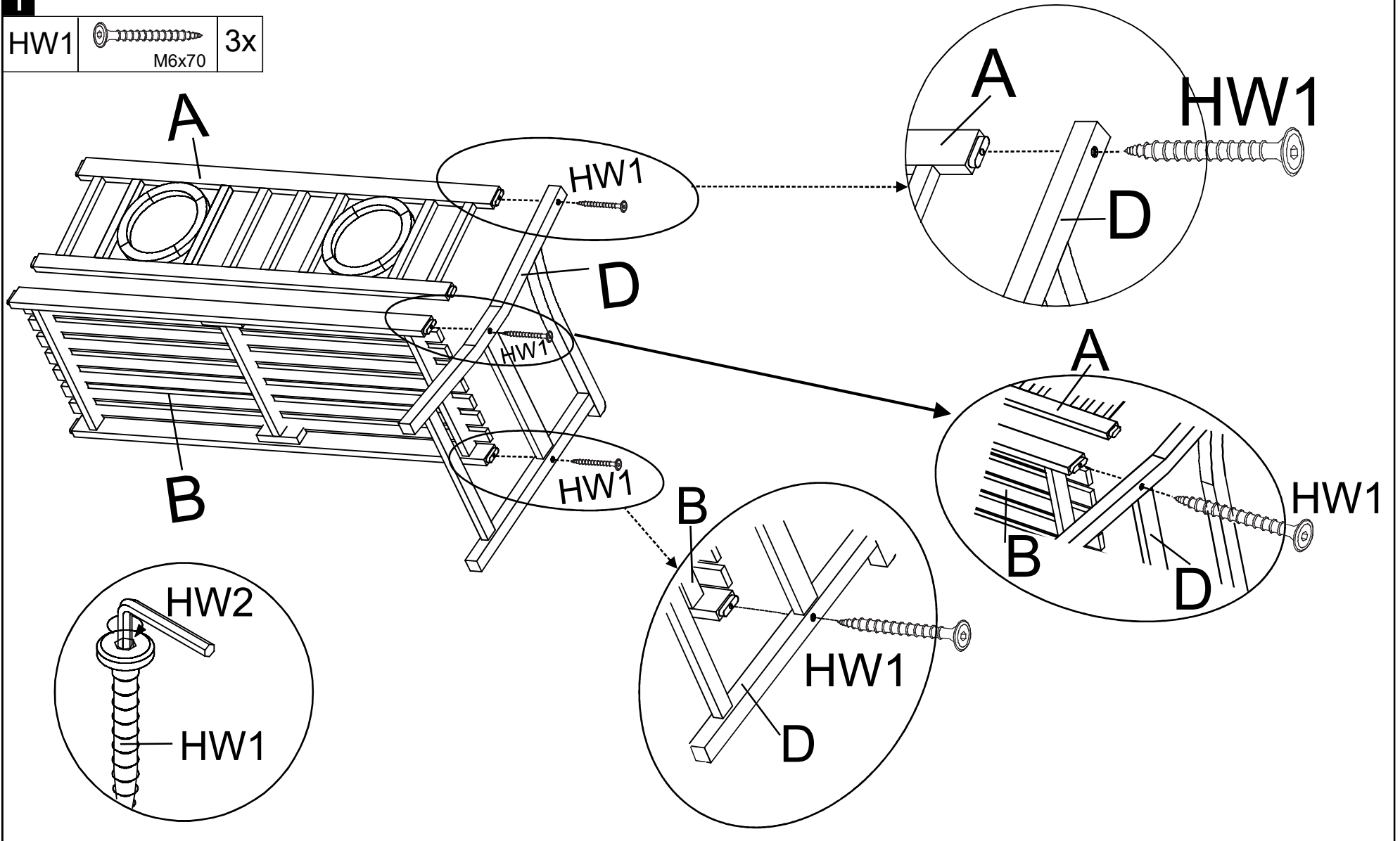


PREPARATION

Tool required for assembly (included): Allen Key.

1

HW1		3x
	M6x70	



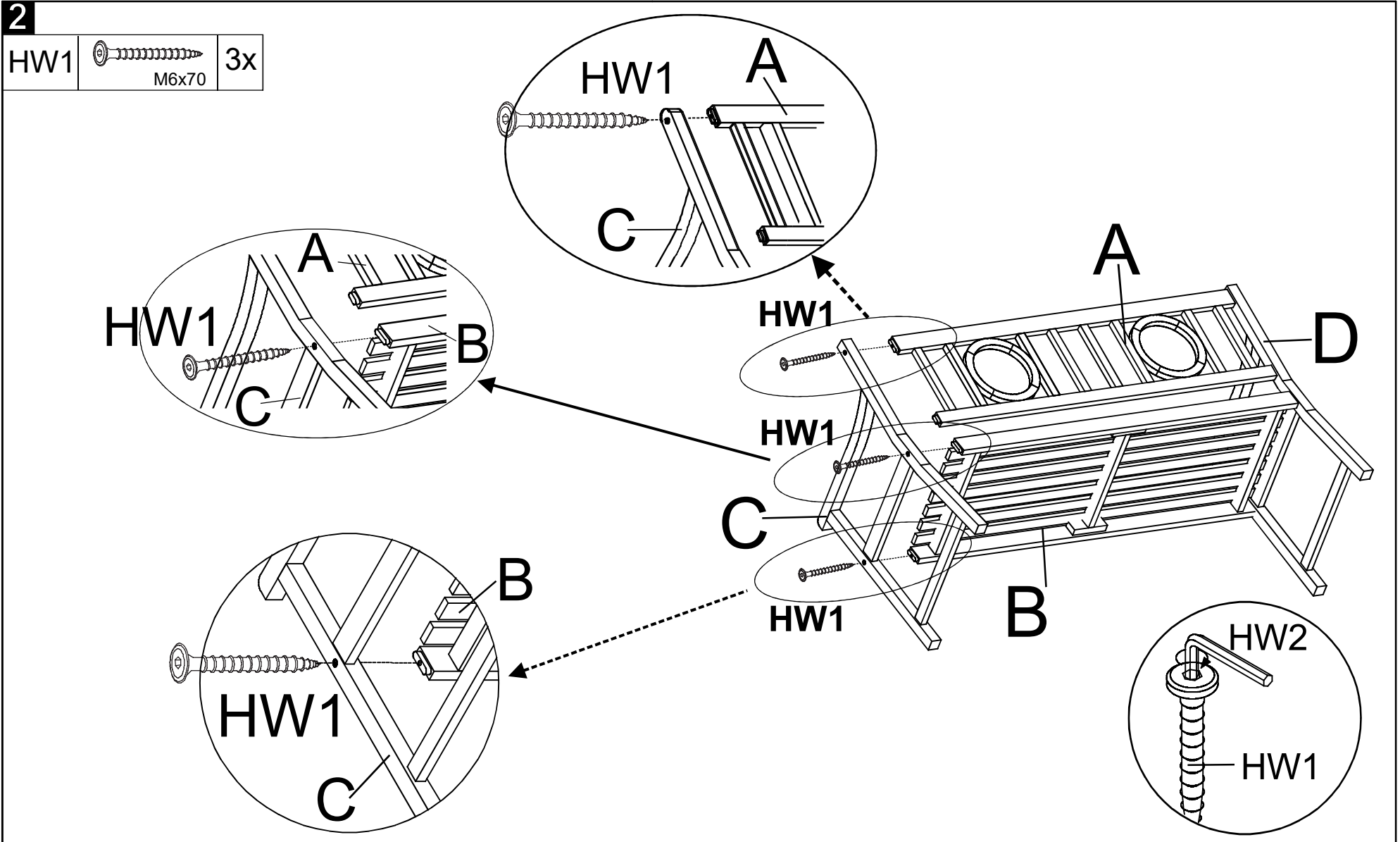
Step 1: Attach the Right side (D) to the Back (A) and the Seat (B) as shown in the picture .Using the Allen screw (HW1) to fix the Back (A) , Seat (B) by the Allen key (HW2).

PREPARATION

Tool required for assembly (included): Allen Key.

2

HW1		3x
	M6x70	



Step 2: Attach the Left side (C) to the Back (A) and the Seat (B) as shown in the picture .Using the Allen screw (HW1) to fix the Back (A) , Seat (B) by the Allen key (HW2) .