

YOSEMITE HOME DECOR



YFUR-VAIF133

W/N&IRON INDUSTRIAL COLL. ADJUSTABLE TABLE

Important Safety Instructions:

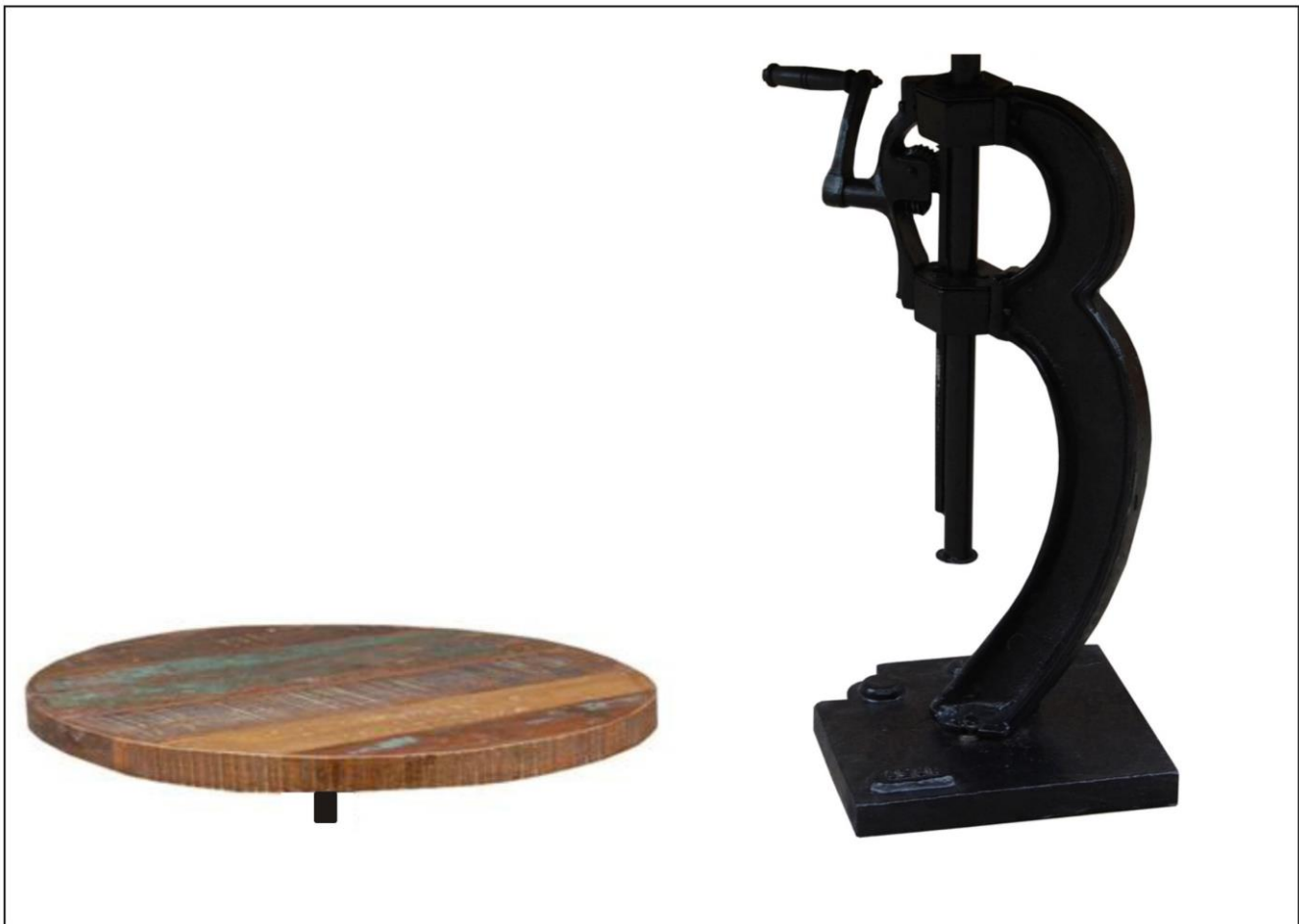
- Please read all instructions carefully before assembling.
- For your safety, assembly by two or more adults is strongly recommended.
- Keep instructions for future use.
- Use only vendor supplied hardware to assemble. Using unauthorized hardware could jeopardize the structural integrity of the item.

Pre-assembly:

- Remove all parts and hardware from the box and lay out on a clear carpeted or scratch-free work surface, as this will avoid damaging parts during assembly. The shipping box provides an ideal work surface.
- Do not dispose of any packaging or contents of the shipping carton until assembly is completed to avoid accidentally discarding small parts or hardware.
- Use the parts and hardware lists below to identify and separate each of the pieces included.
- The illustrations provided allow for easier assembly when used in conjunction with the assembly instructions.
- The use of power tools to aid in assembly is not recommended. Power tools can damage hardware and split wood.

Parts Included:

- (A) Table top 1pc
- (B) Table base 1pc
- (C) Wrench 1pc

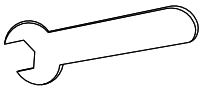


(A)

(B)

Tool Required (included):

(C)



Wrench

Assembly Instruction Steps:

1. The table is shipped with the handle assembled on the inside of table base for ease of packaging. You will need to disassemble the handle and re-assemble it as shown below. Tighten the outside nut using the wrench (C). See **Fig. 1 and 2.**

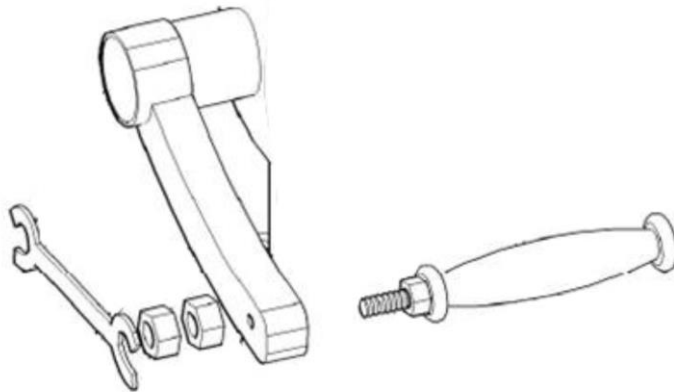


Fig.1

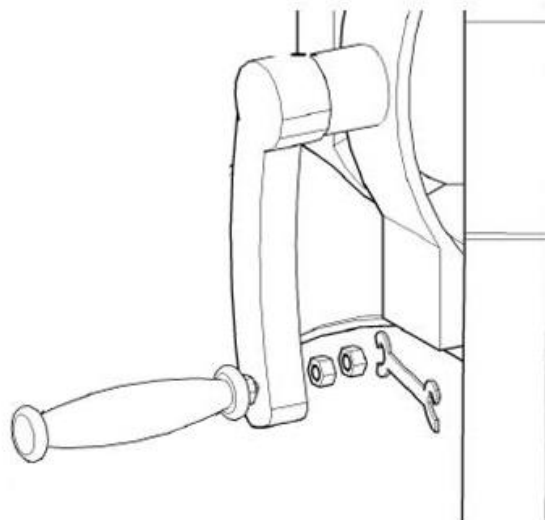


Fig.2

2. Assemble the table top (A) to the table base (B) by inserting the threaded rod on underside of the table top to the table base metal tube **Fig. 3**. Rotate table top clockwise until it is securely attached to the table base.



Fig.3

COMPLETE ASSEMBLED

Care Instructions:

- Dust often using a clean, soft, dry and lint-free cloth.
- Blot spills immediately and wipe with a clean, damp, cloth.
- We do not recommend the use of chemical cleansers, abrasives or furniture polish on our lacquered finish.
- Hardware may loosen over time. Periodically check to make sure all connections are tight. Re-tighten if necessary.

**Thank you for your purchase
Stores | catalog**