



20 : 00

estimated assembly
+ installation time



2 or more

people required

Ok, let's
get started!



- Put on mood music!
- To prevent damage to product, use the clean side of package carton or rug as working surface.
- In the event of missing or damaged parts, delivery problems etc., please reach out to our team.
We will be happy to fix the problem!

care guide

- Clean regularly with a soft and dry cloth.
- To protect finish, avoid use of abrasive cleaners.
- Wipe up spills immediately. Please!



product parts



A
Shelf Leg
x1



B
Shelf Leg
x1



C
Shelf Leg
x1



D
Shelf Leg
x1



E
Support Rod
x2



I
Shelf
x1



H
Shelf
x1



G
Shelf
x1



F
Shelf
x1

what's included



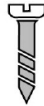
(J) - Flat Washer
($\text{\O}20\text{mm} \times \text{\O}8\text{mm}$)
x16



(O) - Allen Key
($\text{\O}4\text{mm} \times \text{\O}110\text{mm}$)
x1



(K) - Lock Washer
($\text{\O}15\text{mm} \times \text{\O}8\text{mm}$)
x16



(P) - Screw
x6



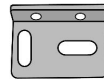
(L) - Bolt
(M6 x 18mm)
x16



(Q) - Wall Plug
x6



(M) - Bolt
(M6 x 40mm)
x4



(R) - Metal Bracket
x2



(N) - Bolt
(M6 x 10mm)
x4



(S) - Screw
(12mm)
x6

assembly instructions

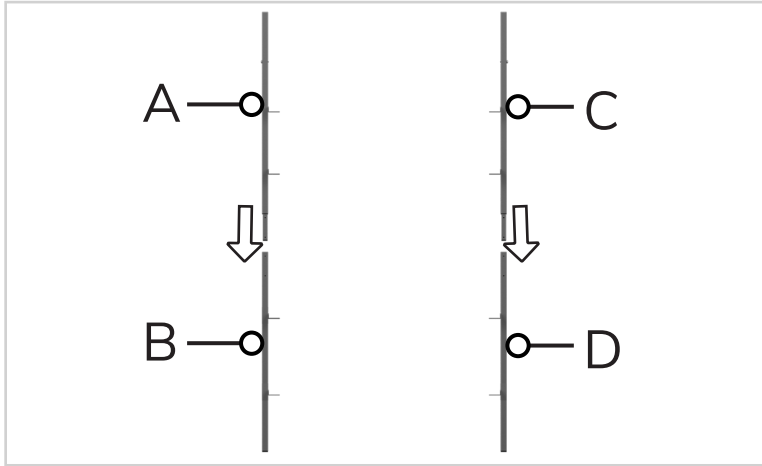
Friendly Tip: Take a deep breath going in. This may be a tricky part, but nothing too overwhelming. Just follow these steps to the T and the outcome will be worth it!



- ⓘ While assembling the product, tighten the bolts up to 50%. Once all parts are in place, only then fully tighten the bolts.

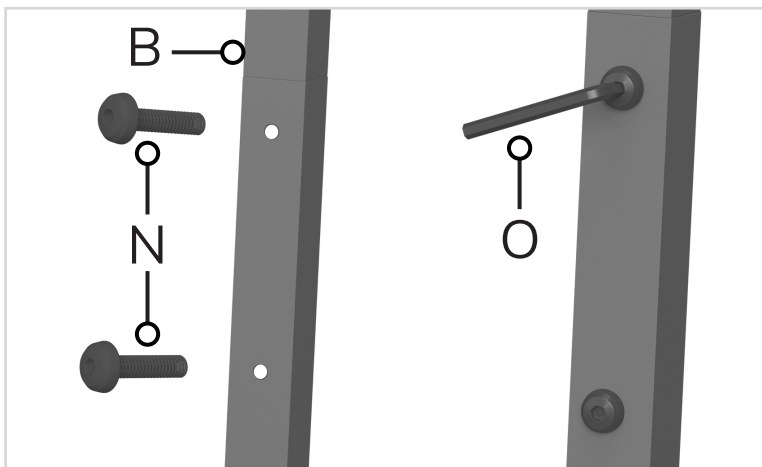
step 1:

Begin assembly by joining the support rods (A, B, C & D) to each other. (A) with (B) and (C) with (D) as shown in the image below.



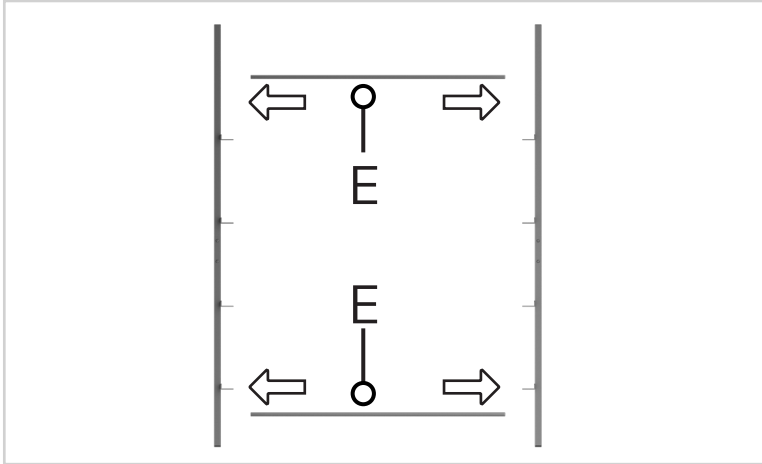
step 2:

Using the allen key (O), tighten screw (N) on holes in the support rods as shown below.



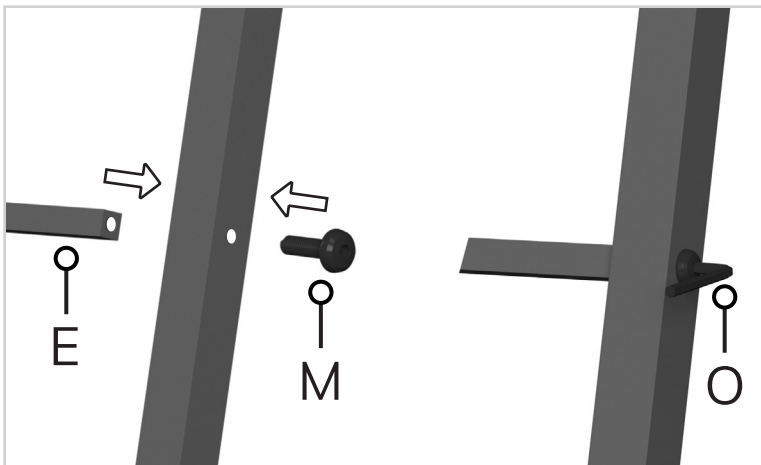
step 3:

Now add top and bottom rods (E) at the spaces highlighted below.



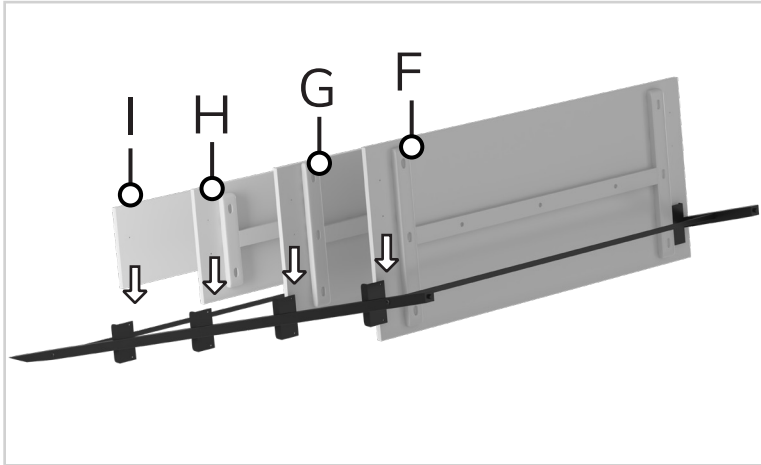
step 4:

Using the allen key (O), tighten screw (M) on holes in the support rods (E) as shown below. This will fix the support rods (E) to the shelf legs (A, C) (B, D).



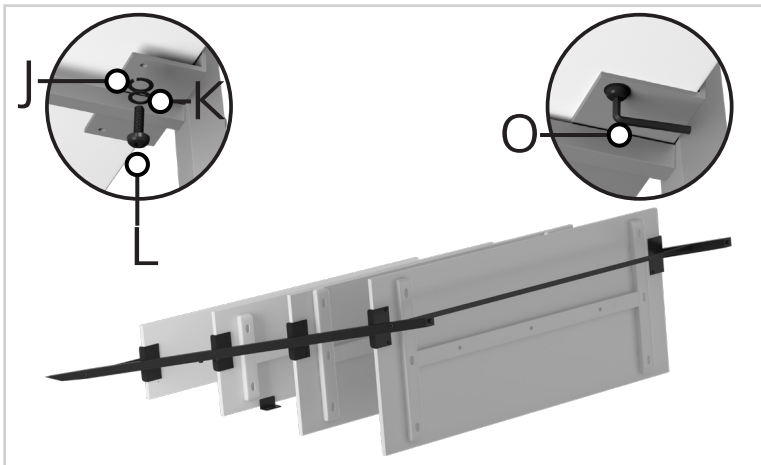
step 5:

Next, place the side legs (AB), (CD) on a flat surfaced carpet or cardboard. Align all shelves with the slots on legs (AB) and (CD) (in an alphabetical 'F-G-H-I' i.e from bottom to top) so that all shelves are facing up. This allows the shelves to assemble on an even plane so that the backs flush against the wall during installation.



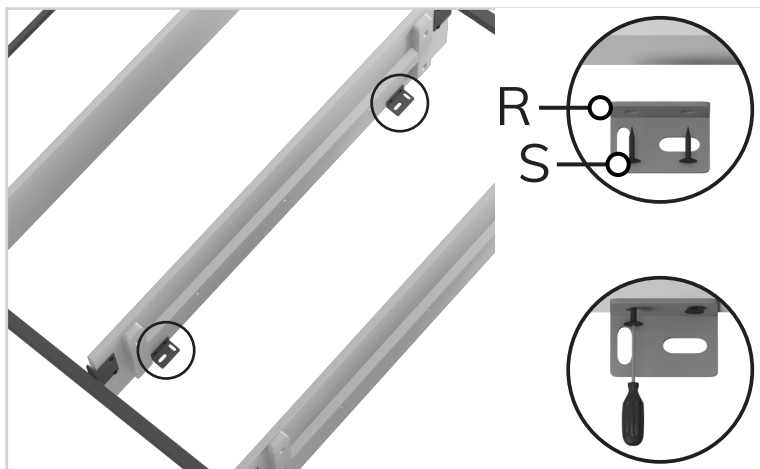
step 6:

Using Allen key (O), tighten flat washer (J), lock washer (K), and bolts (L) on holes in the support rods & fix the shelves (F, G, H & I) to the side legs (AB), (CD). Use the image as reference.



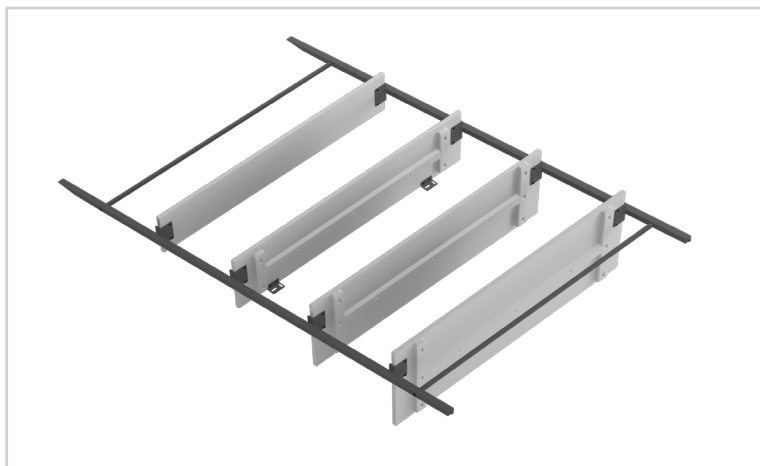
step 7:

Easy? Now, assemble the metal brackets (R) in predrilled holes under the second shelf (H) from the top as shown in the image. Use screws (S) to do this.



step 8:

And your shelf is ready for installation.



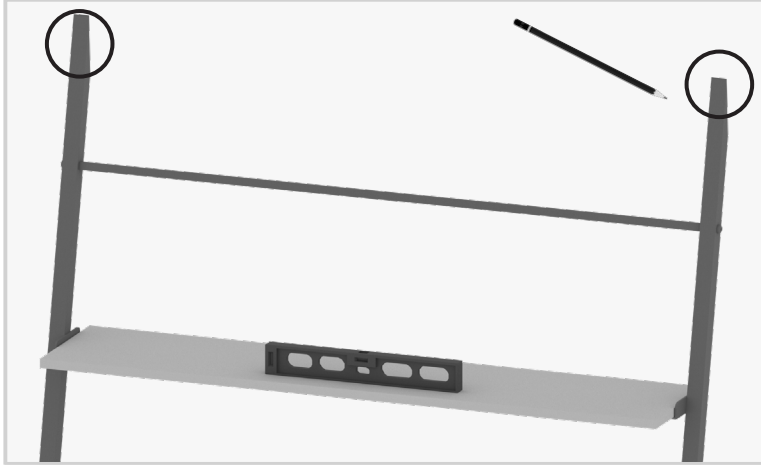
installation instructions



- ⓘ While assembling the product, tighten the bolts up to 50%. Once all parts are in place, only then fully tighten the bolts.

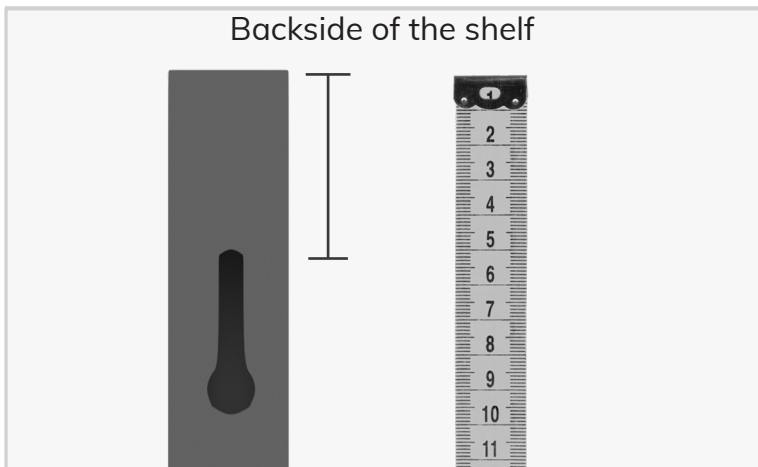
step 1:

Place the assembled ladder shelf against the wall and put a spirit level on the top plank to check alignment. Adjust if needed. Stand back to see if both the legs are in level with the wall. Then, taking this image as reference, mark the top of the legs on the wall.



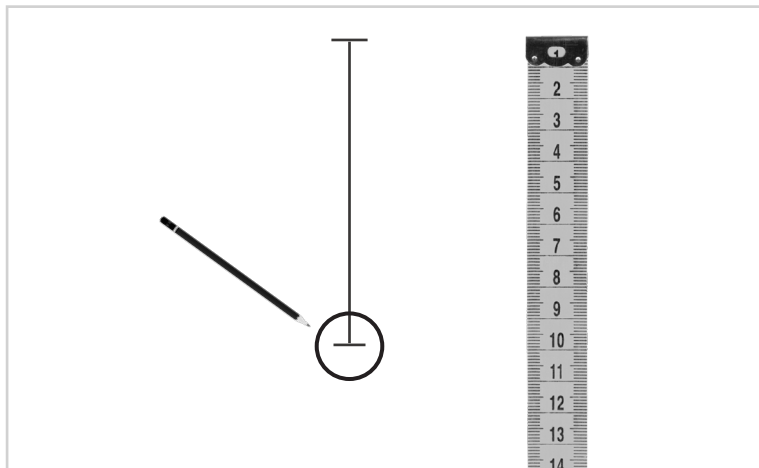
step 2:

Next, measure the distance between the top of the legs and the keyhole slots using a measuring tool.



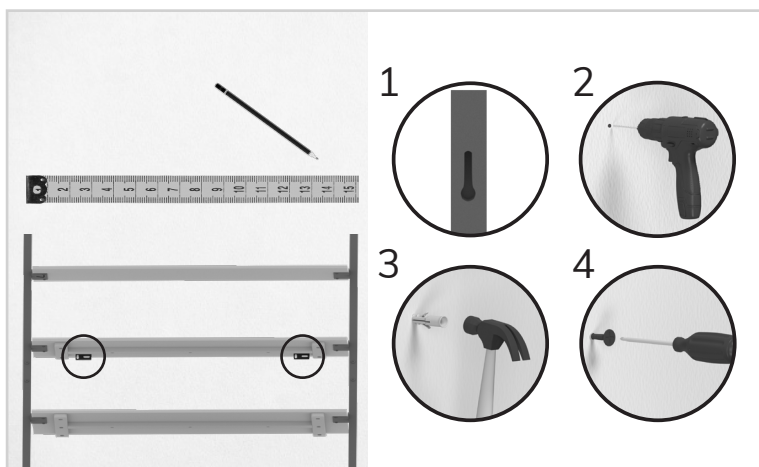
step 3:

Taking the distance on the measuring tool as reference from the first mark, make a second mark for drilling.



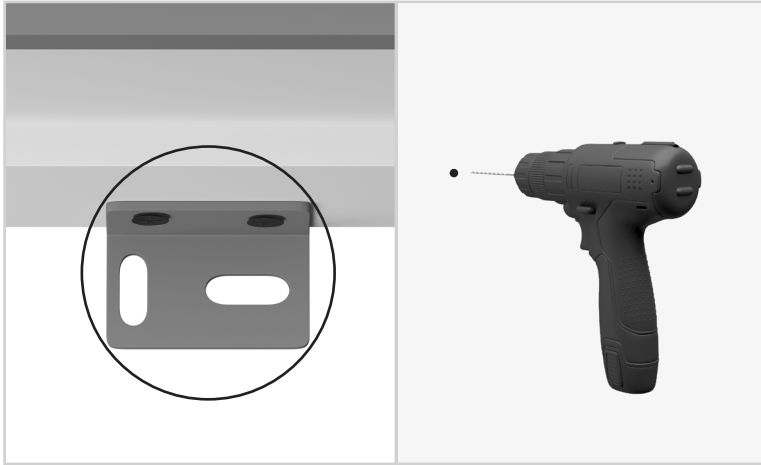
step 4:

Drill holes on the mark and insert wall plugs (Q) and screws (P). Now, align keyholes with the screws.



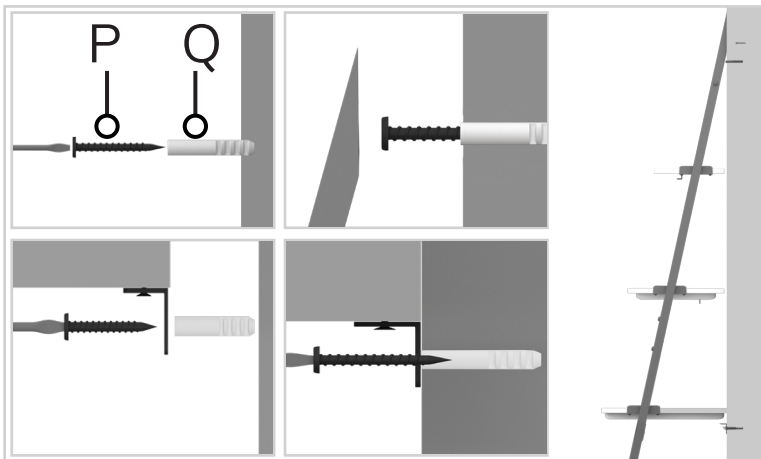
step 5:

Next, to install the assembled ladder shelf, make marks on the wall with the help of a pencil where you want to make holes. See the highlighted areas to understand



step 6:

Drill holes and insert the wall plugs (Q) completely in the wall. Now insert screws (P) and tighten using a screwdriver.





Voila! Your ladder shelf is now assembled and secure!

you've
got
a home
with us

