

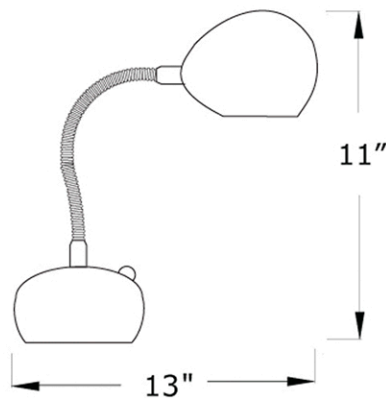
# Claylight Porcupine Desk Lamp



This porcupine shaped ceramic desk lamp emits a downwards task light and light textures around it. It has a touch dimmer knob on its base that turns it on or off with a short touch and dims it with a long touch.

The lamp shade is hand made of natural white ceramic and the lamp base is glazed in matte white.

It's an excellent reading light / work light or bedside light.



Lit image, Line pattern



Dot pattern



Day light image

**Lamp Base:** G6

**Wattage:** 10W

**Supplied bulb:** 6W LED

**Warranty:** 1 year

**Country of Manufacture:** USA

**Weight:** 10 - 13 lb.

**Listing:** All electrical parts are UL listed, UL listing is available upon demand.

**Base and Shade Material:** Hand made White ceramic.

**Finish:** Natural matte shade, glazed ceramic base.

**Flexible arm:** 11" long, brushed nuckel finish.

**Perforation Pattern:** Select either a line or dot pattern of perforation.

**Cord Cover Finish:** Braided white

**Cord Length:** 6'