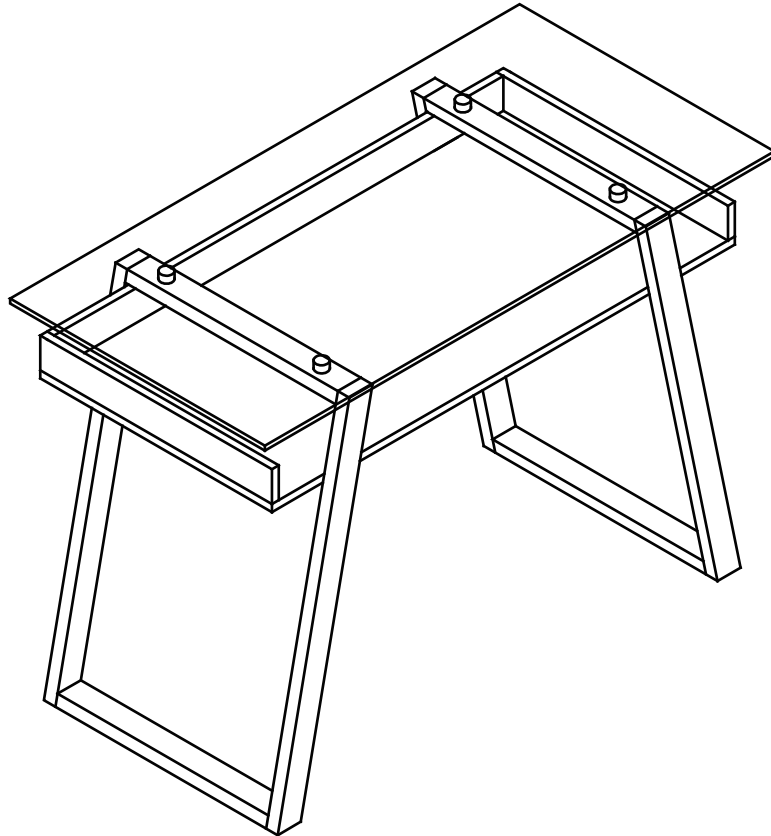


CONVENIENCE CONCEPTS

Oslo Sundance Desk
203096/203096BL



Assembly instructions

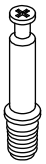
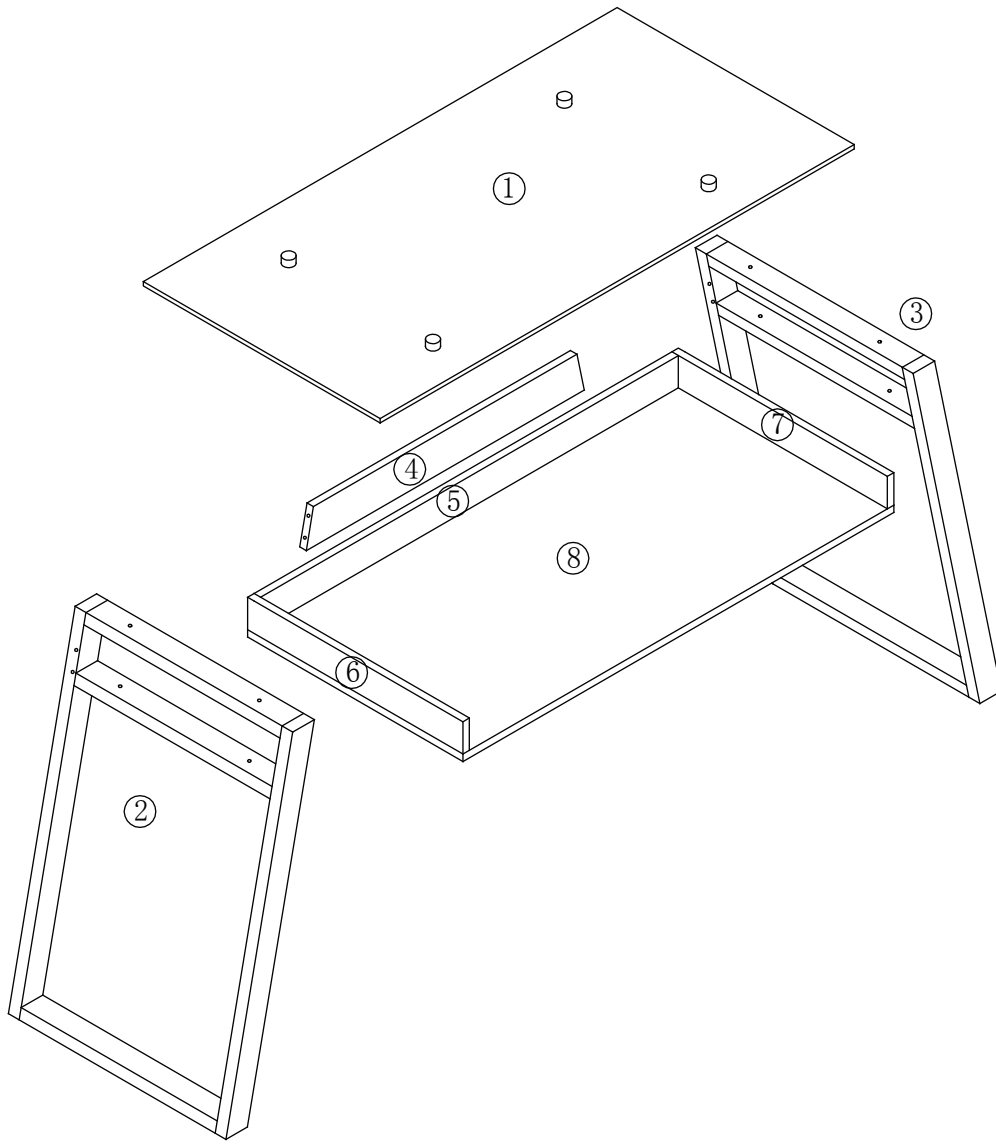
We have designed our furniture with you, the customer in mind. Our clear, easy to follow step by step instructions will guide you through the project from start to finish. Feel confident that this will be a fun and rewarding project. The final product will be a quality piece of furniture that will go together smoothly and give years of enjoyment.



Please do not return to the store
Broken or missing Hardware?
Need help with Assembly?

If you have any questions just call 1-800-468-6447 or email us at
parts@convenience-concepts.com

Special Note: We recommend the use of a hand held screwdriver to avoid the stripping of screw heads.



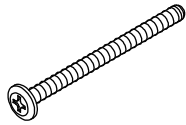
A x4

Cam Bolt



B x4

Cam Lock



C x4

Long Bolt



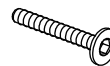
D x4

Barrel Nut



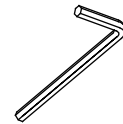
E x10

Screw



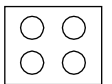
F x8

Allen Bolt



G x1

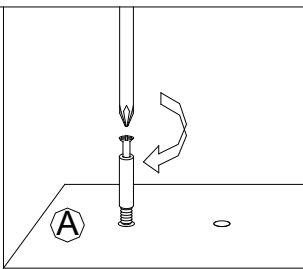
Allen Wrench



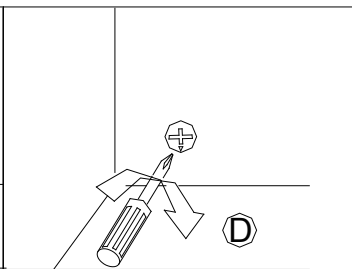
H x4

Stickers

Assembling the unit with cams and wood dowels.



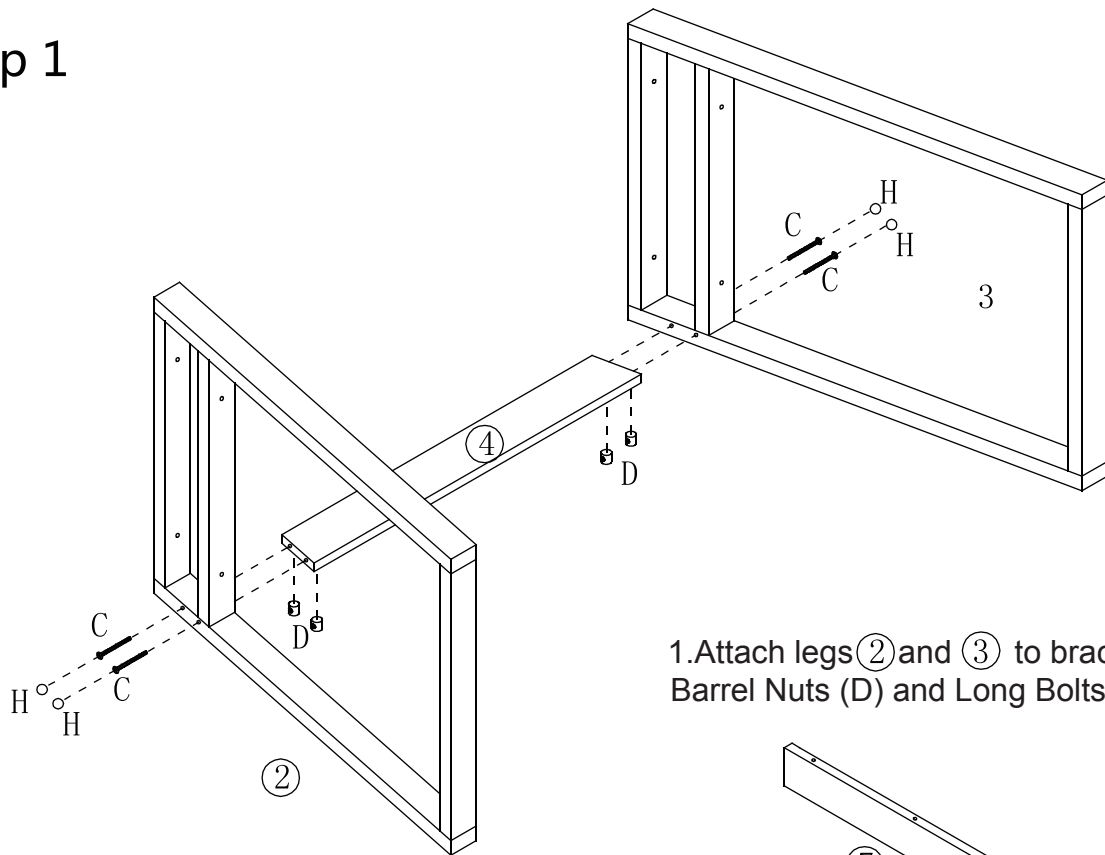
Gently screw cam bolt into the threaded anchor.



Insert cam lock with arrow pointing down. Screw the cam firmly into locked position.

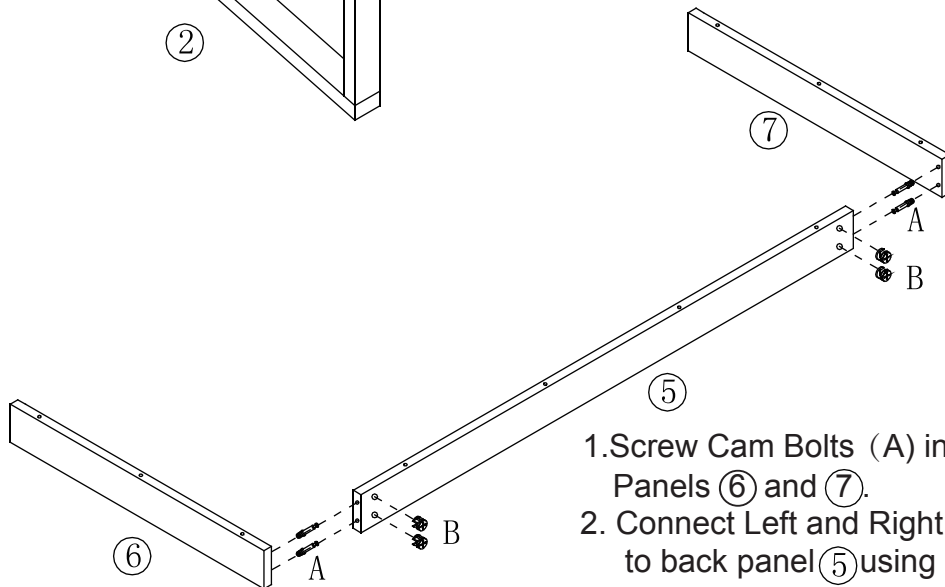
Note: Barrel nut (D) threads must face holes.

Step 1



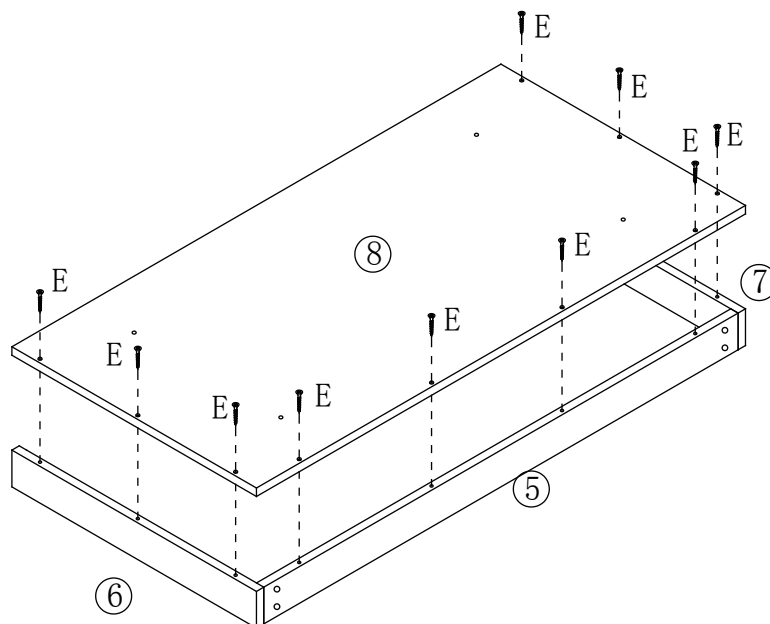
1. Attach legs ② and ③ to brace ④ using Barrel Nuts (D) and Long Bolts (C).

Step 2



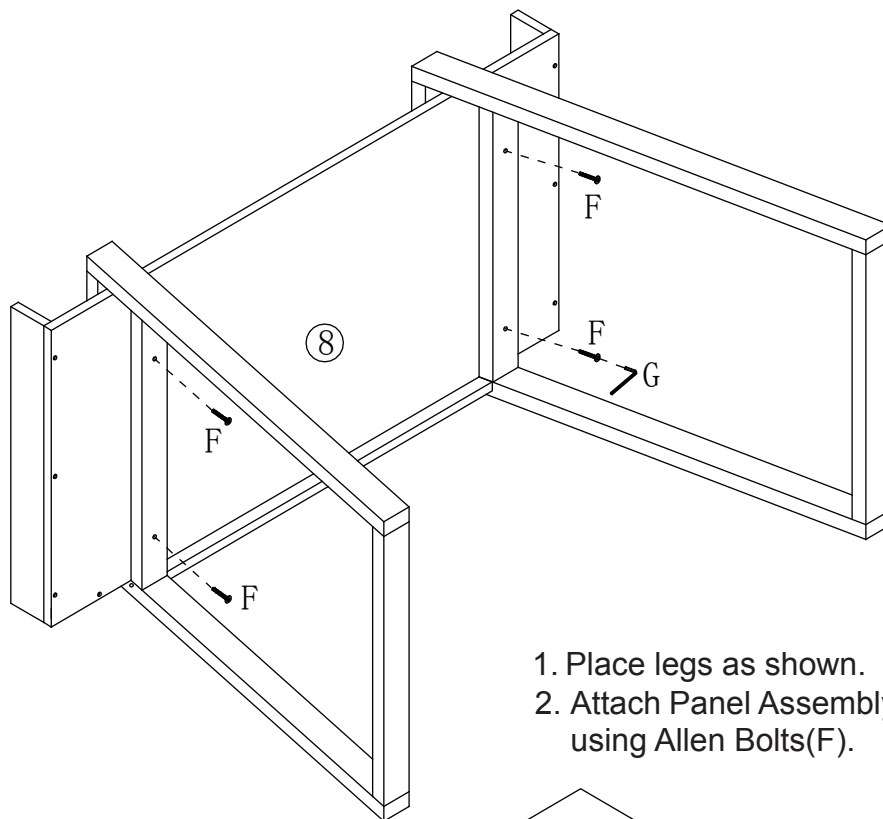
1. Screw Cam Bolts (A) into Left and Right Panels ⑥ and ⑦.
2. Connect Left and Right Panels ⑥ and ⑦ to back panel ⑤ using camlocks (B).

Step 3



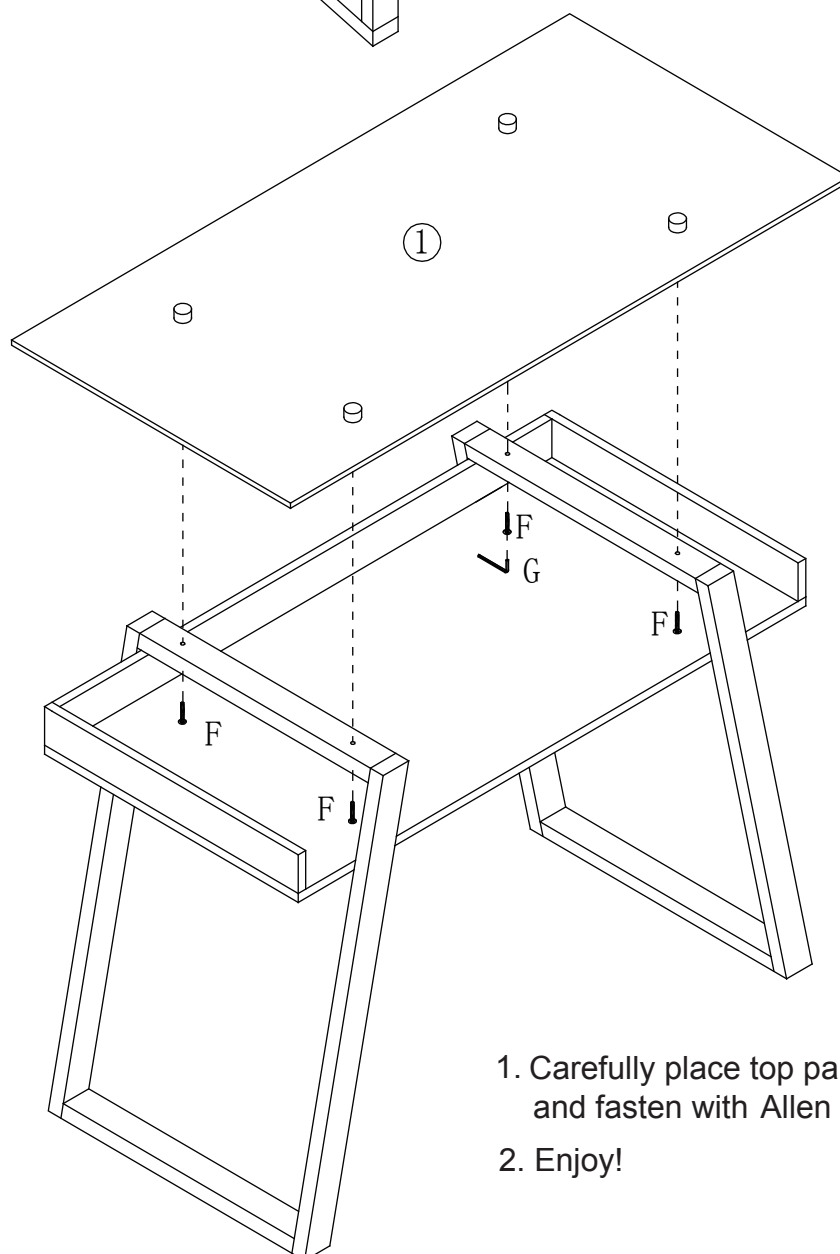
1. Attach panel ⑧ to assembly with screws (E).

Step 4



1. Place legs as shown.
2. Attach Panel Assembly to Leg assembly using Allen Bolts(F).

Step 5



1. Carefully place top panel ① onto assembly and fasten with Allen Bolts(F).
2. Enjoy!