






PREPARATION

Approximate Installation Time: 60 minutes

Tools Required for Installation:

- Hacksaw
- Electric Drill
- 3/16 Masonry Bit
- Pencil/Felt tip pen
- Safety Glasses
- Measuring Tape
- Masking Tape
- Standard Screw Driver
- Phillips Screw Driver
- Level
- Rubber Mallet
- Center Punch
- Clear Caulking or Sealant

PACKAGE CONTENT

	CST 900S	Sill	1
	CST 901	Dam Sill	1
	CST 903	Wall Jamb (Door Side)	1
	CST 965	Wall Jamb (Stationary Panel)	1
	C 914 C	Drip Rail	1
	C 956 C	Seal Vinyl (Strike Post)	1
	C180 C	Vinyl Strike Post	1
	6-8114 1329	Installation Screw & Anchor	6
	638 PHPT	Adjustment Screw	3
	CP 938	Setting Blocks	2
	CP 965 B	Wall Jamb Cap	2
	98-45	Magnet	1
	931 M	Door Strike	1
	C-5313-8	Ladder Pull / Handle	1
	C 955 B	Door Strike Vinyl	1
	C-5401	Support Bar (optional)	1
	C 951 B C 952 B	Front/Back Push-in Vinyl	1
	-	Glass Door Assembly	1
	-	Stationary Glass Panel Assembly	1

QUESTIONS



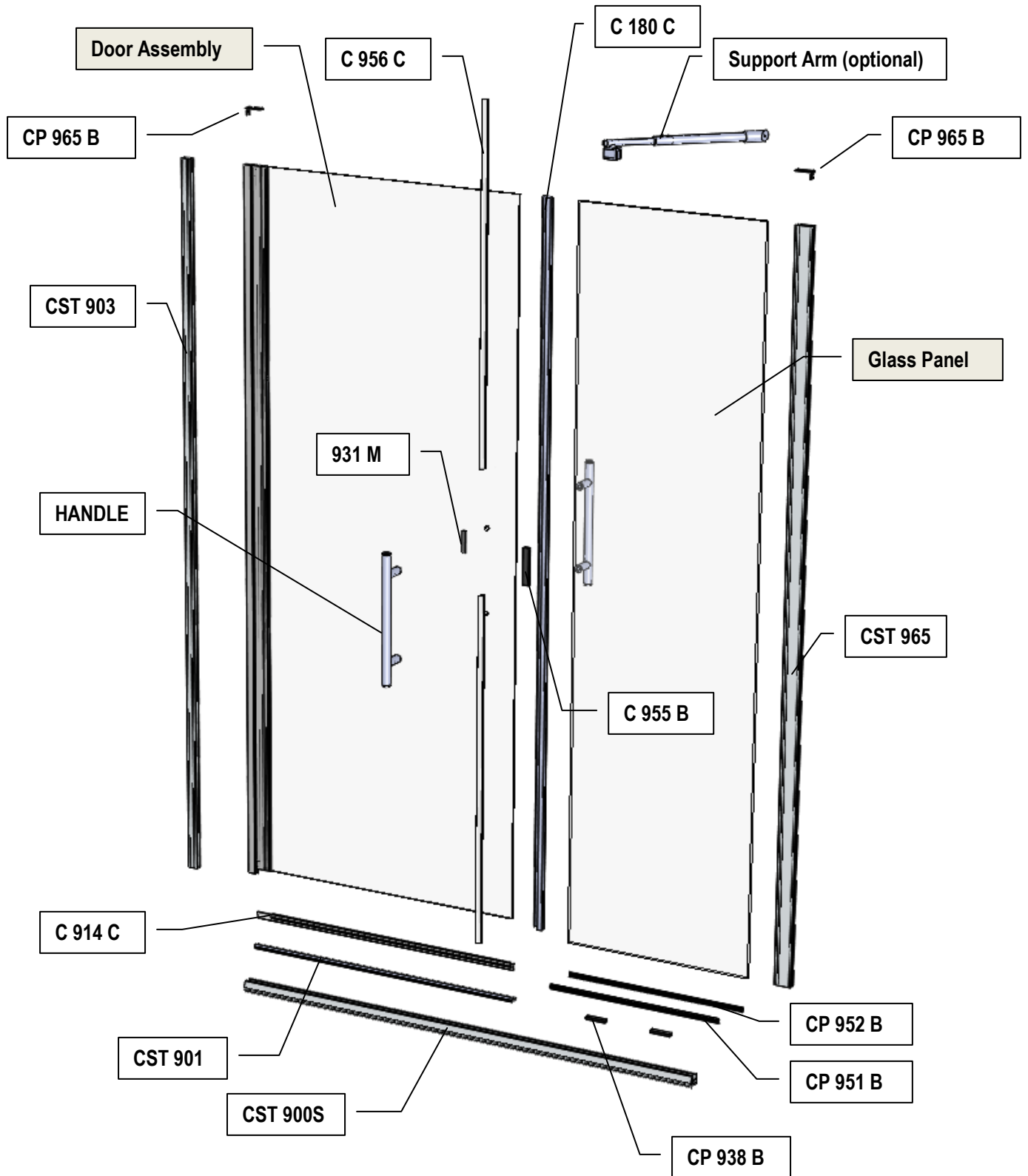
Before beginning installation of product, make sure all parts are present. Compare parts with package contents list and diagram above. If any part is missing or damaged, do not attempt to install the product.

Contact customer service for replacement parts.

Please call our customer service department at 1-800-874-8601, 8 am - 5 pm EST, Monday to Friday

Find also online “How to Install” at : <https://www.youtube.com/watch?v=jkbFmVfsMZs&feature=youtu.be>

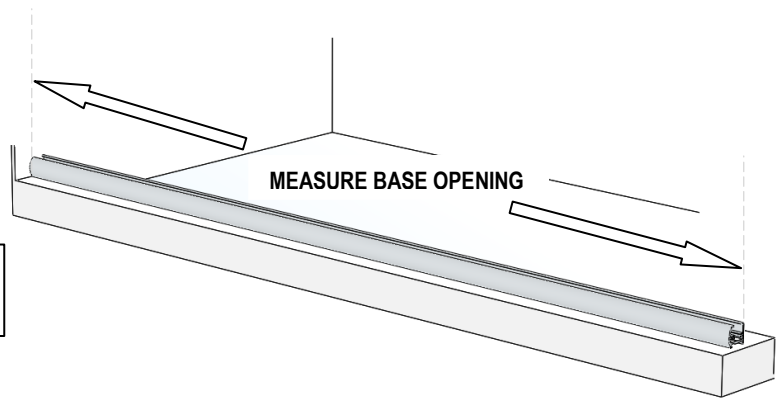
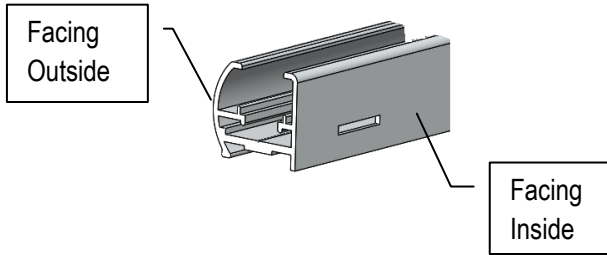
**"ILLUSION" FRAMELESS SHOWER ENCLOSURE
INSTALLATION INSTRUCTIONS**



**“ILLUSION” FRAMELESS SHOWER ENCLOSURE
INSTALLATION INSTRUCTIONS**

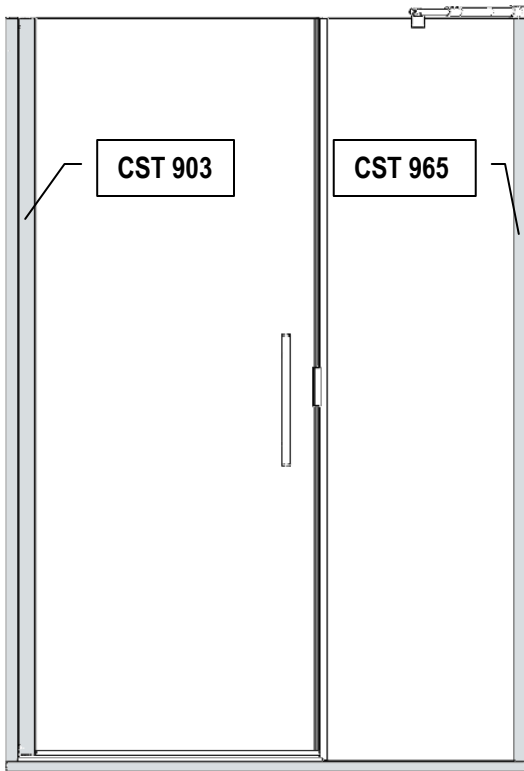
Measure the base opening along center of shower curb as shown, then trim sill CST 900S to 1/16” less than measurement obtained.

STEP 1. POSITION SILL AT CENTER OF SHOWER CURB

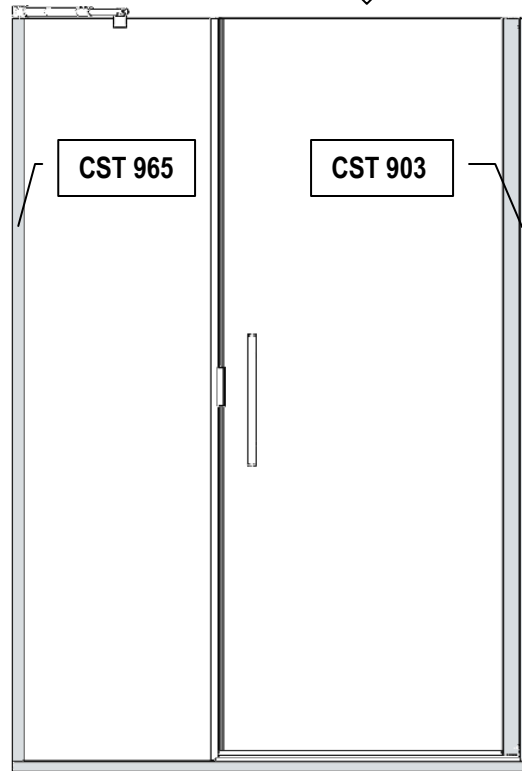


STEP 2. IDENTIFY DOOR LOCATION. DEFAULT PRE-ASSEMBLED DOOR ON LEFT SIDE

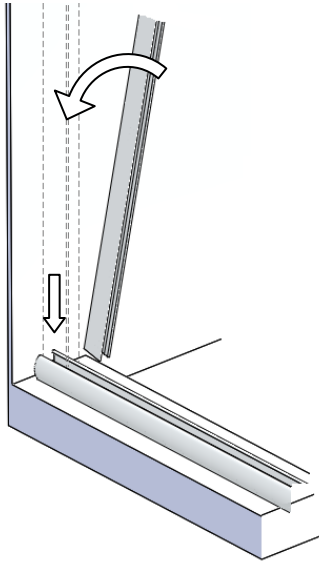
DOOR ON LEFT SIDE.



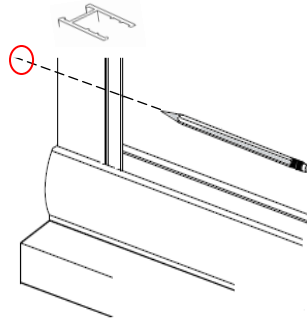
DOOR ON RIGHT SIDE.



STEP 3. PLACE WALL JAMBS AGAINST SHOWER WALLS



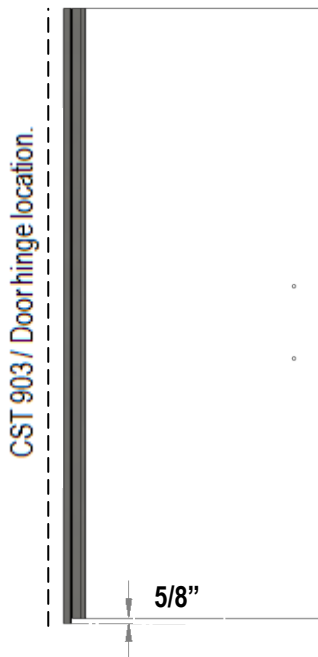
- Temporarily tape the sill CST 900S to shower curb to prevent movement.
- Place Wall Jambs (CST903 & CST 965) up against shower walls, according with door configuration selected.
- Pencil mark the installation for holes location on shower walls (3 per jamb).



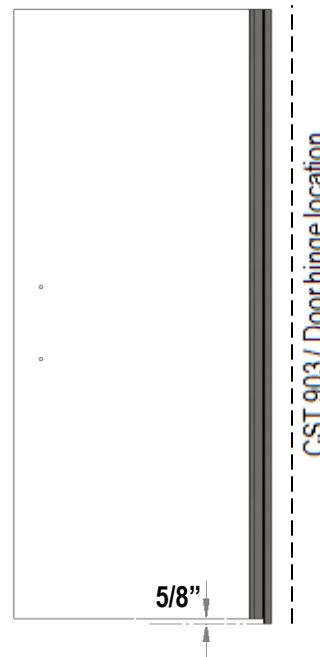
- Drill holes using 3/16" bit.
- Insert plastic screw anchors and secure Jambs to walls using the 1-1/4" installation screws

Note: CST 903 Wall Jamb is always positioned on door hinge location.

STEP 4. DOOR CONFIGURATIONS



DOOR ON LEFT SIDE (DEFAULT)



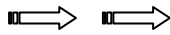
DOOR ON RIGHT SIDE (see instructions)

NOTE: Door assembly is by default pre-assembled for **LEFT SIDE** location. Conditions:

- door always open to the exterior of shower enclosure.
- 5/8” difference on the bottom of the hinge

Please follow the instructions below in order to set-up a RIGHT SIDE mounting door.

Hinge On Left Side

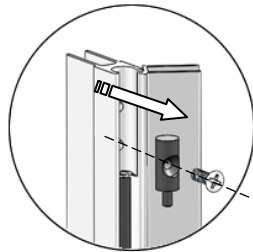
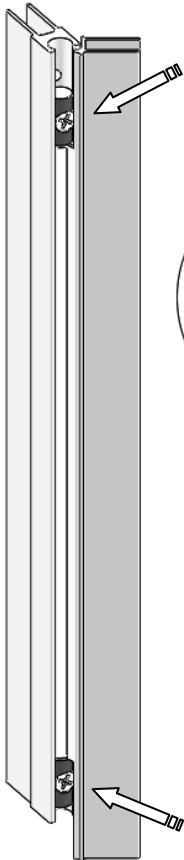


Follow the steps below to change into

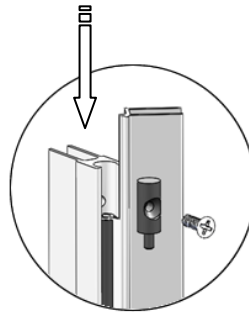


Hinge On Right Side

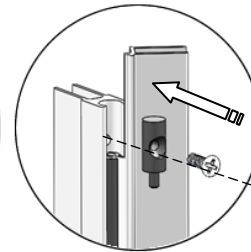
Locate the screws
top and bottom of
the hinge.



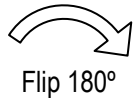
Remove screw and
pin top / bottom.



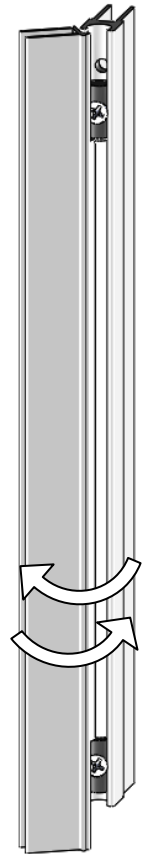
Locate the holes
above and move
5/8” for new
position



Install the pins back
into new location on
top / bottom

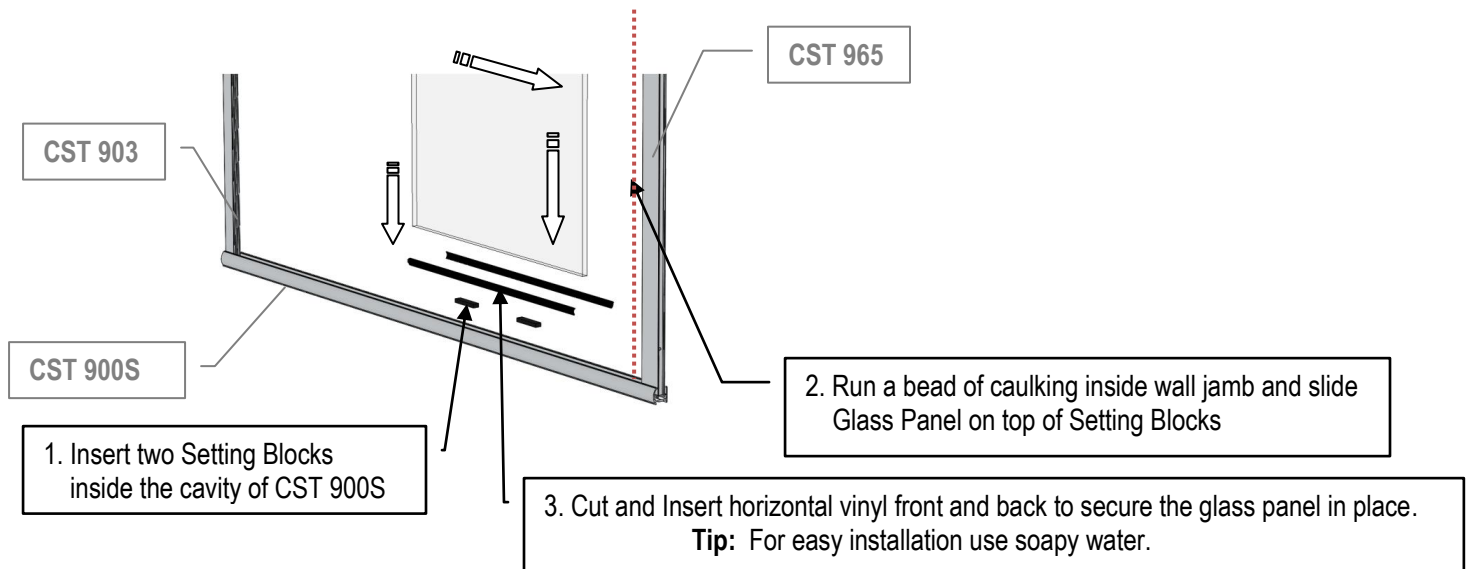


Flip 180°



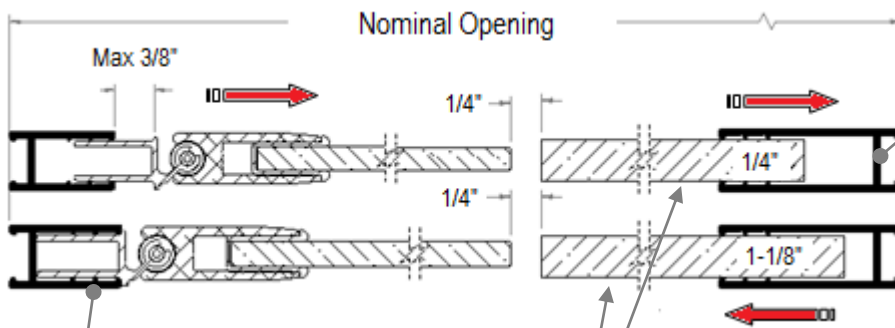
Make sure the new
hinge position works
properly

STEP 5. INSTALL STATIONARY GLASS PANEL.



Note:

According with your nominal opening, Stationary Glass Panel will penetrate inside Wall Jamb (CST 965) from 1/4" up to 1-1/8"
Check the adjustment necessary for Door Hinge / Wall Jamb (CST903) Max: 3/8" and the gap required between the Door Panel and Stationary Glass Panel (1/4")



CST 903

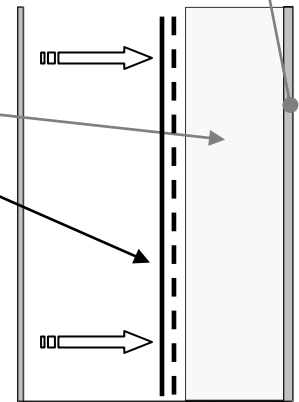
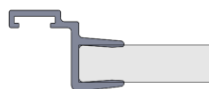
Stationary Glass Panel

CST 965

CST 965

4. Install Vinyl Strike C 180-C onto exposed edge of the Glass Panel
Make sure Vinyl Strike is firmly seated all the way onto the Glass Panel.

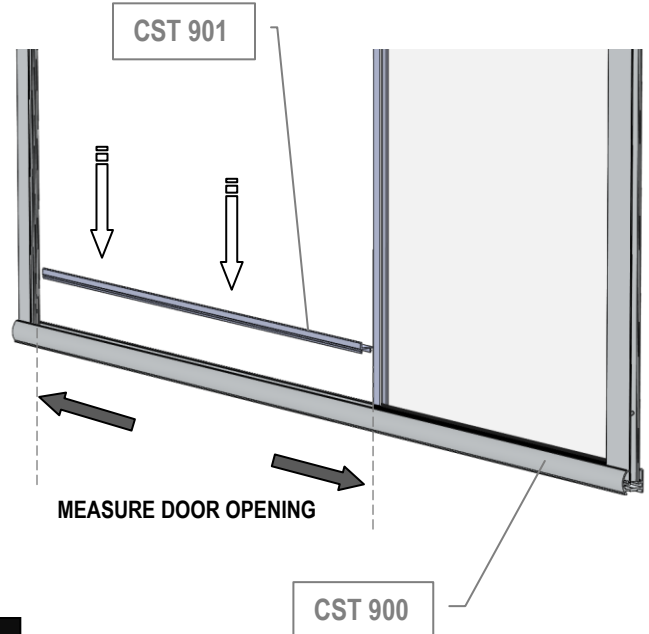
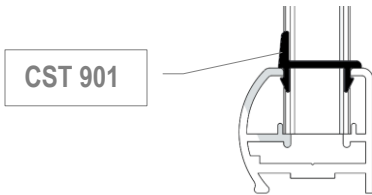
C 180-C



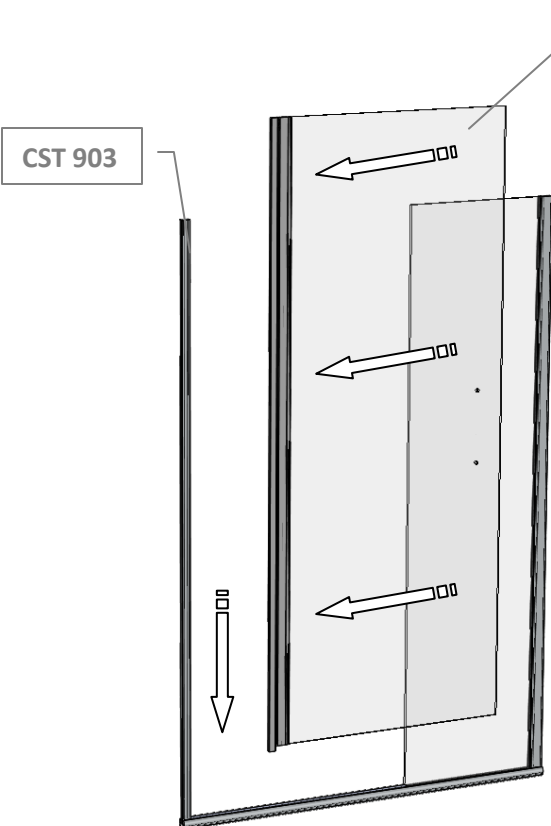
STEP 6. TRIM AND PLACE DAM SILL COVER

Measure door opening from the edge of Wall jamb to the edge of Glass Panel. Trim Dam Sill CST 901 as required and snap into CST 900S.

Note: Upright Lip CST 901 toward the outside of enclosure.



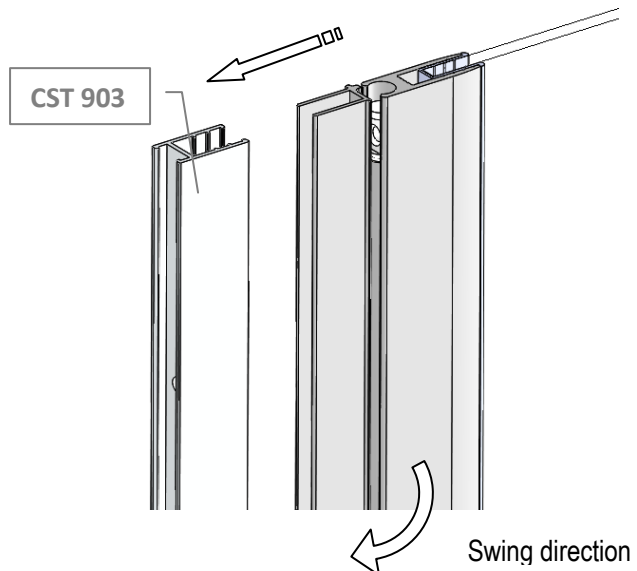
STEP 7. INSTALL DOOR ASSEMBLY.



DOOR ASSEMBLY

➤ Insert door hinge into Wall Jamb CST 903

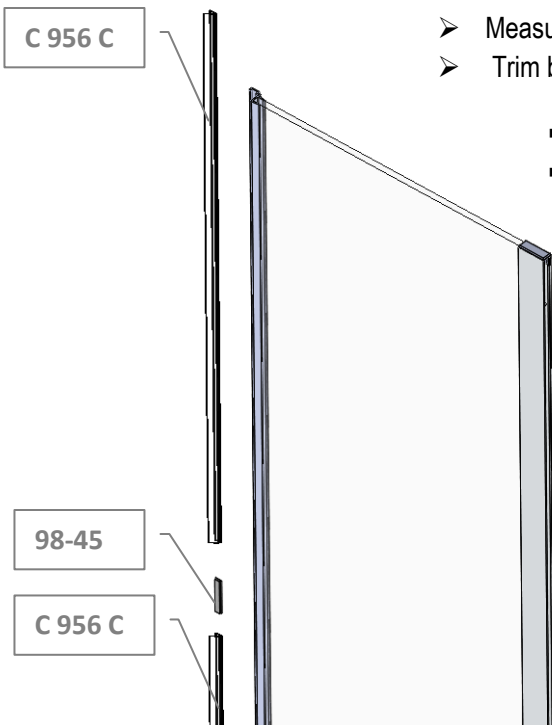
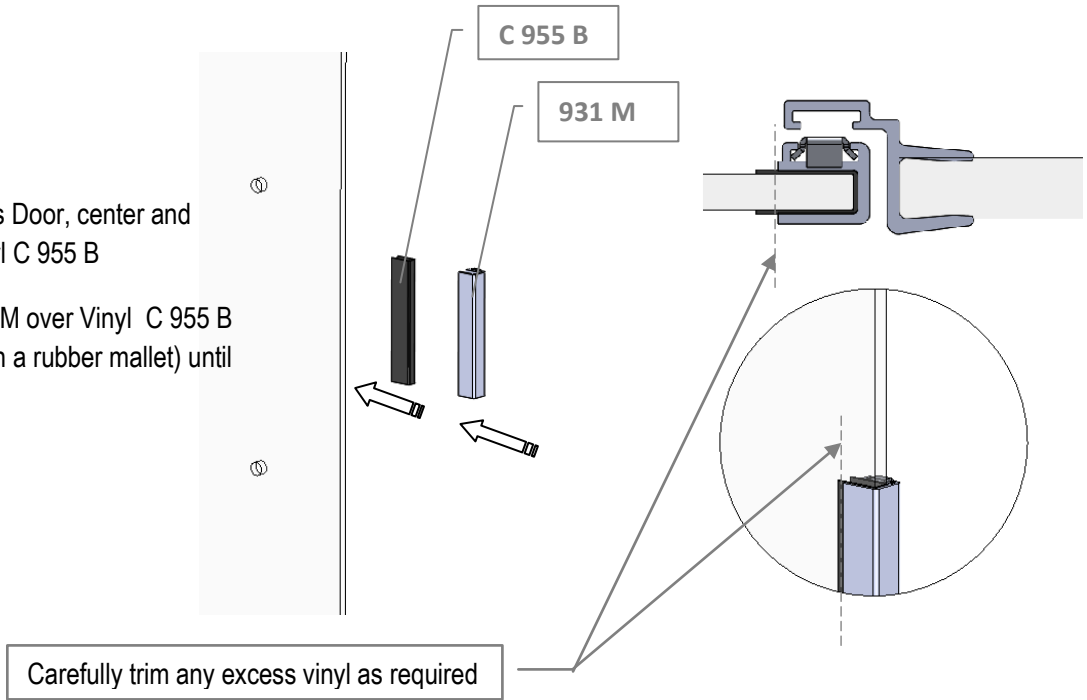
Note: Door swings toward the outside of enclosure.



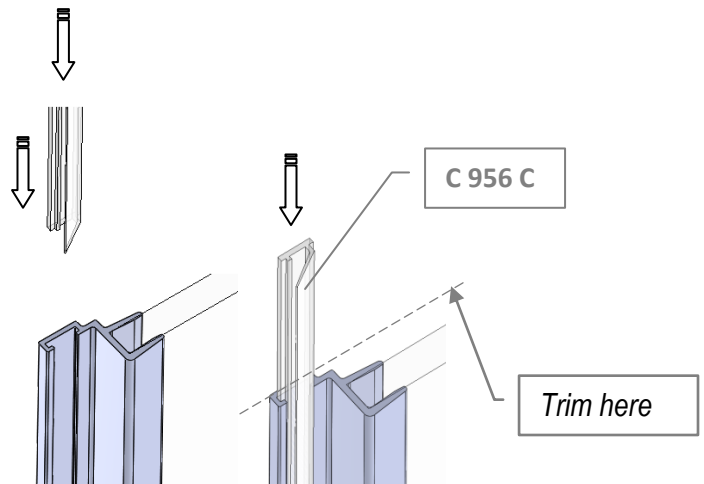
STEP 8. INSERT DOOR/STRIKE POST VINYL & MAGNET

On strike edge of glass Door, center and install Door Strike Vinyl C 955 B

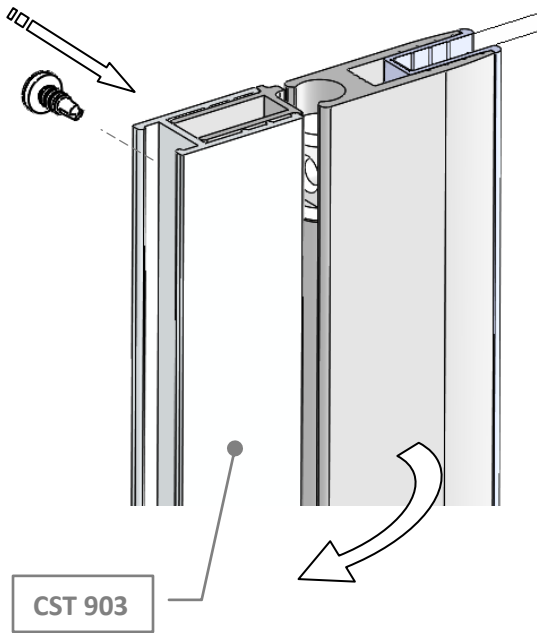
Place Door Strike 931 M over Vinyl C 955 B and tap into place (with a rubber mallet) until Strike is firmly seated.



- Measure from bottom of Vinyl Strike Post to the bottom of the Door Strike (931 M)
- Trim bottom Seal Vinyl C956 C with **1/2" more** than measurement obtained.
- Insert trimmed Seal Vinyl and Magnet Strip (98-45) into Vinyl Strike Post.
- Finally, insert remaining Seal Vinyl and trim top excess as required.

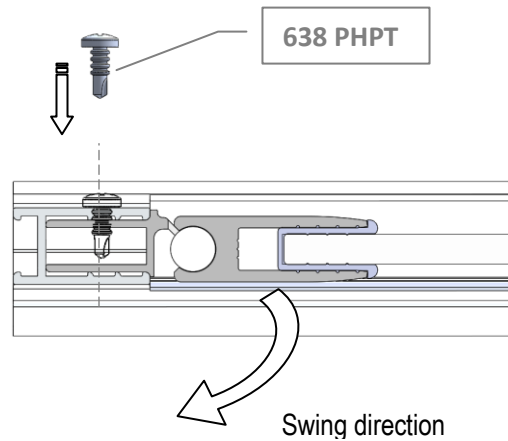


STEP 9. SECURE IN PLACE DOOR ASSEMBLY.

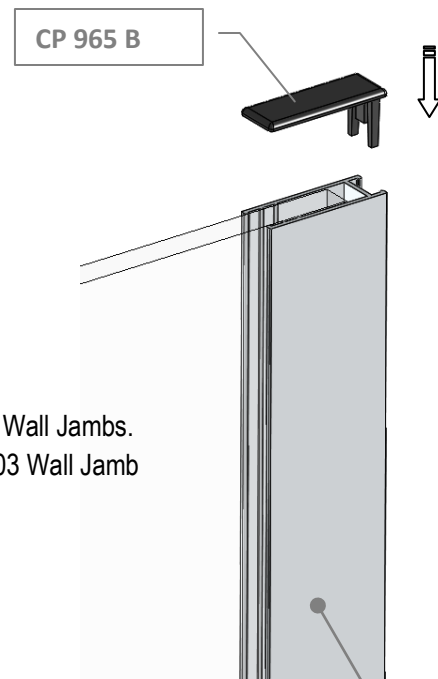
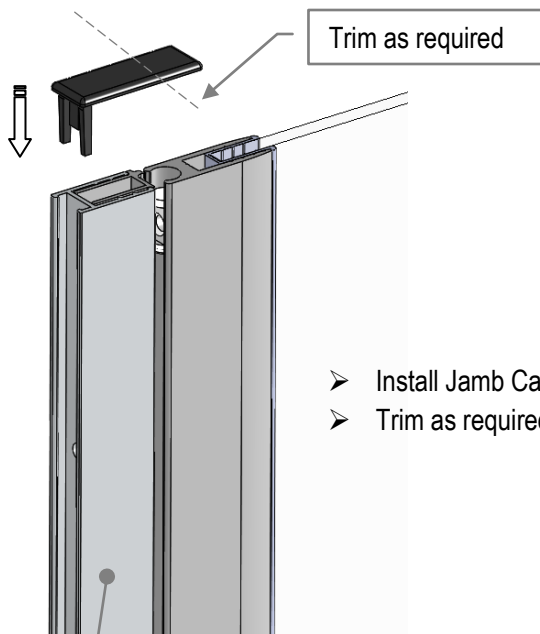


When satisfied with door operation, secure Hinge Post to the Wall Jamb (CST 903) using three 638PHPT Adjustment Screws

From the inside of enclosure install three (3) Adjustment Screws about 3" from top/bottom and center



STEP 10. INSTALL JAMB CAPS

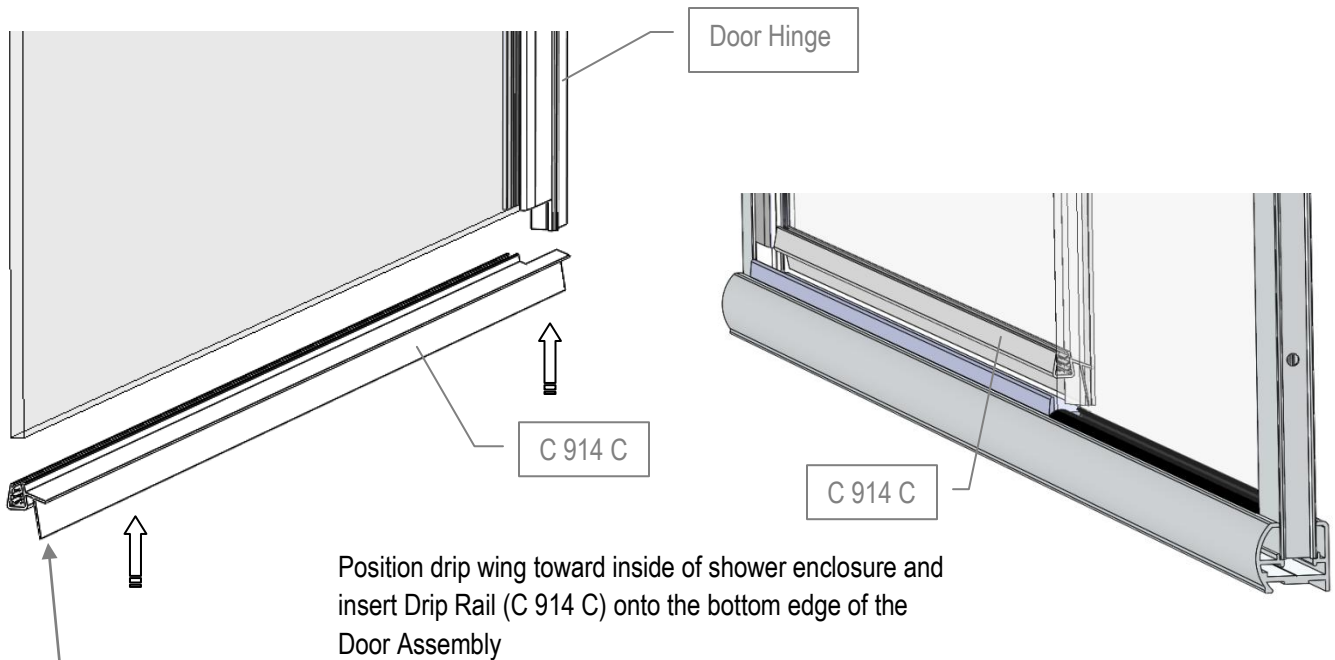


- Install Jamb Caps (CP 965) on both Wall Jamb.
- Trim as required one end for CST 903 Wall Jamb

CST 903

CST 965

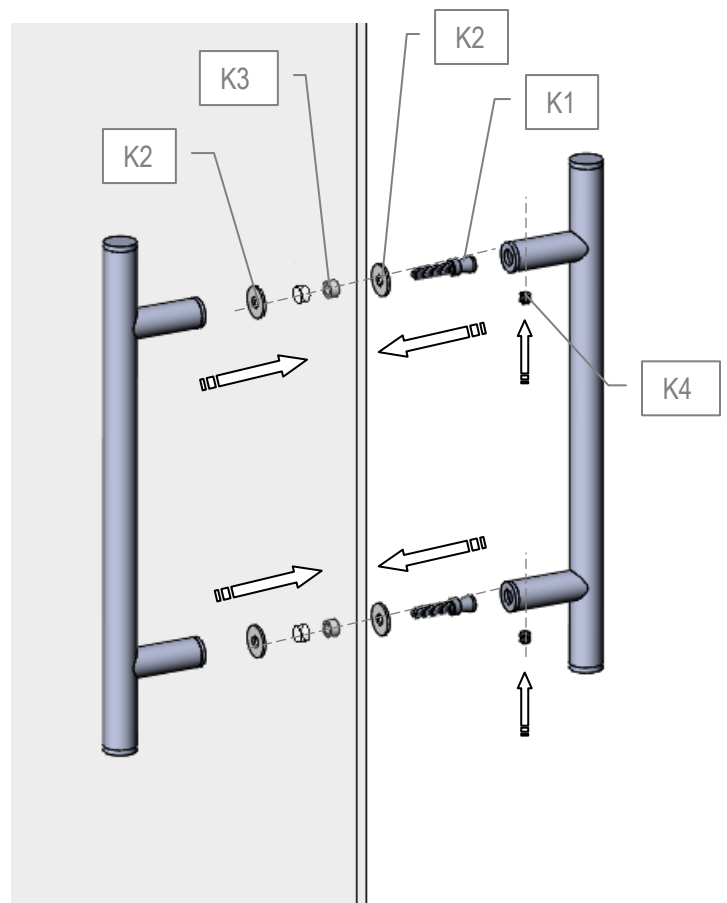
STEP 11. INSERT DRIP RAIL



Trim as required and notch 9/16" to fit into Vinyl Strike C 180 C when door is closed

STEP 12. INSTALL LADDER PULL

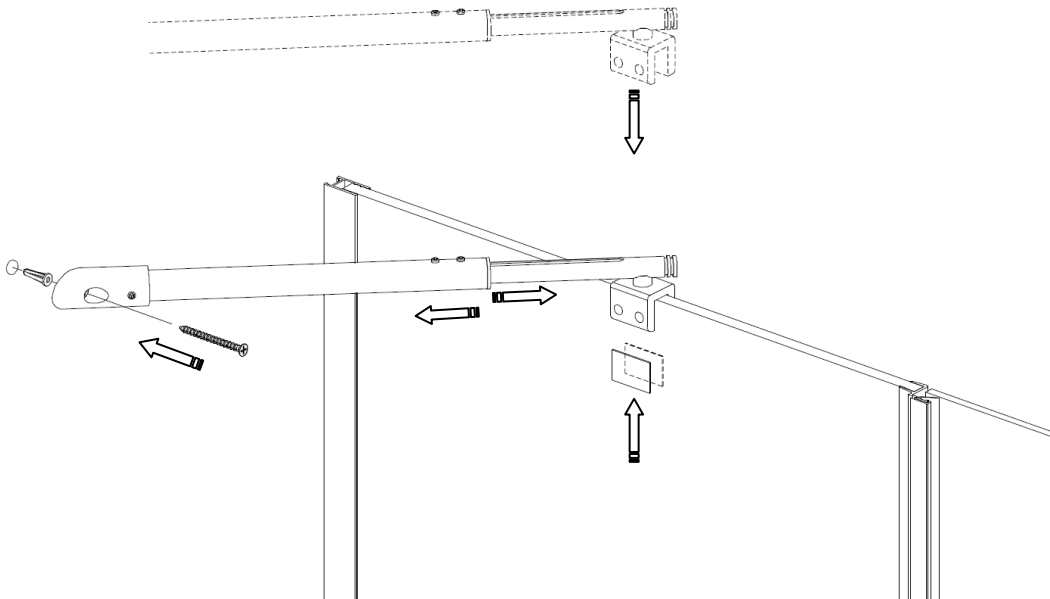
- Slip a Washer (K2) and Sleeve Bushing (K3) onto the Ladder-Pull Screw (K1).
- Insert into the glass hole from the inside of enclosure, attach the other Washer (K2) and outside Ladder-Pull Handle
- Hand tighten the screw and repeat steps for bottom section.
- Take inside Handle and insert into Ladder-Pull Screw (K1) heads. Finish installation by tightening down the two set screws (K4).



STEP 13. INSTALL SUPPORT BAR (Optional)

Note: Support Bar is included with all LHL 5775 Models. It is not included on LHL 4575 Models.

- Position the bracket over the top of Stationary Panel using the vinyl pads, protecting the glass on both sides.
Note: The further from the wall the more secure the panel will be.
- Adjust bar position and mark hole location.
- Insert plastic screw anchor and secure Support Bar to the wall using the hardware provided.
- Lock in place adjusted bar using the two set screws located on top of the bar .



STEP 14. LEAK PROOF YOUR INSTALLATION

- To complete the installation, run a bead of clear mildew resistant caulking around outside perimeter of the unit. Follow manufacturer's instructions before using shower.