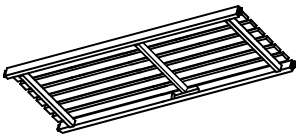
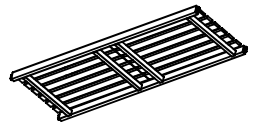
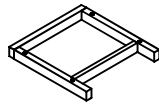

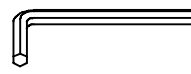


Part List

PIECE	DESCRIPTION	PICTURE	QUANTITY
A	Seat		1x
B	Tray		1x
C	Side part		2x

Hardware List

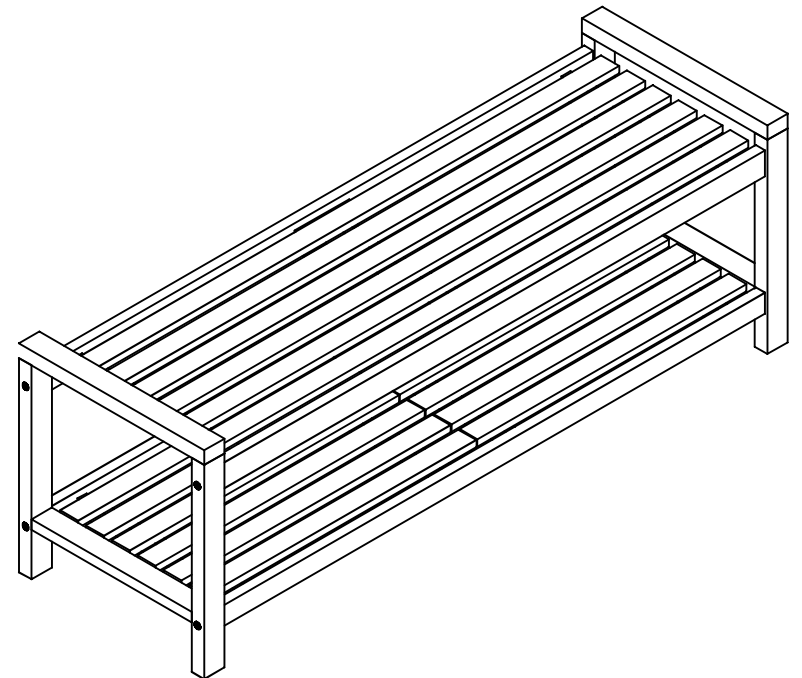
PIECE	DESCRIPTION	PICTURE	QUANTITY
HW1	Allen screw	 M6x80	8x
HW2	Allen Key		1x

JY

JONATHAN Y

MODEL# BNH102

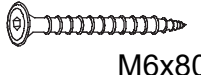
Product Dimension: 50.79" L x 16.14"D x 17.32"H

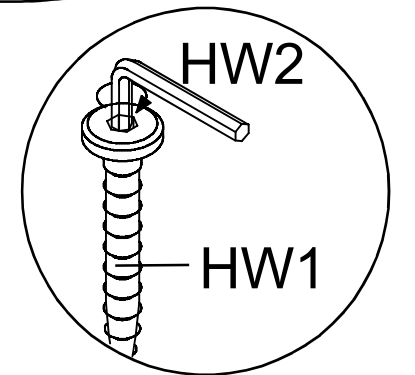
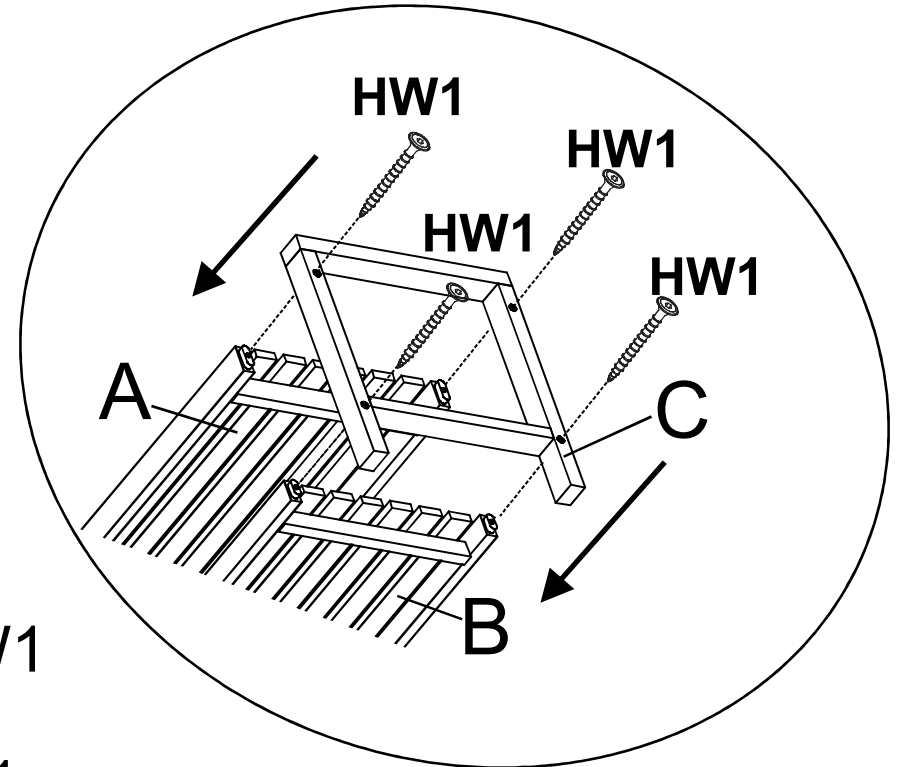
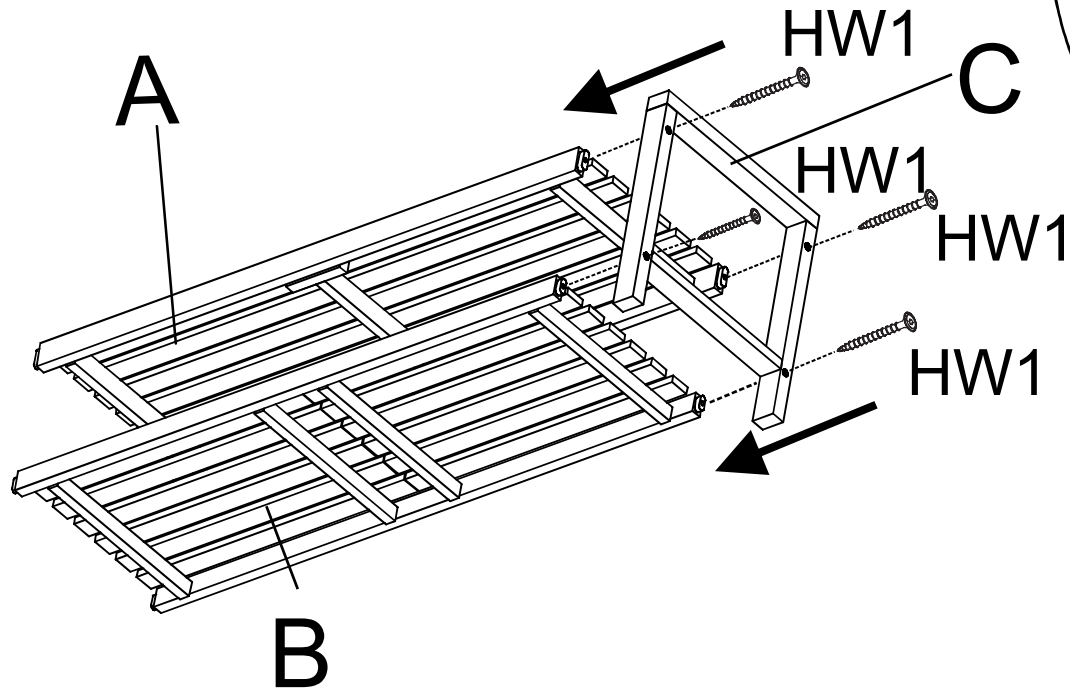


PREPARATION

Tool required for assembly (included): Allen Key.

1

HW1		4x
-----	---	----



Step 1: Attach the Side (C) to the Seat (A) and the Tray (B) as shown on the picture .Using the Allen screw (HW1) to fix the Side (C) to the Seat (A) , the Tray (B) by the Allen key (HW2) .

PREPARATION

Tool required for assembly (included): Allen Key.

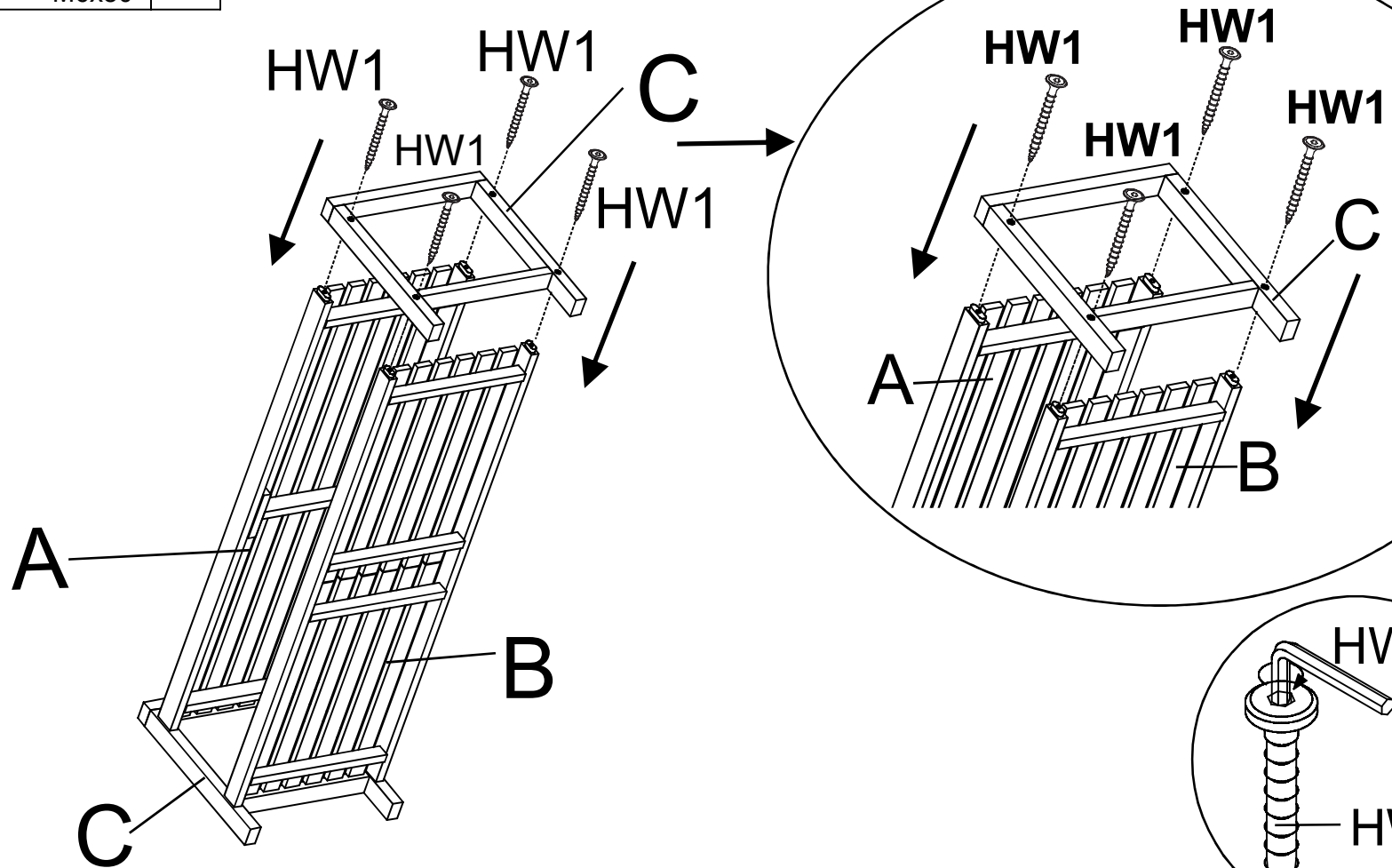
2

HW1



4x

M6x80



Step 2: Attach the Side (C) to the Seat (A) and the Tray (B) as shown on the picture .Using the Allen screw (HW1) to fix the Side (C) to the Seat (A) , the Tray (B) by the Allen key (HW2) .